

# HZL - 353Z, 355Z, 357Z Series

## INSTRUCTION MANUAL INSTRUKCJA OBSŁUGI NÁVOD K OBSLUZE KULLAN M K LAVUZU

**Attention**

Please read this instruction manual before using the machine as it contains important operational and safety information.  
Keep this manual accessible so that you may refer to it at anytime while operating the machine.

**Attention**

Please read this instruction manual before using the machine as it contains important operational and safety information.  
Keep this manual accessible so that you may refer to it at anytime while operating the machine.

**Attention**

Please read this instruction manual before using the machine as it contains important operational and safety information.  
Keep this manual accessible so that you may refer to it at anytime while operating the machine.

**Attention**

Please read this instruction manual before using the machine as it contains important operational and safety information.  
Keep this manual accessible so that you may refer to it at anytime while operating the machine.

## “IMPORTANT SAFETY INSTRUCTIONS”

---

When using an electrical appliance, basic safety precautions should always be followed, including the following: Read all instructions before using this sewing machine.

### “**DANGER** \_\_\_\_ To reduce the risk of electric shock:”

1. The appliance should never be left unattended when plugged in.
2. Always unplug this appliance from the electric outlet immediately after using and before cleaning.


### “**WARNING** \_\_\_\_ To reduce the risk of burns, fire, electric shock, or injury to persons:”

1. Do not use the appliance as a toy. Caution is advised when the appliance is used by children, or near children. This sewing machine can be used by children aged from 8 years and above and persons with reduced physical, sensory or mental capabilities or lack of experience and knowledge if they have been given supervision or instruction concerning use of the sewing machine in a safe way and understand the hazards involved. Children shall not play with the sewing machine. Cleaning and user maintenance shall not be made by children without supervision.
2. Use this appliance only for its intended use as described in this manual. Use only attachments recommended by the manufacturer as contained in this manual.
3. Never operate this appliance if it has a damaged cord or plug, if it is not working properly, if it has been dropped or damaged, or dropped into water. Return the appliance to the nearest authorized dealer or service center for examination, repair, electrical or mechanical adjustment.
4. Never operate the appliance with any air openings blocked. Keep ventilation openings of the sewing machine and foot control free from the accumulation of lint, dust, and loose cloth.
5. Keep fingers away from all moving parts. Special care is required around the sewing machine needle.
6. Always use the proper stitch plate. The wrong plate can cause the needle to break.
7. Do not use bent needles.
8. Do not pull or push fabric while stitching. It may deflect the needle causing it to break.
9. Switch the sewing machine off ("O") when making any adjustments in the needle area, such as threading needle, changing needle, threading bobbin, or changing presser foot.

10. Always unplug the machine from the electrical outlet when removing covers, when lubricating or when making any other user servicing adjustments mentioned in the instruction manual.
11. Never drop or insert any object into any opening.
12. Do not use outdoors.
13. Do not operate where aerosol (spray) products are being used or where oxygen is being administered.
14. To disconnect, turn all controls to the off ("O") position, then remove plug from outlet.
15. Do not unplug by pulling on cord. To unplug, grasp the plug, not the cord.
16. Basically, the machine should be disconnected from the electricity supply when not in use.
17. If the power cord of this appliance is damaged, it must be replaced with a special cord by your nearest authorized dealer or service center.
18. (Except USA/Canada) This machine is provided with double insulation. Use only identical replacement parts. See instructions for servicing Double-Insulated machine.
19. When you sew slowly for long time, machine will have heat or unusual smell occurs. In this case, disconnect the plug from the wall outlet and use it after a while. Contact your nearest dealer if it still occurs.
20. Don't use the machine if it's wet or in humid environment.
21. The sewing machine is equipped with a LED lamp. If the LED lamp is broken, it must be replaced by the manufacturer or its service agent in order to avoid a hazard.
22. Never place anything on the foot control.
23. The machine must only be used with foot controller type KD-2902/FC-2902D.
24. The sound pressure level under normal operating conditions is 75dB(A).
25. Keep the instruction at a suitable place that close to the machine, and hand it over if you give the machine to a third party.

## **“SERVICING DOUBLE-INSULATED PRODUCTS (Except USA / Canada)”**

In a double-insulated product, two systems of insulation are provided instead of grounding. No grounding means is provided on a double-insulated product nor should a means for grounding be added to the product. Servicing a double-insulated product requires extreme care and knowledge of the system and should only be done by qualified service personnel. Replacement parts for a double-insulated product must be identical to those parts in the product. A double-insulated product is marked with the words DOUBLE INSULATION or DOUBLE INSULATED.

The symbol  may also be marked on the product.

## "SAVE THESE INSTRUCTIONS"

"This sewing machine is intended for household use only."

Congratulations on your purchase of a JUKI sewing machine.



Please be sure to read safety precautions in "To use the sewing machine safely" in the Instruction Manual before use to fully understand the functions and operating procedures of the sewing machine so as to use the sewing machine for a long time.

After you have read the Instruction Manual, please be sure to keep it together with the warranty so that you can read it whenever necessary.











## To use the sewing machine safely

Marks and pictographs included in the Instruction Manual and shown on the sewing machine are used so as to ensure safe operation of the sewing machine and to prevent possible risk of injury to the user and other people.

Warning marks are used for different purposes as described below.

 <b>WARNING</b>	Indicates that there is a possible risk of death or serious injury if this mark is ignored and the sewing machine is used in a wrong manner.
 <b>CAUTION</b>	Indicates the operation, etc. which can cause a possible risk of personal injury and/or physical damage if this mark is ignored and the sewing machine is used in a wrong manner.

Pictographs mean the following:

	Danger warning which is not specified		There is a risk of electrical shock		There is a risk of fire		There is a risk of injury to hands, etc.
	Prohibited matter which is not specified		Disassembly/alteration is prohibited		Do not place fingers under the needle		Do not pour oil, etc.
	Generally required behavior		Disconnect the power plug				

## **⚠ WARNING**

For the combination of the material and the thread and needle, in particular, refer to the explanation table in "Replacement of the needle".

If the needle or thread does not match the material used such as in the case that an extra heavyweight material (e.g., denim) is sewn with a thin needle (#11 or higher), the needle can break resulting in an unexpected personal injury.

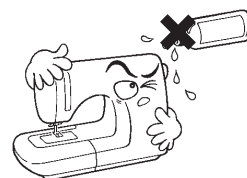
## **Other precautions**

- Do not put the sewing machine under the direct sunlight or in a humid place.



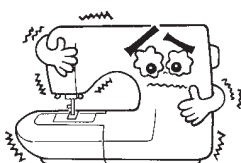
- Do not wipe the sewing machine with solvent such as thinner.

When the sewing machine is soiled, put a small quantity of neutral detergent on a piece of soft cloth and carefully wipe off the sewing machine with it.



Be aware that the following state can take place since the sewing machine incorporates semi-conductor electronic parts and precise electronic circuits.

- Be sure to use the sewing machine in the temperature range from 5°C to 40°C. If the temperature is excessively low, the machine can fail to operate normally.



\* The operating temperature of the sewing machine is between 5°C and 40°C. Do not use the sewing machine under the direct sunlight, near the burning things such as a stove and candle, or in a humid place. By so doing, the temperature in the interior portion of the sewing machine can rise or the coating of the power cord can melt, causing fire or electrical shock.



Do not dispose of electrical appliances as unsorted municipal waste, use separate collection facilities.

Contact your local government for information regarding the collection systems available.

If electrical appliances are disposed of in landfills or dumps, hazardous substances can leak into the groundwater and get into the food chain, damaging your health and well-being.

When replacing old appliances with new ones, the retailer is legally obligated to take back your old appliance for disposal at least for free of charge.

## List of contents

Details of the machine.....	22
Fitting the snap-in sewing table.....	24
Accessories.....	24
Connecting machine to power source.....	26
Two-step presser foot lever.....	28
Attaching the presser foot holder.....	28
Winding the bobbin.....	30
Inserting the bobbin.....	32
Threading the upper thread.....	34
Automatic needle threader.....	36
Bringing up the lower thread.....	36
Reverse sewing.....	38
Removing the work.....	38
Cutting the thread.....	38
Changing sewing directions.....	38
Inserting the needle.....	40
Thread tension.....	40
Adjusting presser foot pressure.....	42
How to drop feed dog.....	42
Matching needle / fabric / thread.....	44
How to choose your pattern.....	48
Straight stitching and needle position.....	50
Zigzag stitching.....	50
Sewing on buttons.....	52
How to sew buttonholes.....	54
Left and right side balance for buttonhole.....	56
Zippers and piping.....	56
Stitch selection.....	58
3-step zig-zag.....	58
Blind hem.....	60
Smocking stitch.....	60
Overlock stitches.....	62
Quilting.....	62
Patch work.....	64
Attaching lace.....	64
Practical stitches.....	66
Darning.....	68
Applique.....	68
Monogramming and embroidering with embroidery hoop*.....	70
Maintenance.....	72
Replacing the LED Lamp.....	72
Trouble shooting guide.....	74

## SPIS TREŚCI

Poszczególne części maszyny.....	23
Zamocowanie przedłużki wysięgu.....	25
Akcesoria .....	25
Podłączanie maszyny do źródła zasilania.....	27
Dwustopniowa dźwignia docisku stopki .....	29
Mocowanie uchwytu stopki .....	29
Nawijanie szpuleczki bębena .....	31
Mocowanie bębena .....	33
Nawlekanie nitki górnej .....	35
Automatyczny nawlekacz igły .....	37
Wyciąganie dolnej nitki.....	37
Szycie wsteczne.....	39
Zakańczanie szycia.....	39
Ucinanie nitki.....	39
Zmiana kierunku szycia.....	39
Mocowanie i zmienianie igły.....	41
Regulacja naprężenia nitki górnej.....	41
Regulacja docisku stopki.....	43
Opuszczanie ząbków transportera.....	43
Dobór igły/ materiału/ nici.....	45
Jak wybrać ścieg.....	49
Szycie ściegiem prostym i wybór położenia igły .....	51
Szycie ściegiem zygzakowym.....	51
Przyszywanie guzików .....	53
Obszywanie dziurek .....	55
Korygowanie gęstości ściegu przy obszywaniu dziurk.....	57
Suwaki i oblamowania.....	57
Wybór ściegu .....	59
Wielościęgowy ścieg zygzakowy .....	59
Szycie ściegiem obrębiającym krytym .....	61
Ścieg plaster miodu.....	61
Ściegi owerlokowe .....	63
Pikowanie.....	63
Patchworki.....	65
Wszywanie koronek .....	65
Praktyczne ściegi .....	67
Cerowanie .....	69
Aplikacje.....	69
Monogramy i hafty na tamborku* .....	71
Konserwacja maszyny .....	73
Wymiana oświetlenie LED .....	73
Usuwanie usterek.....	75

## Obsah

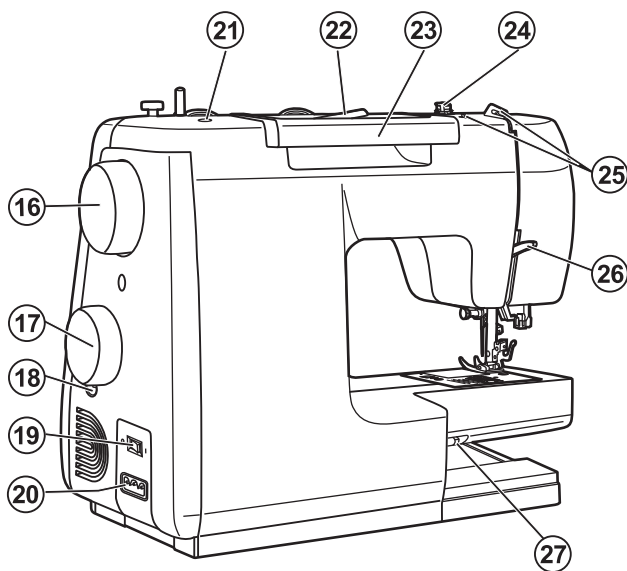
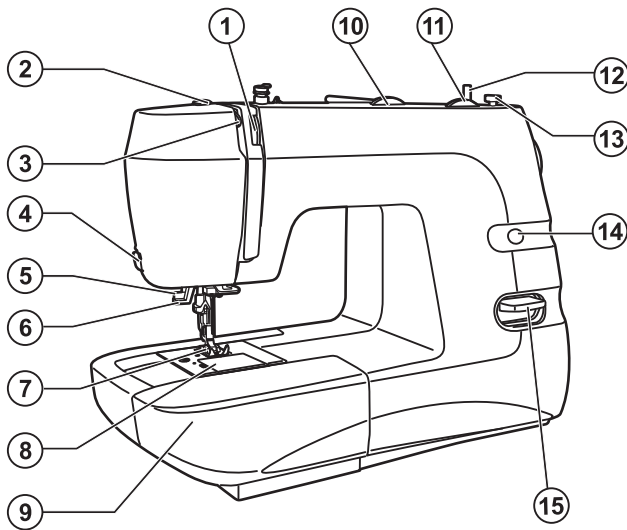
Součásti šicího stroje .....	23
Montáž vysouvací pracovní plochy .....	25
Příslušenství.....	25
Připojení šicího stroje ke zdroji elektrického napájení .....	27
Dvoupolohová zdvihací páčka přítlačné patky.....	29
Upevnění držáku přítlačné patky.....	29
Navíjení cívky .....	31
Založení cívky .....	33
Navlékání horní nitě .....	35
Automatický navlékač jehel .....	37
Vytažení spodní nitě.....	37
Vratný steh .....	39
Vyjmutí hotové práce .....	39
Odstřížení nití .....	39
Changing sewing directions .....	39
Nasazení jehly.....	41
Napnutí nitě.....	41
Nastavení přítlaku patky.....	43
Zasouvání podavače.....	43
Odpovídající jehla / látka / nit .....	46
Volba stehů .....	49
Šití rovným stehem a poloha jehly .....	51
Šití klikatým stehem .....	51
Přišívání knoflíků .....	53
Obšívání knoflíkových dírek .....	55
Vyrovnaní levé a pravé části knoflíkové dírky .....	57
Přišívání zipů.....	57
Volba stehů .....	59
Klikatý steh na tři etapy .....	59
Skrytý lem .....	61
Pružný steh .....	61
Obnitkovací stehy.....	63
Prošívání .....	63
Patchwork .....	65
Našívání krajek .....	65
Ozdobné stehy .....	67
Šití s vodičem nití .....	69
Aplikace.....	69
Monogramy a výšivky prováděné pomocí vyšívacího kruhu* .....	71
Údržba šicího stroje .....	73
Výměna LED žárovky.....	73
Odstraňování drobných problémů.....	76



## Indice

Parti principali della Macchina.....	23
Inserimento piano estraibile .....	25
Accessori.....	25
Collegamento della Macchina .....	27
Regolazione leva alza-piedino in due posizioni .....	29
Inserimento del gambo del piedino .....	29
Avvolgimento della bobina .....	31
Inserimento della bobina avvolta.....	33
Come infilare la Macchina.....	35
Infila-ago automatico.....	37
Recupero del filo della bobina.....	37
Cucitura a marcia indietro .....	39
Rimozione del lavoro.....	39
Tagliare il filo .....	39
Cambiamento della direzione di cucitura .....	39
Sostituzione degli aghi .....	41
Tensione del filo .....	41
Regolazione della pressione del piedino.....	43
Abbassare il trasportatore .....	43
Tavola guida ago/ tessuto/ filo.....	47
Scelta del punto .....	49
Cucitura dritta .....	51
Zig-zag .....	51
Cucitura di bottoni .....	53
Occhielli.....	55
Bilanciamento destro e sinistro dell'occhiello .....	57
Cerniere e cordonature .....	57
Cucitura dritta elastica e zig-zag elastico .....	59
Zig-zag multiplo.....	59
Orlo invisibile.....	61
Nido d'ape .....	61
Sopraggitto - overlock .....	63
Trapunto .....	63
Patchwork .....	65
Applicazione di pizzi.....	65
Punti utili e decorativi .....	67
Rammendo.....	69
Applicazioni .....	69
Monogrammi e ricamo a movimento libero*.....	71
Manutenzione.....	73
Sostituire la lampadina LED.....	73
Come rimediare a piccoli inconvenienti.....	77

## Details of the machine



1. Tension dial
2. Presser foot pressure
3. Thread take up lever
4. Thread cutter
5. One step buttonhole lever
6. Automatic threader
7. Presser foot
8. Needle plate cover
9. Sewing table and accessory box
10. Stitch width dial
11. Stitch length dial
12. Bobbin winder spindle
13. Bobbin winder stopper
14. Stitch display
15. Reverse lever
16. Handwheel
17. Patten selector dial
18. Buttonhole balance control dial
19. Main switch
20. Main plug socket
21. Hole for second spool pin
22. Spool pin
23. Handle
24. Bobbin thread guide
25. Upper thread guides
26. Presser foot lever
27. Drop feed control

## Poszczególne części maszyny

1. Tarcza naprężacza
2. Regulator docisku stopki
3. Podciągacz nici
4. Obcinacz nici
5. Dźwignia automatu do dziurek
6. Automatyczny nawlekiacz
7. Stopka dociskowa
8. Płytko ściegowa
9. Przedłużka wysięgu / pojemnik na akcesoria
10. Tarcza szerokości ściegu
11. Tarcza długości ściegu
12. Nawijacz szpuleczki
13. Ogranicznik nawijacza
14. Okienko ze wskaźnikiem ściegu
15. Dźwignia szycia wstecznego
16. Koło ręczne
17. Pokrętko wyboru ściegu
18. Regulator ściegu wykonującego dziurkę
19. Włącznik/ Wyłącznik
20. Gniazdo wtykowe
21. Otwór na drugi trzpień
22. Trzpień szpulki
23. Rączka
24. Prowadnik nitki bębena
25. Prowadnik nitki górnej
26. Podnośnik stopki
27. Regulator transportera

## Součásti šicího stroje

1. Napínací kolečko nitě
2. Příklad patky
3. Napínák nitě
4. Nůž na nit
5. Páčka držáku knoflíků
6. Automatický navlékač jehel
7. Přítlačná patka
8. Propichová destička
9. Pracovní plocha a krabička s příslušenstvím
10. Kolečko pro nastavení šířky stehu
11. Kolečko pro nastavení délky stehu
12. Naviják
13. Doraz navijáku
14. Okénko výběru stehů
15. Páčka k nastavení vratného stehu
16. Kolo
17. Volič stehu
18. Tlačítko vyvážení
19. Hlavní vypínač
20. Zdířka pro připojení napájecího kabelu
21. Otvor pro druhý kolík cívky
22. Osička cívky niti
23. Rukojeť
24. Vodítko pro navlékání cívky
25. Vodítko horní nitě
26. Zdvíhací páčka přítlačné patky
27. Spouštění podavače

## Makinenin Ana Parçaları

1. İplik gerginliği ayarlama düğmesi
2. Baskı ayağı basıncı
3. Horoz
4. İplik kesici
5. Tek adımda ilik açma kolu
6. Otomatik iplik takıcı
7. Baskı ayağı
8. İğne plaka kapağı
9. Dikiş masası ve askseur kutusu
10. Dikiş genişliği çevirme
11. Dikiş uzunluğu arama
12. Bobin sarım iği
13. Bobin durdurucu
14. Desen gösterge penceresi
15. Geri dikiş kolu
16. El çarkı
17. Desen seçim düğmesi
18. İlik dikiş denge kolu
19. Ana güç kaynağı
20. Güç kablosu
21. İkinci makara pimi için delik
22. Yatay Makara pimi
23. Tutamak
24. Masura iplik kılavuzu
25. Üst iplik kılavuzu
26. Baskı ayağı kaldıracı
27. Damlatma kolu

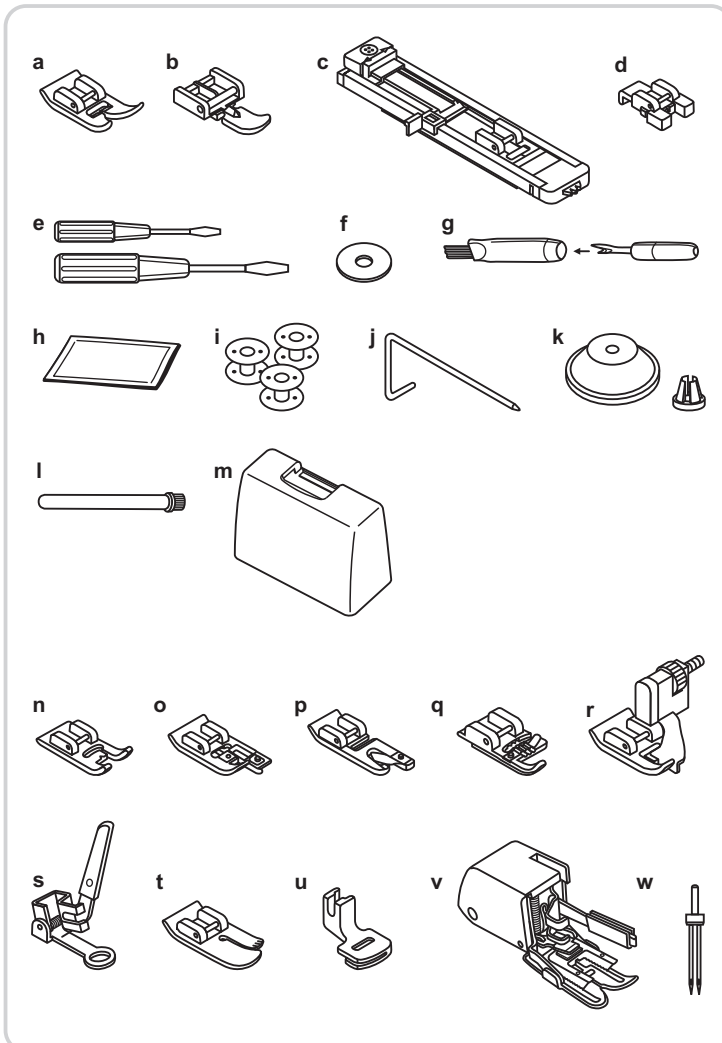


## Fitting the snap-in sewing table

Keep the snap-in sewing table horizontal, and push it in the direction of the arrow. (1)

The inside of the snap-in sewing table can be utilized as an accessory box.

To open, flip cover down as shown. (2)



## Accessories

### Standard accessories

- a. Standard presser foot
- b. Zipper foot
- c. Buttonhole foot
- d. Button sewing foot
- e. Screwdriver (L & S)
- f. Spool pin felt
- g. Seam ripper/ brush
- h. Pack of needles (3x)
- i. Bobbin (3x)
- j. Quilt guide
- k. Spool cap
- l. Auxiliary spool pin
- m. Hard case

### Optional accessories

- n. Decorate stitch foot
- o. Overcasting foot
- p. Rolled hemming foot
- q. Cording foot
- r. Blind stitch foot
- s. Quilt foot
- t. Straight stitch foot
- u. Gathering foot
- v. Walking foot
- w. Twin needle

## Zamocowanie przedłużki wysięgu

Zachowując położenie poziome przedłużki zamocuj ją w maszynie zgodnie z kierunkiem strzałki. (1)

Wnętrze przedłużki może być stosowane jako pudełko na wyposażenie.

Aby otworzyć, należy podnieść wieczko w punkcie oznaczonym strzałką. (2)

## Akcesoria

### Standardowe

- Stopka ogólnego zastosowania
- Stopka do suwaków
- Stopka do obrzucania dziurek
- Stopka do przyszywania guzików
- Wkrętak (L & S)
- Podkładka pod szpulkę z nićmi
- Nożyk / szczoteczka
- Pakiet igieł
- Szpuleczka (3 szt.)
- Prowadnik do pikowania
- Trzymak szpulki
- Dodatkowy trzpień
- Hard case**

### Dodatkowe - nie są dołączane do maszyny

- Stopka do ściegu satynowego
- Stopka do ściegu owerlokowego
- Stopka do obrębiania
- Stopka do wszywania sznurka
- Stopka do ściegu krytego
- Stopka do cerowania
- Stopka do pikowania
- Stopka do marszczenia
- Stopka z górnym transportem
- Igła podwójna

## Montáž vysouvací pracovní plochy

Přidrže násuvnou desku ve vodorovné poloze a zamáčkněte ji ve směru šipky (1).

Vnitřek násuvné desky můžete použít jako schránku na příslušenství.

Odklápecí kryt schránky otevřete podle obrázku (2).

## Příslušenství

### Běžné příslušenství

- Víceúčelová patka
- Patka na zipy
- Patka na knoflíkové dírky
- Patka pro přišívání knoflíků
- Šroubovák (L & S)
- Podložka cívky
- Kartáček/Rozparovadlo
- Jehly (3x)
- Cívky (3x)
- Vodítko na prošívání
- Čepička cívky malá a velká
- Kolik pro druhou niť
- Hard case**

### Speciální přítlačné patky

- Patka na vyšívání
- Obrubovací patka
- Patka na lemování
- Patka na vedení prýmků
- Patka pro slepý steh
- Patka na látání
- Patka na prošívání (vatování)
- Patka na řasení
- Patka s dvojitým posuvem
- Dvojitá jehla

## Sürgülü Dikiş Tablasının Yerleştirilmesi

Sürgülü dikiş tablasını yatay konumda tutun ve okun gösterdiği yöne doğru itin.(1)

Tablanın içi bir aksesuar kutusu olarak kullanılabilir.

Açmak için,okla gösterilen noktadan yukarı doğru kaldırınız.(2)

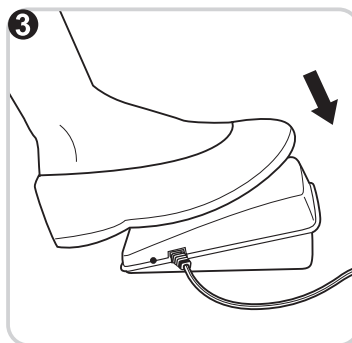
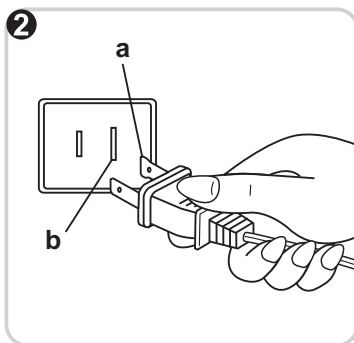
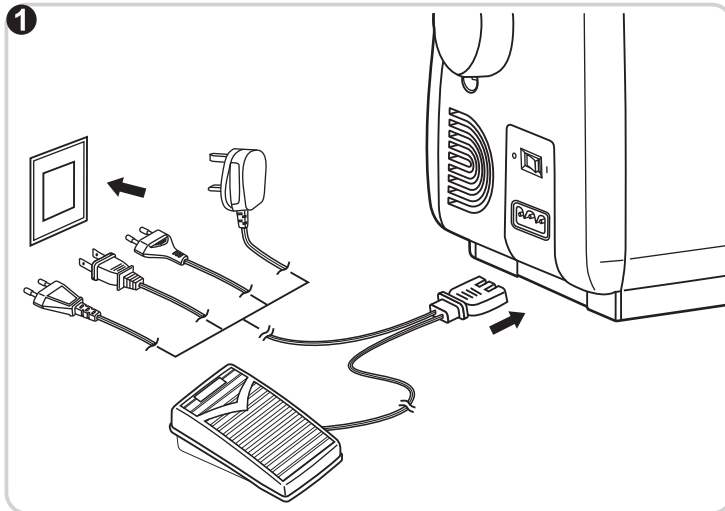
## Aksesuarlar

### Standart

- Çok amaçlı ayak
- Fermuar ayağı
- İlik açma ayağı
- Düğme dikiş ayağı
- Tornavida (L & S)
- Makara pim keçesi
- Fırça/ Dikiş sökme aleti
- İğne paketi (3x)
- Bobin (3x)
- Kenar/ kapitone kılavuzu
- Makara tutucu (L & S)
- İkinci makara pimi
- Hard case**

### Opsiyonel

- Saten dikiş ayağı
- Kapalı dikiş ayağı
- Kenar baskısı ayağı
- Kordon ayağı
- Kör kıvrım yeri ayağı
- Örme / Brode ayağı
- Kapitone ayağı
- Birleştirme ayağı
- Yürüme ayağı
- İkiz ayağı



## Connecting machine to power source

Connect the machine to a power source as illustrated. (1)  
The sewing machine is equipped with a polarized plug which must be used with an appropriate polarized outlet. (2)

### ⚠ Attention:

Unplug the power cord when machine is not in use.

### Foot control

The foot control pedal regulates the sewing speed. (3)

### ⚠ Attention:

Consult a qualified electrician if in doubt as to connect machine to power source.

Unplug power cord when machine is not in use.

The foot control must be used with the appliance by KD-1902/FC-1902 (110-120V), KD-2902/FC-2902D (220-240V).

### Sewing light

Press the main switch to " I " for power and light on. (1)

## IMPORTANT NOTICE

For appliance with a polarized plug (one blade is wider than the other). To reduce the risk of electric shock, this plug is intended to fit in a polarized outlet only one way. If it does not fit fully in the outlet, reverse the plug. If it still does not fit, contact a qualified electrician to install the proper outlet. Do not modify the plug in any way.

- a. Polarized attachment plug
- b. Conductor intended to be grounded

## Podłączanie maszyny do źródła zasilania

Włączyć wtyczkę do gniazda w maszynie. Podłączyć maszynę do źródła jak przedstawiono na (rys. 1)

Maszyna posiada wtyczkę, która musi odpowiadać końcówkami do gniazda wtykowego. (rys. 2)

### **UWAGA!**

Wyłącz wtyczkę maszyny z gniazda wtykowego gdy nie korzystasz z maszyny.

### Regulator Obrotów

Aby rozpocząć pracę naciśnij na regulator (rys. 3) Prędkość szycia zależy od stopnia nacisku.

### **UWAGA!**

W przypadku wątpliwości dotyczących podłączenia maszyny do źródła prądu zasięgnąć porady wykwalifikowanego elektryka. W żaden sposób nie modyfikować wtyczki.

Urządzenie musi być używane z rozrusznikiem dla KD-1902 / FC-1902 (110-120V), KD-2902 / FC-2902D (220-240V).

### Oświetlenie w maszynie

Przełącznik (A) włącza/wyłącza dopływ prądu oraz oświetlenie maszyny (rys. 1)

Włączanie-ustaw przełącznik na pozycję "I".

### Polaryzacja wtyczki

Zastosowano wtyczkę polaryzowaną (jedna strona jest szersza od drugiej). W ten sposób wtyczka pasuje tylko w jednym kierunku. Jeżeli wtyczka nie pasuje do gniazda, należy ją włożyć odwrotnie. Jeżeli nadal nie pasuje, należy skontaktować się z wykwalifikowanych personelem serwisu. Nie modyfikować wtyczek w żaden sposób.

- a. Wtyczka sieciowa
- b. Łącznik uziemiający

## Připojení šicího stroje ke zdroji elektrického napětí

Přístroj připojte do zásuvky na zdi podle obrázku. (1)Šicí stroj je vybaven polarizovanou zástrčkou, která může být připojena pouze do odpovídající zásuvky na zdi. (2)

### **Pozor:**

Není-li stroj v provozu, vypínejte síťovou šňůru ze zásuvky.

### Ovládací pedál

Ovládacím pedálem měníte rychlost šití (3).

### **Pozor:**

Máte-li sebemenší pochybnosti týkající se připojení šicího stroje ke zdroji elektrického napájení, obražte se na kvalifikovaného elektrikáře.

Nepoužívejte-li šicí stroj, odpojte napájecí kabel ze sítě. Ovládací pedál musí být používán s přístroji KD-1902 / FC-1902 (110-120V), KD-2902 / FC-2902D (220-240V).

### Osvětlení pracovní plochy

Přepnutím hlavního vypínače do polohy "I" zapnete stroj i osvětlení. (1)

### DŮLEŽITÉ UPOZORNĚNÍ

Šicí stroj je vybaven polarizovanou zástrčkou (jeden kolík je širší než druhý). Za účelem omezení rizika zasažení elektrickým proudem je tato zástrčka zkonstruována tak, aby mohla být zapojena do zásuvky polarizovaného proudu pouze jediným způsobem. Pokud nelze zástrčku zasunout do zásuvky na doraz, otočte ji. Pokud ji ani poté není možné zcela zasunout, obražte se na kvalifikovaného elektrikáře, aby vám nainstaloval vhodnou zásuvku. Zásuvku v žádném případě sami neupravujte.

- a. Polarizovaná zástrčka
- b. Zemní vodič

## Makinenin elektrik beslemesine bağlanması

Fişi,şekilde gösterildiği gibi prize takın.(1)  
Bu cihazın, uygun kutuplu bir prize kullanılması gereken kutuplu bir fişi vardır. (2)

### **Dikkat:**

Makine kullanılmadığında fişi prizden çekin.

### Ayak Pedali

Ayak pedalı,dikiş hızını ayarlar.(3)

### **Dikkat:**

Makinenin fişini prize takarken, herhangi bir şüphemiz varsa yetkili bir teknisyene danışın. Makineyi kullanmadığınız zaman fişi prizden çekin. Pedal, KD-1902/FC-1902 (110-120V), KD-2902/FC-2902D (220-240V). Makinelerle birlikte kullanılmalıdır.

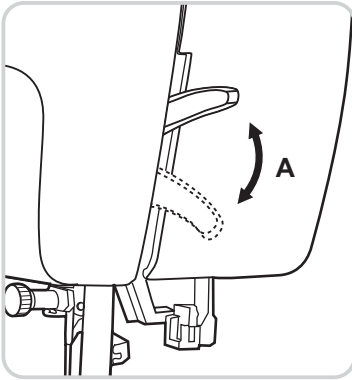
### Dikiş Işığı

Makineyi ve ışığı açmak için ana düğmeye basın.(1)

### Kutuplanmış fiş bilgisi

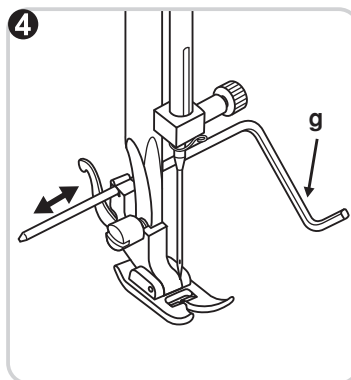
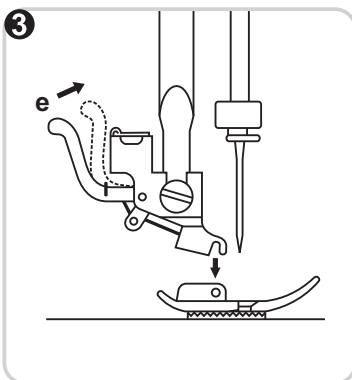
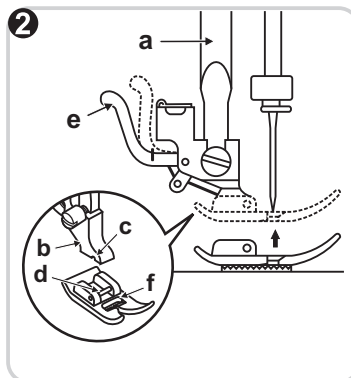
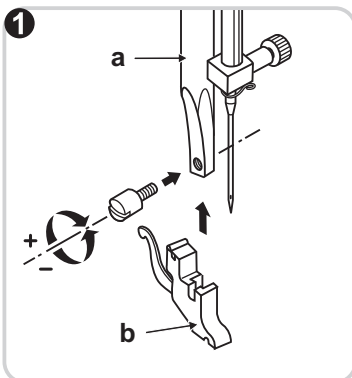
Bu cihaz, elektrik şoku riskini azaltmak için kutuplanmış fişe (bir ucu diğer uçtan daha geniş) sahiptir. Bu priz, kutuplanmış bir fişe, sadece bir yönden girebilir. Eğer fiş prize tümüyle girmiyor ise, tersini çevirin. Yine de oturmuyorsa, yetkili bir elektrik teknisyeni ile irtibata geçin. Fişi hiçbir şekilde değiştirmeyin.

- a. Kutuplu fiş
- b. Topraklanması gereken iletken



## Two-step presser foot lever

When sewing several layers or thick fabrics, the presser foot can be raised a second stage for easy positioning of the work. (A)



## Attaching the presser foot holder

Raise the presser foot bar (a). (1) Attach the presser foot holder (b) as illustrated.

## Attaching the presser foot

Lower the presser foot holder (b) until the cut-out (c) is directly above the pin (d). (2) Raise the lever (e).

Lower the presser foot holder (b) and the presser foot (f) will engage automatically.

## Removing the presser foot

Raise the presser foot. (3)

Raise the lever (e) and the foot disengages.

## Attaching the quilt guide

Attach the quilt guide (g) in the slot as illustrated. Adjust as needed for hems, pleats, quilting, etc. (4)

## ⚠ Attention:

Turn power switch to "O" when carrying out any of the above operations!



## Dwustopniowa dźwignia docisku stopki

Przy szyciu grubych tkanin lub wielu warstw materiału, stopka dociskowa może być podniesiona na drugi poziom dla ułatwienia szycia. (A)

## Mocowanie uchwytu stopki

Podnieść drążek stopki (a). Zamocować uchwyt stopki (b) jak okazano na rysunku. (rys. 1)

## Mocowanie stopki dociskowej

Opuścić uchwyt stopki (b) ustawiając stopkę tak, aby trzpień (d) znalazł się dokładnie pod wyjęciem (c). Podnieść dźwignię (e). Opuść uchwyt stopki (b), a wtedy stopka (f) zamocuje się automatycznie. (rys. 2)

## Zdejmowanie stopki dociskowej.

Podnieść stopkę dociskową. (rys. 3)  
Podnieść dźwignię (e), a wtedy stopka odłączy się od uchwytu.

## Mocowanie przewodnika szwów.

Zamocować przewodnik szwów (g) w wyjęciu uchwytu jak na rysunku. Ustawić stosownie do potrzeb. (rys. 4)



### uwaga!

Przy przeprowadzaniu którejkolwiek z powyższych czynności należy przełącznik mocy ustawić na pozycji "O" (wyłączone)

## Dvoupolohová zdvihací páčka přítlačné patky

Pro zjednodušení zasouvání velmi silných látek pod přítlačnou patkou je možné zvětšit prostor mezi přítlačnou patkou a propichovou destičkou zvednutím páčky přítlačné patky do druhé polohy. (A)

## Upevnění držáku přítlačné patky

Zdvihněte tyč přítlačné patky (a) pomocí páčky na zadní straně šicího stroje. Upevněte držák přítlačné patky tak, jak je uvedeno na obrázku (1).

## Upevnění přítlačné patky

Sklopte držák přítlačné patky (b) tak, aby vykrojení (c) bylo přímo nad oskou (d). Zatlačte lehce páčku (e) dopředu. Sklopte držák přítlačné patky (a), aby přítlačná patka (f) zapadla na místo. Schéma (2).

## Demontáž přítlačné patky

Zdvihněte přítlačnou patku pomocí páčky na zadní straně šicího stroje. (3)  
Lehce zatlačte páčku (e) dopředu tak, aby došlo k uvolnění přítlačné patky. Schéma.

## Upevnění vodítka na prošívání

Přípevněte vodítko (g) na zadní stranu držáku přítlačné patky a nastavte požadovanou vzdálenost. Vodítko se používá pro prošívání, šití lemů, sámků atd. Schéma (4).



### Upozornění:

Před provedením upevnění přepněte hlavní vypínač do polohy "O".

## İki kademeli baskı ayağı kaldırma kolu

Birkaç katlı kalın kumaşları dikerken, işin kolay yerleştirilmesi için baskı ayağı yüksek bir konuma kaldırılabilir. (A)

## Baskı ayağının değiştirilmesi

Baskı ayağı çubuğunu (a) kaldırın. Gösterildiği gibi baskı ayağı tutucusunu takın (b). (1)

## Baskı ayağını takma

Baskı ayağı tutucusunu (b) kesici (c) tam pimin (d) üzerine gelene kadar alçaltınız. Kolu (e) kaldırın.  
Baskı ayağı tutucusunu (b) alçaltınız ve baskı ayağı (f) otomatikman yerine yerleşecektir. (2)

## Baskı ayağının kaldırılması

Baskı ayağını kaldırın. (3)  
Kolu (e) kaldırın ve ayak serbest kalacaktır.

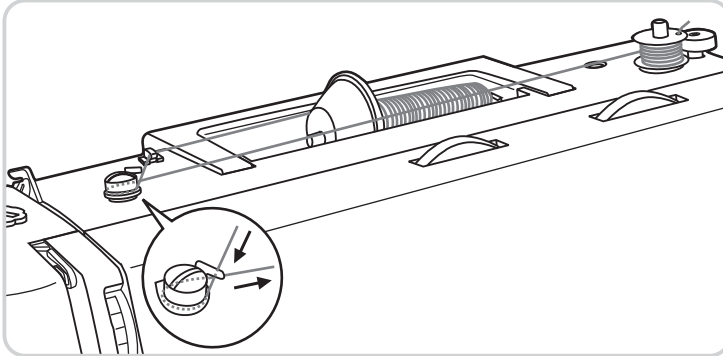
## Kenar/kapitone kılavuzunun bağlanması

Gösterildiği gibi kenarlık/kapitone kılavuzunu yuvaya yerleştirin. Kenara ve pliseye göre ayarlama yapın. (4)



### Dikkat:

Yukarıdaki işlemleri yaparken güç kaynağını kapalı ("O") konumuna getirin!



## Winding the bobbin

- Place the thread and spool cap onto the spool pin.  
For small thread spools, place small side of spool cap next to spool. (1)

- Snap thread into thread guide. (2)

- Wind thread clockwise around bobbin winder tension discs. (3)

- Thread bobbin as illustrated and place on spindle. (4)

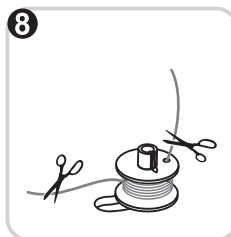
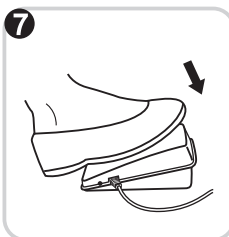
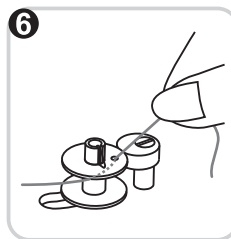
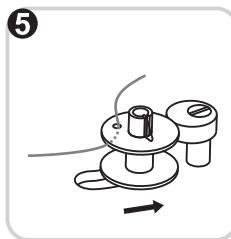
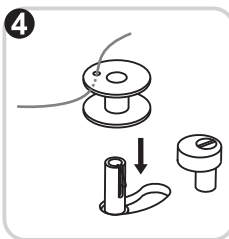
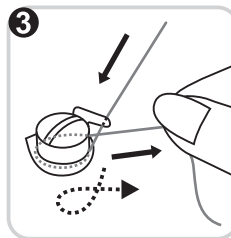
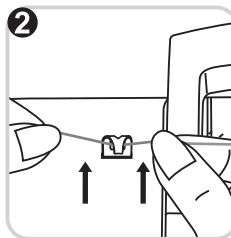
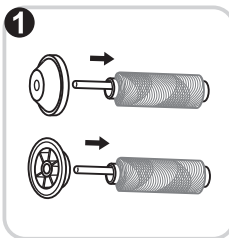
- Push bobbin spindle to right. (5)

- Hold thread end. (6)

- Step on foot control pedal. (7)

- Cut thread. (8)

- Push bobbin spindle to left (9) and remove.



### ⚠ Please Note:

When the bobbin winder spindle is in "bobbin winding" position, the machine will not sew and the hand wheel will not turn. To start sewing, push the bobbin winder spindle to the left (sewing position).

## Napełnianie dolnej szpulki

- Włożyć szpulkę z nitką tak, aby nitka rozwijała się jak na rysunku i nałożyć krążek przytrzymujący.  
**For small spools of thread, use the spool holder with the small end facing the spool of thread. (1)**
- Włożyć nitkę w prowadnik nitki (2).
- Owinąć nitkę ręcznie kilka razy wokół dysków naprężacza, zgodnie z ruchem wskazówek zegara (3).
- Założyć nitkę do szpulki jak pokazano na rysunku i umieścić szpulkę na trzpieniu do napełniania (4).
- Przesunąć szpulkę i trzpień w prawo, do pozycji napełniania (5).
- Przytrzymać końcówkę nitki (6).
- Delikatnie nacisnąć rozrusznik (7).
- Obciąć nitkę (8).
- Przesunąć szpulkę i trzpień w lewo (9) i zdjąć szpulkę.



### Uwaga:

Gdy trzpień do napełniania dolnej szpulki ustawiony jest w pozycji napełniania maszyna nie będzie szyla, a koło ręczne jest zablokowane. Aby rozpocząć szycie należy przesunąć trzpień w lewo (do pozycji szycia).

## Navíjení cívky

- Nasadíte cívku, aby se nit odvíjela podle obrázku a na ni čepičku.  
**For small spools of thread, use the spool holder with the small end facing the spool of thread. (1)**
- Zamáčkněte nit do vodiče nití. (2)
- Otočte nit po směru hodinových ručiček kolem napínacích talířků pro navíjení spodních nití (3).
- Navlečte nit do cívky podle obrázku a nasadíte cívku na kolík (4).
- Přitlačte cívku směrem doprava (5).
- Přidržte konec nití (6).
- Sešlápněte ovládací pedál (7).
- Odstřihněte nit (8).
- Přitlačte cívku zpět doleva (9) a sundejte cívku z kolíku.



### Poznámka:

Když je kolík navíječe spodní nití v poloze "navíjení", stroj nešije a ruční kolo se neotáčí. Chcete-li zašít šit, přepněte kolík cívky doleva (poloha šití).

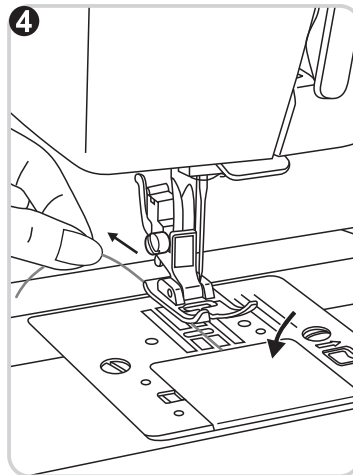
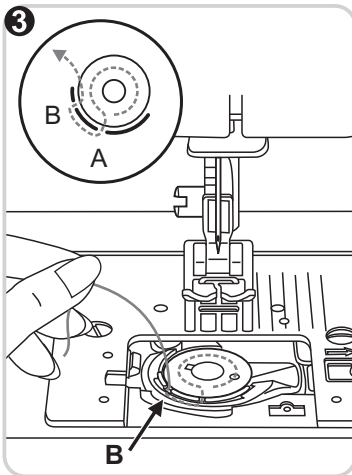
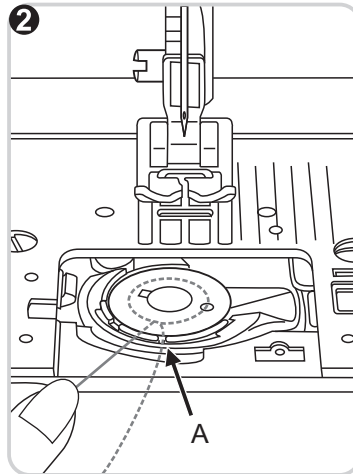
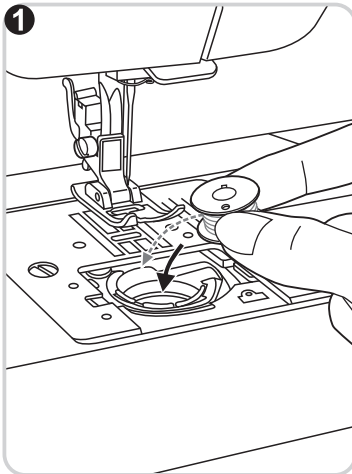
## Masuranın sarılması

- İpliği ve makara desteğini makara yuvasına yerleştirin. Küçük iplik makaraları için, makara desteğinin küçük ucunu makara tarafına yerleştirin. (1)
- İpliği, iplik kılavuzuna takın. (2)
- İpi, sarıcının gerginleştirme disklerinin etrafına, saat yönünde sarın(3).
- Masurayışekildeki gibi sarın ve milin üzerine yerleştirin (4).
- Masurayı sağa doğru itin (5).
- İpliğin uzununu tutun (6).
- Kumanda pedalına basın (7).
- İpi kesin (8).
- Masurayı sola doğru itin (9) ve geri çekin.



### Lütfen dikkat:

Sarıcının mili, "masura sarma" modundayken, makine dikemez ve kasnak dönmez. Dikmeye başlamak için, sarıcının milini sola (dikiş konumuna) itin.



## Inserting the bobbin

**When inserting or removing the bobbin, the needle must be fully raised.**

1. Inserting the bobbin in the bobbin holder with the thread running counter clockwise direction (arrow).
2. Pull the thread through the slit (A).
3. Draw the thread clockwise until it slips into the notch (B).
4. Pull out about 15 cm of thread and attached the bobbin cover plate.

**⚠ Attention:**  
Turn power switch to "O" before inserting or removing the bobbin.

## Wkładanie szpuleczki do bębenka

Przy wkładaniu lub wyjmowaniu szpuleczki z bębenka igła musi być ustawiona w najwyższym położeniu.

1. Włożyć szpuleczkę do bębenka w taki sposób, aby nitka odwijala się, a szpuleczka obracała zgodnie z ruchem wskazówek zegara.
2. Wsunąć nitkę w szczelinę (A).
3. Ciągnąć nitkę w kierunku zgodnym z ruchem wskazówek zegara aż wejdzie do oczka (B).
4. Wyciągnąć około 15 cm nitki i zamknąć osłonkę chwytacza.



### Uwaga!

Przełącznik mocy ustawić na ("O") (wyłączony)

## Založení cívky

Při zakládání nebo vyjímání cívky musí být jehla zcela zdvižena.

1. Vložte cívku do pouzdra cívky, aby se nit odvíjela proti směru hodinových ručiček (šipka)
2. Protáhněte nit štěrbinou (A).
3. Táhněte nit po směru hodinových ručiček, až zaskočí do drážky (B).
4. Vytáhněte asi 15 cm niti a nasadte kryt spodní niti (C).



### Upozornění:

Před zakládáním nebo vyjímáním cívky zkontrolujte, zda se hlavní vypínač nachází v poloze "O" .

## Masuranın takılması

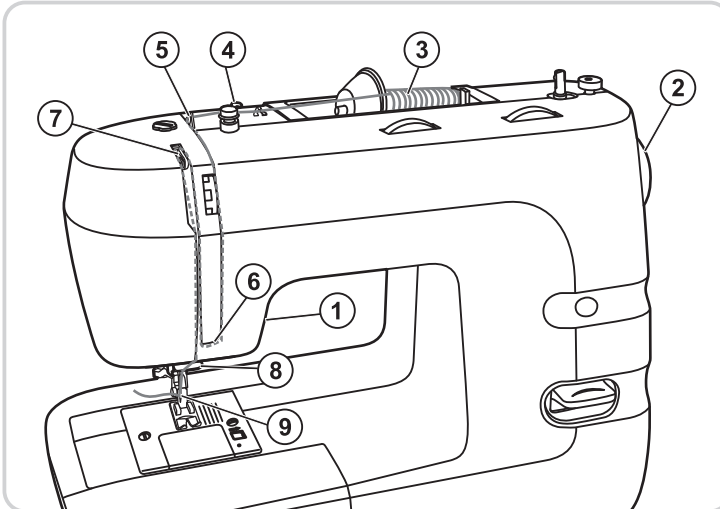
Masurayı takarken veya çıkarırken, iğne tam yukarı konumda olmalıdır.

1. Masurayı, iplik saat yönünde geçirilecek şekilde mekiğe yerleştirin. (ok)
2. İpliği deliğin içinden geçirerek çekin (A).
3. İpliği kentiğin altından geçene kadar saat yönünde çekin (B).
4. İpliği yaklaşık 15 cm çekin ve masura kapağını kapatın.



### Dikkat:

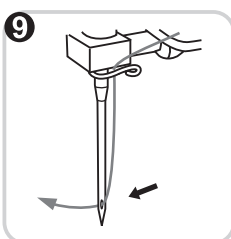
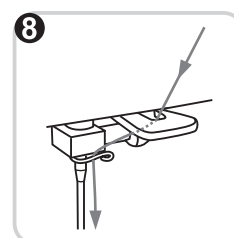
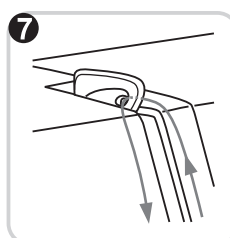
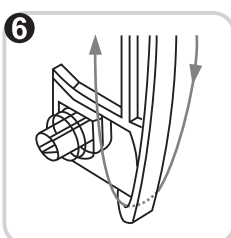
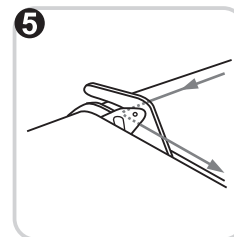
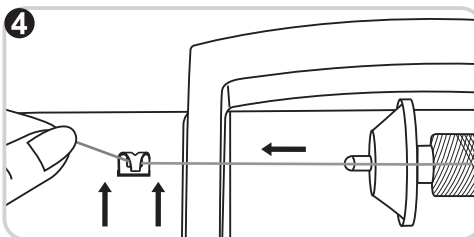
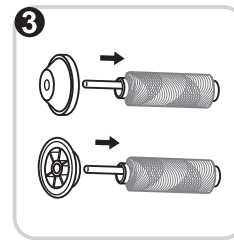
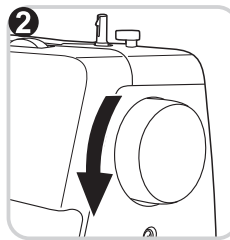
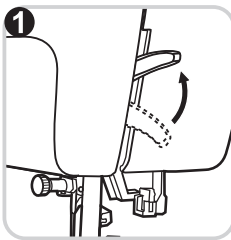
Masurayı takarken veya çıkarırken, makineyi düğmesinden kapatın.



## Threading the upper thread

This is a simple operation but it is important to carry out correctly as by not doing so several sewing problems could result.

- Start by raising the needle to its highest point, and also raise the presser foot to release the tension discs. (1/2)
- Lift up the spool pin. Place the thread and spool holder onto the spool pin. For small spools of thread, use the spool cap with the small end facing the spool of thread. (3)
- Draw thread from spool to the upper thread guide. (4)
- Guide thread around thread guide pulling thread through pre-tension spring as illustrated. (5)
- Continue downwards on the right side of the large verticle thread guide passing under and up on the left side allowing the thread to engage in the check spring as it passes upwards. (6)
- At the top of this movement pass it from right to left through the slotted eye of the take-up lever and then downwards again. (7)
- Pass behind the flat, horizontal thread guide. (8)
- Now take it behind the thin wire needle clamp guide and then down to the needle which should be threaded from front to back. Pull about 6-8 inches of thread to the rear beyond the needle eye. (9)



## Nawlekanie nitki górnej

Jest to bardzo prosta czynność, ale jest bardzo ważne, aby przeprowadzić ją prawidłowo.

- Zawsze przed rozpoczęciem nawlekania, ustawić igielnicę w najwyższym położeniu oraz podnieść stopkę, tak aby zwolnić dyski naprężacza. (1/2)

- Podnieść trzpień na szpulkę, włożyć szpulkę z nitką tak, aby nitka rozwijała się jak na rysunku i nałożyć krążek przytrzymujący.

**For small spools of thread, use the spool holder with the small end facing the spool of thread. (3)**

- Przeprowadzić nitkę przez górne prowadniki. (4)

- Pociągnąć nitkę do siebie i przeprowadzić pomiędzy dyskami naprężacza. (5)

- Poprowadzić nitkę w dół z prawej strony wertykalnego prowadnika następnie pod nim i do góry z lewej jego strony. (6)

- Przeprowadzić nitkę przez oczko szczeliny podciągacza nici i znowu poprowadzić do dołu. (7)

- Przeprowadzić nitkę przez prowadnik. (8)

**- Now take it behind the thin wire needle clamp guide and then down to the needle which should be threaded from front to back.**

Wyciągnąć około 15 - 20 cm nitki do tyłu za igłę. Odciąć nitkę, korzystając z bocznego obcinacza nitki. (9)

## Navlečení horní nitě

Navlékání je jednoduchá operace, ale je nutné ji provádět správně, jinak by mohlo dojít k různým problémům během šití.

- Začněte zdvižením jehly do nejvyšší polohy a pokračujte v otáčení ručním kolem proti směru hodinových ručiček, až jehla začne klesat. Zdvížením přítlačné patky uvolníte napínací talířky. (1/2)

- Nadzdvihněte kolík pro cívku s nití, nasadte cívku, aby se nit odvíjela podle obrázku a na ni čepičku.

**For small spools of thread, use the spool holder with the small end facing the spool of thread. (3)**

**- Draw thread from spool to the upper thread guide. (4)**

- Ved'te nit z cívky skrz vodítko horní niti a protáhněte ji skrz předpínací pružinu podle obrázku. (5)

- Navlečte níž tak, že povedete nit pravou štěrbínou dolů a levou nahoru. Při tomto kroku je vhodné přidržovat nit mezi cívkou a prvním vodítkem. (6)

- V nejvyšší pozici protáhněte nit zprava doleva očkem nížové páky a ved'te ji opět dolů (7).

- Nyní ved'te nit za vodorovné vodítko niti. (8)

**- Now take it behind the thin wire needle clamp guide and then down to the needle which should be threaded from front to back.**

Vytáhněte asi 15 až 20 cm niti dozadu za jehlu. Nit odřízněte na tuto délku vestavěným řezačem niti. (9)

## Üst ipliğin takılması

Bu basit bir işlemdir, ancak doğru yapılması gerekir. İşlemin doğru yapılmaması birkaç dikiş sorununa neden olabilir.

- Öncelikle iğneyi en yüksek noktaya kaldırın ve baskı ayağını kaldırarak gergi disklerini çözün. (1/2)

- Masura pimini yukarı kaldırın. İplik, makaradan şekilde gösterildiği gibi çözülecek şekilde iplik makara tutucu üzerine yerleştirin.

Küçük iplik makaraları için, küçük tarafı makaraya yakın olacak şekilde makara tutucusunu ayarlayın. (3)

- Makara ipliğini, üst iplik kılavuzlarından çekin. (4)

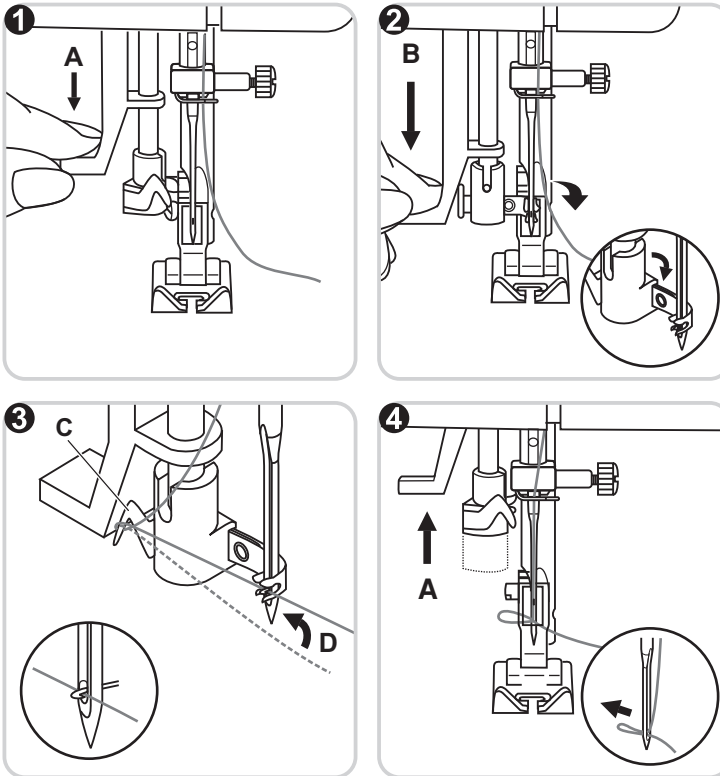
- Kendinize doğru ileri çekin ve makinenin üst ön tarafındaki iki gergi diskinin arasından geçirin. (5)

- Sağ kanaldan aşağı ve sol kanaldan yukarı doğru uzatarak ipliği gergi modülüne takın. Bu işlem, ipliği masura ile iplik kılavuzu arasında tutmak için faydalıdır. (6)

- İpliği horoz deliğinden sağdan sola doğru geçirin ve daha sonra tekrar aşağı doğru uzatın. (7)

- Yassı, yatay iplik kılavuzundan ipliği geçirin. (8)

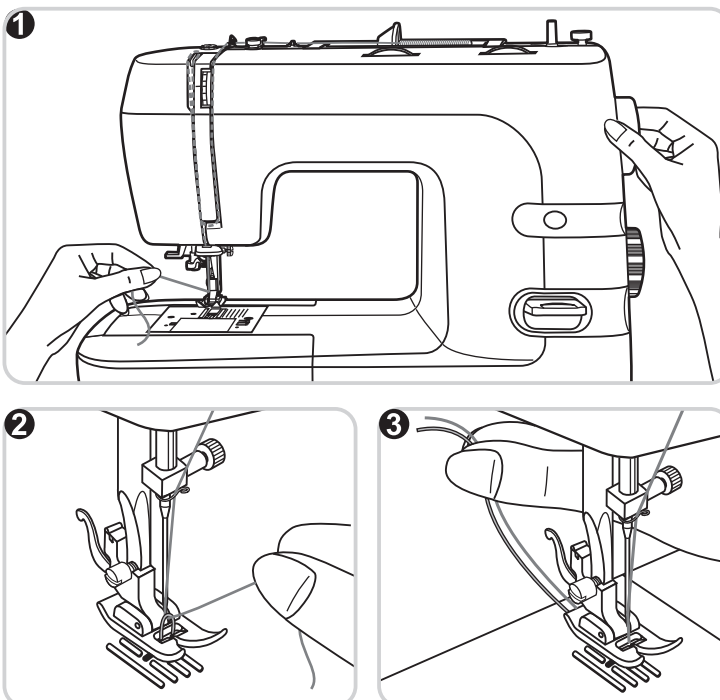
- Şimdi ipliği ince iğne kelepçesi kılavuzunun arkasından geçirerek, ipliğin önden arkaya doğru takılacağı iğneye doğru uzatın. Yaklaşık 6-8 inç arkaya doğru çekerek, ipliği iğne deliğinden, önden arkaya doğru geçirin. (9)



### Automatic needle threader

- Raise the needle to its highest position.
- Press lever (A) right down.
- The threader automatically swings to the threading position (B).
- Take the thread round the hook (C).
- Take the thread in front of the needle so that the thread will insert into the hook (D) from bottom to top
- Release lever (A).
- Pull the thread through the needle eye.

**⚠ Attention:**  
Turn power switch to "O"!



### Bringing up the lower thread

Hold the upper thread with the left hand. Turn the handwheel forwards until the needle is raised. (1)

Pull on the upper thread to bring the lower thread up through the stitch plate hole. Lay both threads to the back under the presser foot. (2/3)



## Automatyczny nawlekacz igły

- Podnieść igłę do jej najwyższej pozycji.
- Opuścić w dół dźwignię (A).
- Nawlekacz automatycznie przesunie się do pozycji nawlekania (B).
- Założyć nitkę wokół haczyka (C).
- Przełożyć nitkę z przodu igły wokół haczyka (D), od dołu do góry.
- Zwolnić dźwignię (A).
- Przeciągnąć nitkę przez oczko igły.



### Uwaga:

Ustawić przełącznik główny w pozycji ("O")!

## Wyciąganie dolnej nitki

Przytrzymać górną nitkę palcami lewej ręki.  
Obracać kołem ręcznym do siebie, aż igła z nitką znajdzie się w górnym położeniu. (1)

Pociągając górną nitką do siebie, wyciągać dolną nitkę przez otwór w płytce śniegowej. Przeciągnąć ok. 15 cm obu nitkę do tyłu pod stopkę. (2/3)

## Automatický navlékač nití

- Zdvihněte jehlu do nejvyššího bodu.
- Stiskněte na (A) co nejsilněji.
- Navlékač se automaticky posune do polohy pro šití (B).
- Provlékněte nit okolo vodítka nití (C).
- Provlékněte nit před jehlou háčkem (D) zespodu nahoru.
- Pusťte páčku (A).
- Provlékněte nit uchem jehly.



### Upozornění:

Otočte hlavní vypínač do polohy "O"!

## Vytažení spodní nitě

Přidržte horní nit levou rukou. Otáčením ručním kolem směrem k sobě (proti směru hodinových ručiček) až bude jehla v horní úvrati. (1)

Pomalým vytahováním horní nití vytáhněte z otvoru ve stehové desce spodní nit. Položte obě nitě dozadu za stehovou desku. (2/3)

## Otomatik iplik takıcı

- İğneyi en üst düzeye kadar kaldırın.
- Aşağı doğru kolu (A) bastırın.
- İğne takıcı otomatikman takma pozisyonuna geçecektir. (B)
- İpliği kancanın etrafından dolayın. (C)
- İpliği iğnenin önüne yerleştirin. (D)
- Kolu bırakın. (A)
- İpliği iğne deliğinden çekin.



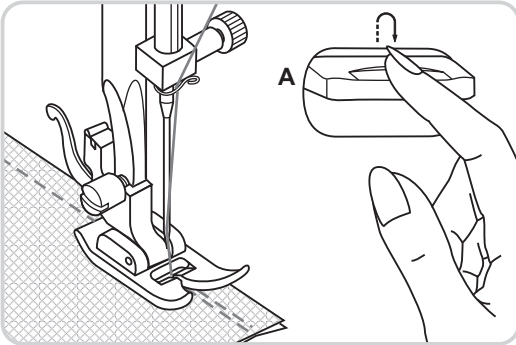
### Dikkat:

Makinenizi kapatmayı unutmayın.

## Alt masura ipliğinin kaldırılması

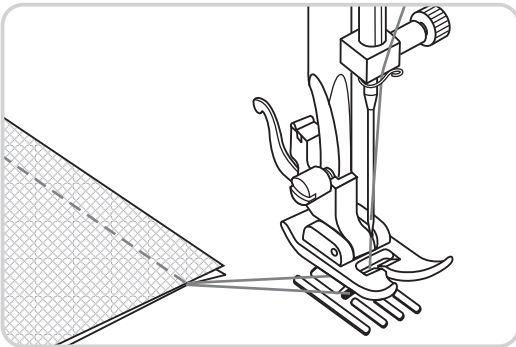
Üst ipliği sol elinizle tutun. Volanı iğne kalkana kadar, ileri doğru çevirin. (1)

Alt masura ipliğini, dikiş plakası deliğinden geçirmek için, üst ipliği yavaşça çekin. Her iki ipliği, baskı ayağının altından geriye doğru uzatın. (2/3)



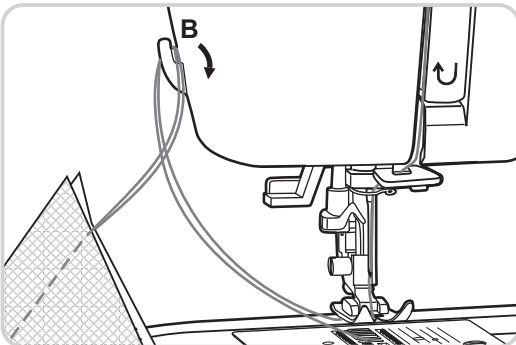
## Reverse sewing

At the end of seam, press down the reverse sewing lever. Sew a few reverse stitches. Release the lever and the machine will sew forwards again. (A)



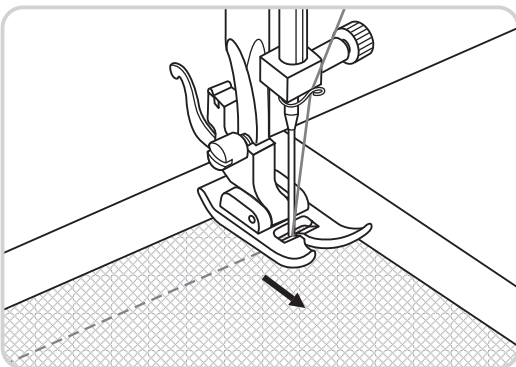
## Removing the work

Turn the handwheel towards to bring the thread take up lever to its highest position, raise the presser foot and remove work towards the back.



## Cutting the thread

Hold the threads behind the presser foot with both hands, guide them to the slit (B) and press down.



## Changing sewing directions

1. Stop the machine at the point where you wish to change directions with the needle still in the fabric.
2. Raise the presser foot and turn the fabric to line up its new direction using the needle as a turning point.
3. Lower the presser foot and start sewing in the new direction.

PL

## Szycie wsteczne

Aby zakończyć lub wzmocnić szef, nacisnąć dźwignię ściegu wstecznego do tyłu. Przeszyć kilka ściegów.

Zwolnić dźwignię i maszyna znów będzie szyla do przodu. (rys. A)

## Zakończenie szycia

Obrócić kołem ręcznym do siebie, aby podciągacz nici znalazł się w najwyższym położeniu, podnieść stopkę i dwie nitki wyciągnąć pod stopkę do tyłu.

## Ucinanie nitki

Przytrzymując nitki obiema rękoma, wprowadzić je w szczelinę (B), a następnie pociągnąć je do dołu.

## Zmiana kierunku szycia

1. Zatrzymać maszynę w miejscu w którym chciałoby się zmienić kierunek z igłą ciągle jeszcze w materiale.
2. Podnieść stopkę i obrócić materiał w wybranym przez siebie kierunku, używając igły jako punktu zwrotnego.
3. Opuścić stopkę i zacząć szyc w nowym kierunku.

CZ

## Vratný steh

Pro zpevnění začátku a konce švu stiskněte páčku pro šití zpět. Ušijte několik stehů zpět. Po uvolnění páčky bude stroj šít opět dopředu. (A)

## Vyjmutí ušité práce

Otáčením ručním kolem k sobě (proti směru hodinových ručiček) zdvihnete nižovou páku do nejvyšší polohy, zdvihnete přítlačnou patku a vyjmete výrobek zpod jehly a zpod

## Odstřížení nití

Vytáhněte nitě pod přítlačnou patku a dozadu za ni. Vedte nitě na stranu kolem čelního panelu a do odřezávače (B). Zatažením dolů nitě odřízněte.

## Changing sewing directions

1. Stop the machine at the point where you wish to change directions with the needle still in the fabric.
2. Raise the presser foot and turn the fabric to line up its new direction using the needle as a turning point.
3. Lower the presser foot and start sewing in the new direction.

TR

## Geri dikiş

Dikişin başını ve sonunu sağlamaştırmak için, geri dikiş kolunu aşağı doğru bastırın. Birkaç geri dikiş dakin. Kolu bırakın. Makine tekrar ileri doğru dikiş yapacaktır. (A)

## Dikilmiş kumaşı çıkartmak

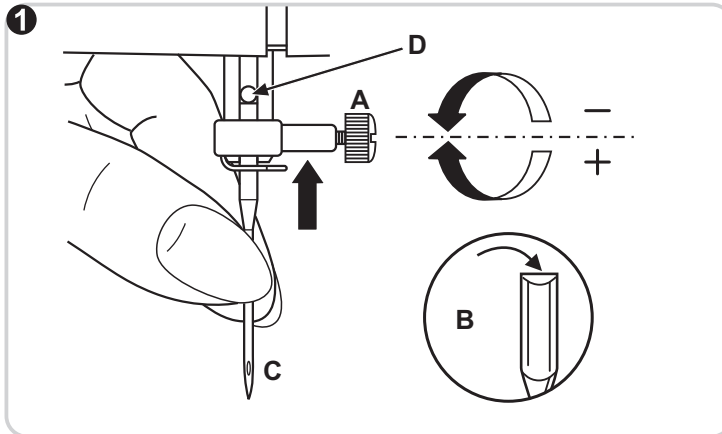
Horoza en yüksek konuma almak için volanı saatin tersi yönünde çevirin. Baskı ayağını kaldırın. İğnenin ve baskı ayağının arkasındaki işi çıkartın.

## İpliğin kesilmesi

Baskı ayağının arkasındaki ipliği çekin. İplikleri alın kapağının yanından ve iplik kesiciden geçirin. İpliği çekerek kesin. (B)

## Dikiş yönünün değiştirilmesi

1. Dikiş yönünü değiştirmek istediğinizde makineyi durdurun.
2. Baskı ayağını kaldırın ve kumaştaki iğne yardımıyla kumaşın yönünü istediğiniz yöne çevirin.
3. Baskı ayağını indirin ve dikişe devam edin.



## Inserting the needle

Change the needle regularly, especially if it is showing signs of wear and causing problems.

Insert the needle as illustrated as follows:

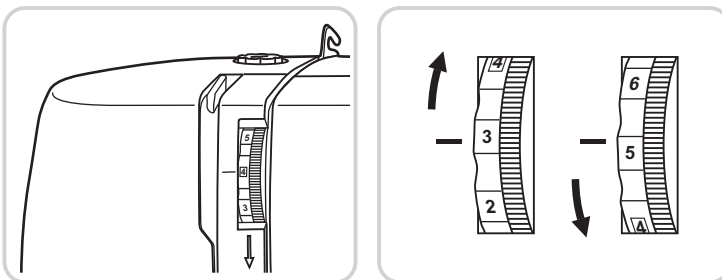
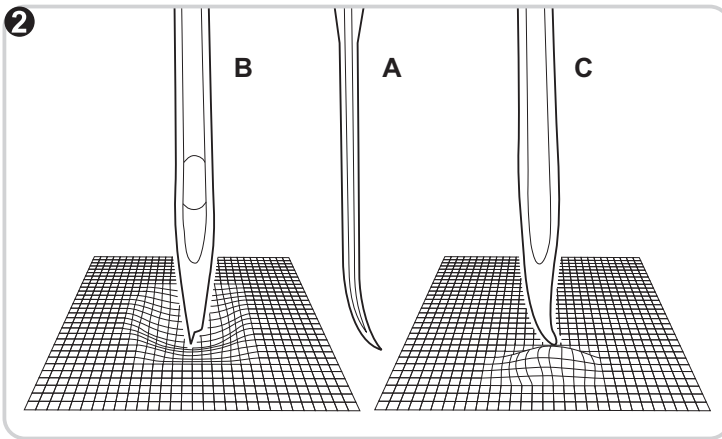
- A. Loosen the needle clamp screw and tighten again after inserting the new needle. (1)
- B. The flat side of the shaft should be towards the back.
- C/D. Insert the needle as far up as it will go.

**! Attention:**  
Turn power switch to "O" before inserting or removing the needle.

Needles must be in perfect condition. (2)

Problems can occur with:

- A. Bent needles
- B. Damaged points
- C. Blunt needles

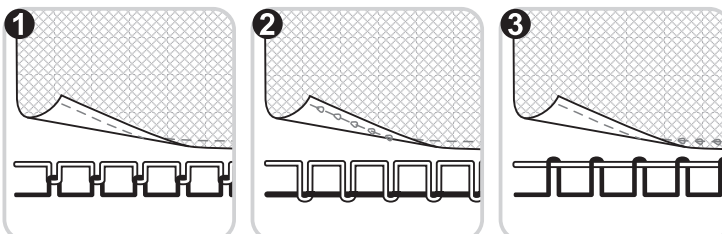


## Thread tension

### Upper thread tension

Basic thread tension setting: "4".

To increase the tension, turn the dial to the next number up.  
To reduce the tension, turn the dial to the next number down.



- A. Normal thread tension
- B. Thread tension too loose
- C. Thread tension too tight

## Zakładanie igły

Należy regularnie wymieniać igły, szczególnie jeżeli noszą ślady zużycia lub są przyczyną problemów.

Założyć igłę jak pokazano na rysunku i opisano poniżej:

- Poluzować śrubę uchwyty igły i dokręcić ją ponownie po założeniu nowej igły. (1)
- Płaska strona trzonka igły powinna być skierowana do tyłu.
- IGŁĘ należy wsunąć maksymalnie głęboko w uchwyt.



### Uwaga:

Przed wyjmowaniem lub zakładaniem igły należy ustawić wyłącznik główny w pozycji "0".

Igła maszyny musi być w idealnym stanie. (2)

Problemy z szyciem mogą pojawiać się w przypadku:

- Zgiętej/skrzywionej igły
- Uszkodzonej końcówki igły
- Stępionej igły

## Napężenie górnej nitki

**Standardowe, podstawowe** ustawienie napężenia nitki to "4".

Aby zwiększyć napężenie należy obrócić pokrętko do pozycji oznaczonej wyższą cyfrą.

Aby zredukować napężenie obrócić pokrętko do pozycji oznaczonej niższą cyfrą.

- Napężenie standardowe
- Zbyt luźne napężenie nitki
- Zbyt silne napężenie nitki

## Nasazení jehly

Jehlu měňte pravidelně, zejména, vykazuje-li známky opotřebení nebo způsobuje-li problémy.

Jehlu vložte do stroje podle obrázku takto:

- Povolte šroubek jehlové svorky a po vložení nové jehly jej opět utáhněte (1).
- Plochá strana dřívku jehly musí směřovat dozadu.
- C/D. Jehlu zasuňte až na doraz.



### Pozor:

Před vkládáním a vyjímáním jehly vypněte hlavní vypínač ("0").

Jehly musejí být v perfektním stavu (2).

K problémům dochází s:

- ohnutými jehlami,
- poškozenými hroty,
- tupými jehlami.

## Napnutí nitě

### Napnutí horní nitě

Normální nastavení napnutí nitě: "4".

Je třeba, aby napnutí nití bylo správně vyvážené. Bude-li nezbytné provést jeho změnu, provádí se nastavení změnou napnutí horní nitě.

U klikátého stehu je napnutí správně, jestliže se horní nit objevuje lehce i na rubu látky.

- Normální napnutí
- Nedostatečné napnutí horní nitě
- Přílišné napnutí horní nitě

## İğnelerin takılması ve değiştirilmesi

İğneyi düzenli olarak, özellikle aşınma belirtileri gösterdiğinde veya sorunlara sebep olduğunda değiştirin.

İğneyi aşağıdaki gibi değiştirin:

- İğne kelepçesi vidasını gevşetin ve yeni iğneyi taktıktan sonra tekrar sıkın. (1)
- İğnenin düz tarafı arkaya bakmalıdır.
- C/D. İğneyi sonuna kadar iterek takın.



### Dikkat:

İğneyi takmadan veya çıkartmadan önce makineyi düğmesinden kapatın.

İğneler mükemmel durumda olmalıdır. (2)

Aşağıdaki durumlarda sorunlar meydana gelebilir:

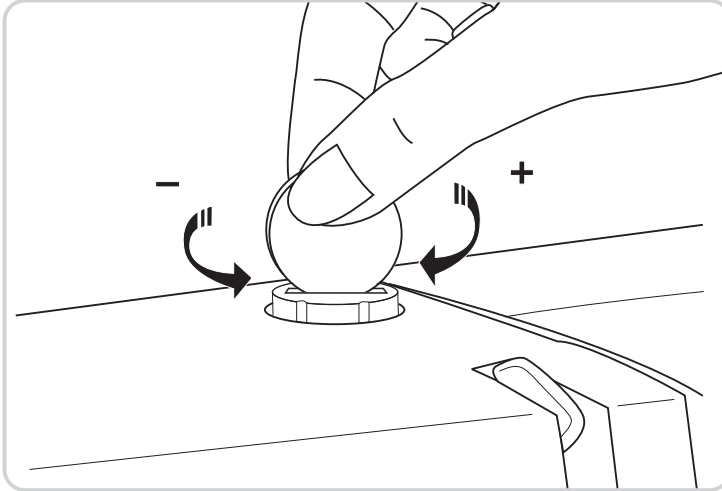
- Eğik iğneler
- Körelmiş iğneler
- Hasarlı noktalar

## İplik gerginliğinin ayarlanması

### Üst iplik gerginliği

Temel iplik gerginlik ayarı: "4"  
Gerginliği arttırmak için düğmeyi üst sayıya doğru çevirin.  
Gerginliği azaltmak için düğmeyi alt sayıya doğru çevirin.

- Normal iplik gerginliği
- İplik gerginliği fazla gevşek
- İplik gerginliği fazla gergin

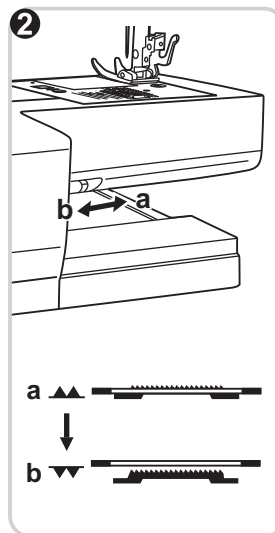
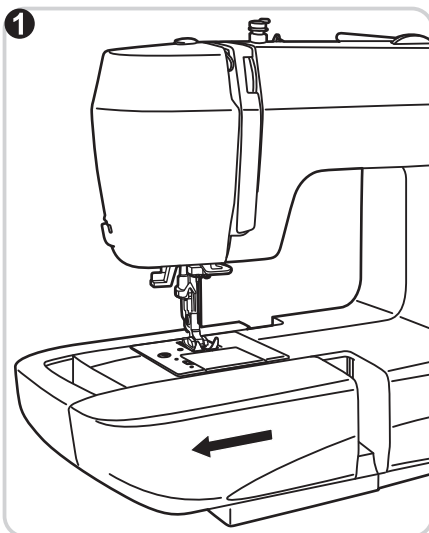


## Adjusting presser foot pressure

The presser foot pressure of the machine has been pre-set and requires no particular readjustment according to the type of fabric (light-or-heavy weight).

However, if you need to adjust the presser foot pressure, turn the presser adjusting screw with a coin.

For sewing very thin fabric, loosen the pressure by turning the screw counter clockwise, and for heavy fabric, tighten by turning it clockwise.



## How to drop feed dog

For ordinary sewing, keep the feed dog up, for freehand embroidery, sewing on buttons and darning, drop the feed dog.

To raise (a) and lower (b) feed dog.

PL

## Regulacja docisku s topki

Docisk stopki maszyny został fabrycznie ustawiony i nie wymaga szczególnej regulacji w zależności od rodzaju materiału.

Jeżeli jednak potrzebujemy wyregulować docisk stopki należy obrócić śrubę regulacji docisku moneta.

Dla bardzo cienkich materiałów należy zmniejszyć docisk stopki obracając śrubę przeciwnie do ruchu wskazówek zegara. Dla materiałów ciężkich należy zwiększyć docisk stopki, obracając śrubę zgodnie z ruchem wskazówek zegara.

## Opuszczanie ząbków transportera

Do standardowego szycia ząbki transportera powinny być podniesione. Do ręcznego haftowania, przyszywania guzików, cerowania należy opuścić ząbki transportera.

To raise (a) and lower (b) feed dog.

CZ

## Nastavení přítlaku patky

Přítlak patky je nastaven z továrny a nevyžaduje žádné úpravy podle typu látky (tenké nebo silné).

Kdybyste však přesto potřebovali přítlak patky změnit, otáčejte knoflíkem pro nastavení přítlaku pomocí mince.

Pro šití velmi tenké látky šroub povolte otáčením proti směru hodinových ručiček, pro silnou látku jej dotáhněte po směru hodinových ručiček.

## Zasouvání podavače

Pro běžné šití nechávejte zoubky podavače vysunuté, zasuněte je pro vyšívání volným pohybem, přišívání knoflíků a látání.

Vysunutí (a) a zasunutí (b) zoubků podavače.

TR

## Regolazione della pressione del piedino

La pressione del piedino può essere preregolata senza particolari operazioni per cucire diversi tipi di tessuto (leggero o pesante).

Nel caso sia necessario regolare la pressione del piedino, ruotare la vite con una moneta.

Per cucire tessuti molto sottili, allentare la vite girandola in senso antiorario, per tessuti pesanti, stringere la vite girandola in senso orario.

## Besleme ünitesinin nasıl indirileceği

Sıradan dikiş için, besleme ünitesini yukarı pozisyonda tutunuz ve serbest el brode, düğme dikişi ve örme için besleme ünitesini indiriniz.

Besleme ünitesini kaldırma (a) ve indirme (b).

## Matching needle / fabric / thread

### NEEDLE, FABRIC, THREAD SELECTION GUIDE

NEEDLE SIZE	FABRICS	THREAD
9-11(65-75)	Lightweight fabrics-thin cottons, voile, serge, silk , muslin, Qiana, interlocks, cotton knits, tricot, jerseys, crepes, woven polyester, shirt & blouse fabrics.	Light-duty thread in cotton, nylon or polyester.
12(80)	Medium weight fabrics-cotton, satin, kettleclote, sailcloth, double knits, lightweight woollens.	Most threads sold are medium size and suitable for these fabrics and needle sizes. Use polyester threads on synthetic materials and cotton on natural woven fabrics for best results. Always use the same thread on top and bottom.
14(90)	Medium weight fabrics-cotton duck, woolen, heavier knits, terrycloth, denims.	
16(100)	Heavyweight fabrics-canvas, woollens, outdoor tent and quilted fabrics, denims, upholstery material (light to medium).	
18(110)	Heavy woollens, overcoat fabrics, upholstery fabrics, some leathers and vinyls.	Heavy duty thread, carpet thread. (Use heavy foot pressure-large numbers.)



**IMPORTANT:** Match needle size to thread size and weight of fabric

### NEEDLE, FABRIC SELECTION

NEEDLES	EXPLANATION	TYPE OF FABRIC
HAx1 15x1	Standard sharp needles. Sizes range thin to large. 9 (65) to 18 (110)	Natural woven fabrics-wool, cotton, silk, etc. Qiana. Not recommended for double knits.
15x1/705H (SIN)	Semi-ball point needle, scarfed. 9 (65) to 18 (110)	Natural and synthetic woven fabrics, polyester blends. Knits-polyesters, interlocks, tricot, single and double knits. Can be used instead of 15x1 for sewing all fabrics.
15x1/705HS (SUK)	Full ball point needle 9 (65) to 18 (110)	Sweater knits, Lycra, swimsuit fabric, elastic.
130 PCL	Leather needles. 12 (80) to 18 (110)	Leather, vinyl, upholstery. (Leaves smaller hole than standard large needle.)



**Note:**

1. Twin needles, can be purchased for utility and decorative work.
2. When sewing with twin needles, the stitch width dial should be set at less than "4".
3. European needles show sizes 65, 70, 80 etc. American and Japanese needles show size 9, 11, 12 etc.
4. Replace needle often (approximately every other garment ) and / or at first thread breakage or skipped stitches.
5. Use a backing for fine or stretchy fabrics.



## Dobór igieł/materiałów/nici

Tabela doboru igieł, materiałów i nici

ROZMIAR IGŁY	MATERIAŁ	NITKA
9-11(65-75)	Lekka, cienka bawełna, woal, jedwab, muślin, cienkie dzianiny, trykoty, jersey, krepa, poliestr, tkaniny koszulowe.	Cienka nitka bawełniana, nylonowa lub poliestrowa.
12(80)	Średniej grubości bawełna, satyna, płótno żaglowe, podwójne dzianiny, cienka wełna.	Większość dostępnych nici to nici średniej grubości, odpowiednie do tych materiałów i igieł. Do tkanin syntetycznych należy używać nici poliestrowych, do tkanin naturalnych nici bawełnianych. Używać tej samej nitki jako górnej i dolnej.
14(90)	Bawełna średniej grubości, wełna, cięższe dzianiny, dzień, frotte.	
16(100)	Materiały ciężkie płótno, wełny, tkaniny do pikowania, namiotowe, dzień, materiały obiciowe, zasłony (lekkie do średnich).	
18(110)	Ciężkie wełny, materiały płaszczowe, obiciowe, skóra i tworzywa sztuczne.	Mocna nić, nić do dywanów. (Stosować duży docisk stopki).



**UWAGA:** Rozmiar igły należy dobrać do grubości nici i materiału.

### DOBÓR IGIEŁ DO MATERIAŁU

IGŁA	WYJAŚNIENIE	TYP MATERIAŁU
HA×1 15×1	Standardowa, ostra igła. Grubość od 9 (65) do 18 (110).	Tkaniny naturalne, wełna, bawełna, jedwab, itp. Nie zalecane do podwójnych dzianin.
15×1/705H (SIN)	Igła z półokrągłą końcówką, o grubości 9 (65) do 18 (110).	Tkaniny naturalne i syntetyczne, dzianiny poliestrowe, trykoty, pojedyncze i podwójne dzianiny. Może być stosowana zamiast igły 15×1 do szycia wszystkich materiałów.
15×1/705HS (SUK)	Igła z okrągłą końcówką 9(65) do 18(110)	Dzianiny swetrowi, lycra, materiał na kostiumy kąpielowe, elastic.
130 PCL	Igły do skóry. 12 (80) do 18 (110).	Skóra, winyl, mat. Obiciowe. (Pozostawia mniejsze dziurki niż standardowa, gruba igła).



**Uwaga:**

1. Igły podwójne mogą być stosowane do prac dekoracyjnych.
2. Przy szyciu igłą podwójną pokrętko szerokości ścięgu powinno być ustawione na wartość niższą niż "2,5".
3. Europejskie oznaczenia igieł to 65,70,80, itp., oznaczenia japońskie to 9,11,12, itp.
4. Należy często wymieniać igłę (po uszyciu każdej rzeczy) i przy pierwszych objawach zrywania nitki lub przepuszczania ścięgu.
5. Przy materiałach cienkich lub elastycznych należy stosować podkład.

## Odpovídající jehla / látka / nit

### PRŮVODCE VÝBĚREM JEHLY, LÁTKY A NITI

VELIKOST JEHLY	LÁTKY	NITĚ
9-11(65-75)	Lehké látky: Lehká bavlna, závoje, kepr, mušelín, bavlněné úplety, Žerzej, tkaný polyester, látky na halenky nebo košile.	Bavlněná nit, hedvábná nit, nylonová nit nebo syntetická nit.
12(80)	Středně těžké látky: Středně těžká bavlna, satén, úplet se dvěma oky, lehké vlněné úplety.	Běžně prodávané nitě jsou vhodné pro všechny druhy látek a velikosti jehel. Používejte syntetickou nit pro syntetické látky a bavlněnou nit pro látky z přírodních vláken. Přesvědčete se, že máte stejnou nit dole i v cívce.
14(90)	Středně těžké až těžké látky: Těžká bavlna, vlněné úplety, tlusté úplety, ratině, denim, manšestr.	
16(100)	Těžké látky: stramín, tlusté úplety, prošívání látky, denim, potahové látky (lehké až středně těžké).	
18(110)	Těžké látky: Látky na kabáty, látky na venkovní oblečení, některé kůže a vinyly.	Silná nit, nit na džínovinu. (Zvyšte napětí nitě).

**⚠ DŮLEŽITÉ UPOZORNĚNÍ:** Přesvědčte se, zda velikost jehly odpovídá tloušťce látky.

### VOLBA JEHLY PODLE TYPU LÁTKY

JEHLY	POPIS	DRUH LÁTKY
HAx1 15x1	Standardní univerzální jehly. Prodávané velikosti od 9 (65) do 18 (110).	Látky z přírodních vláken: Bavlna, len, hedvábní. Nedoporučujeme pro úplety se dvěma oky.
15x1/705H (SIN)	Polokuličkové jehly. Prodávané velikosti od 9 (65) do 18 (110).	Přírodní a syntetická vlákna nebo směs obou vláken: Tkané látky, trikotýn, úplety attend.
15x1/705HS (SUK)	Kuličkové jehly. Prodávané velikosti od 9 (65) do 18 (110).	Úpletovina pro svetry, lykra, látky na plavky, elastické látky.
130 PCL	Jehly s hrotem ve tvaru ostrého úhlu, 12 (80) až 18 (110).	Kůže, vinyl, měkké tkaniny z plastických hmot.

### ⚠ Poznámka:

- Dvojitá jehla může být použita pro ušitkové nebo okrasné stehy.
- Při použití dvojitých jehel by neměla šířka stehů překročit "4".
- Evropské velikosti jehel jsou označovány čísly 65, 70, 80 atd., americké a japonské velikosti jehel čísly 9, 11, 12, attend.
- Vyměňte jehly pravidelně nebo jakmile jeví první známky opotřebení: vynechané stehy nebo trhání nití.
- U jemných nebo strečových látek používejte podložku.

## İğne/ kumaş/ iplik seçimi

### İĞNE,KUMAŞ, İPLİK SEÇME KILAVUZU

İĞNE BÜYÜKLÜĞÜ	KUMAŞLAR	İPLİK
9-11(65-75)	Hafif kumaşlar-ince pamuk,inceyün, sürfile, ipek, müslin, Qiana, interlok, pamuk örgüleri, triko, jarse, krep, dokuma polyester, gömlek & bluz kumaşları.	Pamuk, naylon, polyester veya pamuk kaplama. Polyester esaslı hafif gövde ipliği.
12(80)	Orta ağırlıktaki kumaşlar-pamuk, saten, baş örtüsü, yelken bezi, çiftli örgüler, ince yünler.	Satılan çoğu iplikler normal boyutlu olup, bu kumaş ve iğne ebatlarına uygundur.
14(90)	Orta ağırlıktaki kumaşlar-pamuk branda bezi, yün, kalın örgüler, ilmek havlı kumaş, kot.	En iyi sonuçlar için; sentetik kumaşlar için polyester iplik ve doğal örgülü kumaşlar için pamuk iplik kullanın.
16(100)	Ağır kumaşlar-kanvas, yünlüler, çadır ve kapitone kumaşlar, kot, döşeme kumaşı (hafif-orta ağırlıkta).	Daima üstte ve altta aynı ipliği kullanın.
18(110)	Kalın yünlüler, manto kumaşı, bazı deriler ve vinil.	Ağır gövde,halı ipliği. (Yüksek ayak basıncını-büyük 18(110) rakamları kullanın)

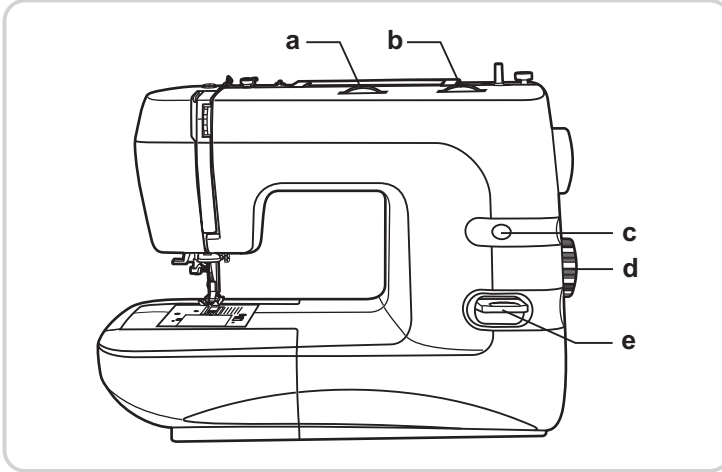
**⚠ ÖNEMLİ:** İğne ebatının, ipliğin boyutuna ve kumaşın ağırlığına uygun olmasını sağlayın.

### KUMAŞ TİPİNE GÖRE İĞNE SEÇİMİ

İĞNE	AÇIKLAMA	KUMAŞ TİPİ
HAx1 15x1	Standart sivri iğneler. İnceden kalına kadar. 9(65) 18(110)	Doğal dokuma kumaşlar: yün, pamuk, ipek vb.... Qiana. Çift ağılı trikolar için önerilmez.
15x1/705H (SUK)	Yuvarlatılmış, yarıbilya uçlu iğne. 9(65) - 18(110)	Doğal ve sentetik, polyester karışımı dokuma kumaşlar. Polyester dokuma, sok dokunmuş kumaşlar, tek ve çift ağılı trikolar. Tüm kumaşları dikmek için 15x1 yerine kullanılabilirler.
15x1/705H (SUK)	Bilya uçlu iğne. 9(65) - 18(110)	Kazak türü trikolar, Likra, mayo kumaşları, elastik kumaşlar.
130 PCL	Deri iğnesi. 12(80) - 18(110)	Deri, vinil, mobilya kumaşları (standart büyük iğnelere göre daha küçük bir delik bırakır).

### ⚠ Bilgi:

1. Pratik ve dekoratif işler için ikiz iğneler satın alınabilir.
2. İkiz iğneler ile dikiş yaparken dikiş genişliği düğmesi "4" dan daha aza ayarlanmalıdır.
3. Avrupa dikiş kalınlıkları 65, 70, 80 vs. dir. Amerikan ve Japon dikiş kalınlıkları 9, 11, 12 vs.
4. İğneleri düzenli olarak yenisi ile değiştirin (takriben ikinci bir dikiş işlerinden önce) veya ipliğin ilk kopmasında veya yanlış dikişlerde)
5. İnce ve genleşebilir kumaşlar için destek kat kullanınız.



### How to choose your pattern

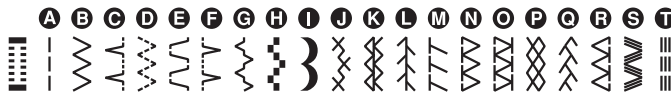
For straight stitch select pattern "A" with pattern selector dial. Adjust the stitch length with the stitch length dial. You may choose any needle position, by turning the stitch width dial.

For zigzag stitch, select pattern "B" with pattern selector dial. Adjust the stitch length and stitch width according to the fabric being used.

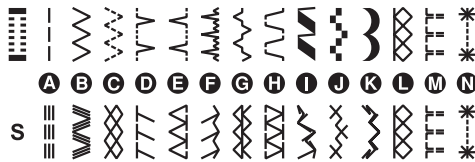
To obtain any of the other patterns shown in the upper row on the stitch selection panel, select the letter above the stitch with the stitch selector dial. Adjust the stitch length and the stitch width with the control dials according to the result desired.

To obtain any of the patterns on the second row, turn the stitch length dial to "S", select the pattern desired with pattern selector dial, and adjust the stitch width with the stitch width dial. (HZL-353Z, HZL-357Z)

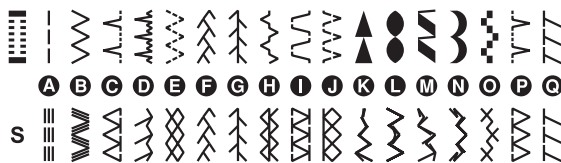
#### HZL-353Z Series



#### HZL-355Z Series



#### HZL-357Z Series



- a. Stitch width dial
- b. Stitch length dial
- c. Stitch display
- d. Pattern selector dial
- e. Reverse lever

## Jak wybrać ścieg

Aby szyć ściegiem prostym należy wybrać wzór "A" pokrętleń wyboru ściegu. Należy dostosować długość ściegu pokrętleń długości ściegu. Można wybrać dowolną pozycję igły przekręcając pokrętkę szerokości ściegu.

Aby uzyskać ścieg zygzakowy należy pokrętleń wyboru ściegu wybrać odpowiedni ścieg oraz dostosować długość i szerokość ściegu tak, aby uzyskać oczekiwany rezultat.

Aby uzyskać dowolny ścieg znajdujący się w górnym rzędzie, należy wybrać pokrętleń wyboru ściegu literę odpowiadającą wybranemu wzorowi oraz dostosować długość i szerokość ściegu tak, aby uzyskać oczekiwany rezultat.

Aby uzyskać dowolny ścieg znajdujący się w drugim rzędzie należy ustawić pokrętkę długości ściegu na "S1", wybrać żądany ścieg pokrętleń wyboru ściegu i wyregulować szerokość ściegu.  
(HZL-353Z, HZL-357Z)

1. Pokrętkę regulacji szerokości ściegu
2. Pokrętkę regulacji długości ściegu S1-S2
3. Okienko wybranego ściegu
4. Pokrętkę wyboru ściegu
5. Dźwignia szycia wstecz

## Volba stehů

Rovné stehy: otočte voličem stehů na požadovaný symbol nebo tak, aby se v okýnku objevilo písmeno "A". Nastavte polohu jehly vlevo nebo vpravo otáčením voliče šířky stehu. Nastavte délku stehu pomocí voliče stehů.

Klikatý steh: otočte voličem stehů na požadovaný symbol nebo tak, aby se v okýnku objevilo písmeno "B". Délku a šířku stehu nastavte v závislosti na používané látce.

Ostatní první stehy: otočte voličem stehů na požadovaný symbol nebo tak, aby se objevilo požadované písmeno. Délku a šířku stehu nastavte v závislosti na vašich potřebách.

Ostatní druhé stehy: otočte voličem stehů na požadovaný symbol nebo tak, aby se objevilo požadované písmeno. Otočte kolečko pro délku stehů do polohy "S". Šířku stehu nastavte podle vašich potřeb.  
(HZL-353Z, HZL-357Z)

- a. Knoflík nastavení šířky
- b. Knoflík nastavení délky
- c. Okénko výběru stehů
- d. Knoflík pro výběr stehu
- e. Páčka pro zpětné šití

## Dikiş tipinin seçilmesi

Düz dikiş için, dikiş tipi seçme düğmesini, "A" konumuna getirin.  
Dikiş uzunluğu ayar düğmesiyle dikiş uzunluğunu ayarlayın.

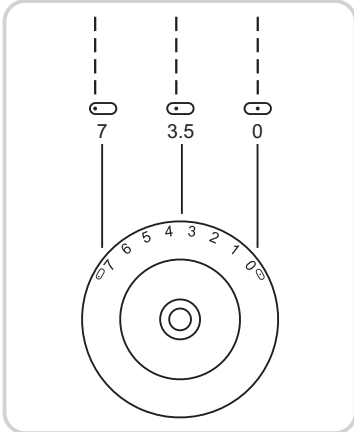
Zigzag dikiş için, dikiş tipi seçme düğmesini, "B" konumuna getirin.

Kullanılan kumaş tipine göre dikiş uzunluğunu ve dikiş genişliğini ayarlayın.

Dikiş seçim panelinde gösterilen diğer desenlerden birini seçmek için, dikiş tipi seçme düğmesiyle seçilecek desenin üzerinde yazılı harf seçilir. Arzulanan neticeye göre dikiş uzunluğunu ve dikiş genişliğini ayarlayın.

İkinci sıradaki desenlerden birini seçmek için, dikiş uzunluğu ayar düğmesini "S" konumuna getirin. Dikiş tipi seçim düğmesiyle, istediğiniz deseni seçin. (HZL-353Z, HZL-357Z)

- a. Dikiş genişliği çevirme
- b. Dikiş uzunluğu arama
- c. Desen gösterge penceresi
- d. Desen seçim düğmesi
- e. Geri dikiş kolu

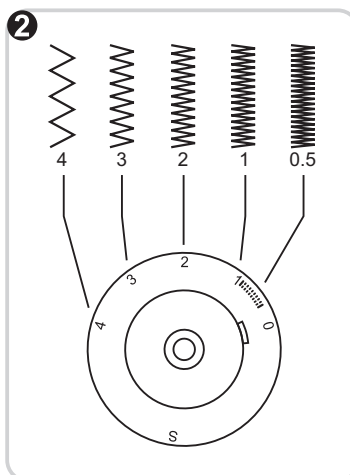
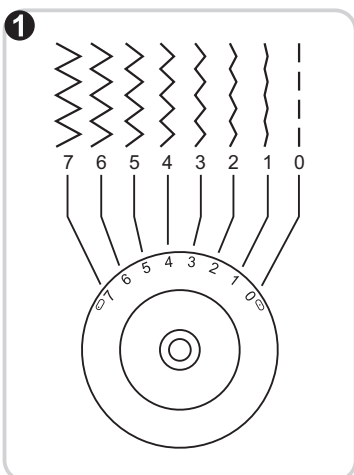


## Straight stitching and needle position

Turn the stitch selection dial so that the pointer is set to the straight stitch.

Generally speaking, the thicker the fabric, thread and needle, the longer the stitch should be.

Choose your needle position, from center position to left needle position by changing the stitch width dial from "0" to "7".



## Zigzag stitching

Turn the stitch selection dial to zigzag stitch.

### Function of zigzag dial

The maximum zigzag stitch width for zigzag stitching is "7"; however, the width can be reduced on any patterns. The width increases as you move zigzag dial from "0" - "7". For twin needle sewing, never set the width wider than "4". (1)

### Function of stitch length dial while zigzagging

The density of zigzag stitches increase as the setting of stitch length dial approaches "0". Neat zigzag stitches are usually achieved at "2.5" or below. (2)

### Satin stitch

Closed up zigzag stitches (close together) are referred to as a satin stitch. Set the stitch length between "0" - "1".

## Szycie ściegiem prostym I wybór położenia igły

Pokręćłem wyboru ściegu wybrać literę ściegiem prostym.

Wybierając długość ściegu należy pamiętać, że im grubszy materiał, nitka i igła, tym dłuższy powinien być ścieg.

Możesz wybrać pozycję igły od środkowego do lewego zmieniając szerokość ściegu od "0" do "7".

## Szycie ościegiem zygzakowym

Wybrać pokręćłem wyboru ściegu ścieg zygzakowy.

### Funkcje pokręćła szerokości ściegu

Maksymalna szerokość ściegu zygzakowego to "7", ale może ona zostać zredukowana. Szerokość ściegu zwiększa się przy obrocie pokręćła zygzak od "0" do "7". Dla igły podwójnej nie wolno ustawić szerokości większej niż "4" (1).

### Funkcje pokręćła długości ściegu przy ściegu zygzakowym

Gęstość ściegu zygzakowego zwiększa się przy ustawieniu pokręćła długości ściegu w okolicach "0". Ładny ścieg zygzakowy uzyskuje się zwykle przy ustawieniu "2,5" lub niższym (2).

### Ścieg satynowy

Gdy długość ściegu ustawiona jest w zakresie "0"- "1" ścieg jest bardzo gęsty.

## Šití rovným stehem a poloha jehly

Otočte voličem tak, aby se v okýnku pro zobrazení stehu objevil steh rovný.

Dodržujte následující pravidlo: Čím je látka těžší, tím by měla být jehla větší a steh delší.

Zvolte polohu jehly, od střední polohy po levou polohu, přičemž šířka stehu by se měla nacházet v rozpětí "0" až "7".

## Šití klikatým stehem

Turn the stitch selection dial to zigzag stitch.

### Funkce šířky stehu při šití

Maximální šířka klikatého stehu je "7". Tato šířka může být snižována nebo zvyšována otáčením kolečka od "0" do "7". Dvojitě jehly: maximální šířka "4". (1)

### Funkce délky stehu při šití

Hustota stehů se zvyšuje nastavením kolečka délky stehů v blízkosti polohy "0" (2). Pro ideální klikatý steh by délka stehu neměla přesahovat "2,5".

### Osnovní steh

Nachází-li se volič délky stehu mezi "0"- "1", stehy jsou velmi husté a výsledkem je tzv. osnovní steh.

## Düz dikiş ve iğne pozisyonu

Turn the stitch selection dial so that the pointer is set to the straight stitch.

Genellikle, düz dikiş durumunda kumaş, iğne ve iplik ne kadar kalın olursa, dikişde o kadar uzun olmalıdır.

Dikiş genişliği ayar düğmesini "0" dan "7" ye doğru getirerek, iğne pozisyonunu merkezen sola doğru seçebilirsiniz.

## Zigzag dikiş

Turn the stitch selection dial to zigzag stitch.

### Zigzag düğmesinin işlevi

Zigzag dikişinde en fazla zigzag dikiş genişliği "7" director Yinede genişlik herhangi bir desen için azaltılabilir. Zigzag düğmesini "0" dan "7" ye doğru arttırarak, genişliği arttırabilirsiniz. Çift iğneli dikiş için, asla genişliği "4" den fazla yükseltmeyin. (1)

### Zigzag dikiş yaparken dikiş uzunluğu ayar düğmesinin işlevi

Dikiş uzunluğu ayar düğmesinin ayarı "0" a yaklaştıkça, zigzag dikişlerin yoğunluğu artar. Düzgün zigzag dikişleri genellikle "2,5" veya altındaki değerlerde yapılır. (2)

### Saten dikiş

Kapalı zigzag dikişlere saten dikişleri denir. Dikiş uzunluğu "0" - "1" arasında olmalıdır.

## Sewing on buttons

Change presser foot to button sewing foot.

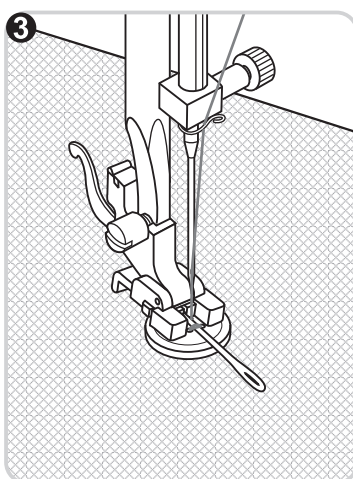
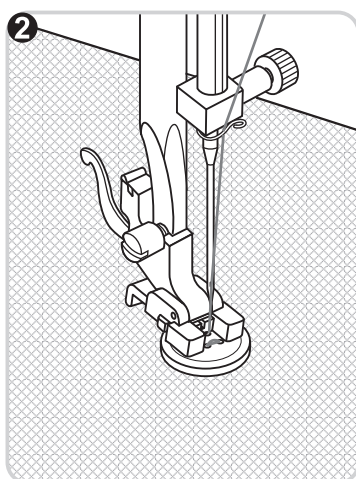
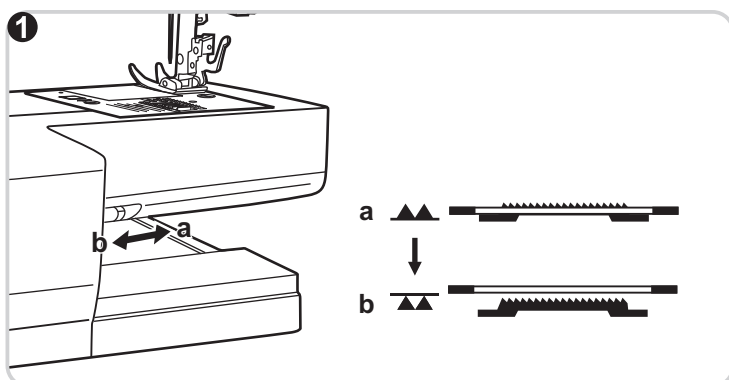
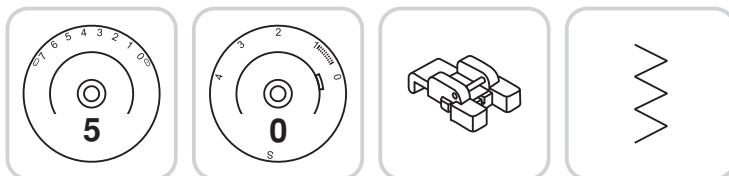
Move the drop feed control to "▲▲" to lower the feed dogs. (1)

Position the work under the foot. Place the button in the desired position, lower the foot.

Set the pattern selector knob on zig zag stitch. Adjust the stitch width between "3" - "5" according to the distance between the two holes of the button. Turn the handwheel to check that the needle goes cleanly into the left and right holes of the button. Set the pattern selector knob on straight stitch, and sew a few securing stitches.

Set the pattern selector knob on zig zag stitch, and slowly sew on the button with about 10 stitches. Set the pattern selector knob on straight stitch, and sew a few securing stitches.

If a shank is required, place a darning needle on top of the button and sew. (3) For buttons with 4 holes, sew through the front two holes first (2), push work forward and then sew through the back two holes. (3)





## Przyszywanie guzików

Wymienić stopkę na specjalną stopkę do przyszywania guzików.

Przesunąć "▲▲" regulator transportera (z tyłu maszyny) z pozycji a do b (rys. 1).

Ułożyć materiał pod stopką. Ustawić guzik w żądanej pozycji i opuścić stopkę. Ustawić pokrętko wyboru ściegu na zygzak. Wyregulować szerokość ściegu w zakresie "3" - "5", dostosowując ją do odległości pomiędzy dziurkami guzika. Obrócić kołem ręcznym aby sprawdzić czy igła wchodzi w lewą i prawą dziurkę guzika. Ustawić pokrętko wyboru ściegu na ścieg prosty i wykonać kilka ściegów mocujących nitkę. Wybrać ścieg zygzakowy i powoli przyszyć guzik 10 ma ściegami. Ponownie wybrać ścieg prosty i wykonać kilka ściegów mocujących. (2) (dla modeli z 3-ma pokrętkami)

Jeżeli wymagana jest stopka na guziku należy ułożyć igłę do cerowania i wówczas przyszyć guzik (rys. 3). Przy guzikach z 4-ma dziurkami należy najpierw przesyć przez przednie dziurki (rys. 2), przesunąć pracę do przodu i przesyć przez tylne dziurki (rys. 3).

## Přišívání knoflíků

Nainstalujte patku pro přišívání knoflíků.

Posuňte zápusťkovou páku podavače doprava, aby došlo k zapuštění podavače. (1)

Vložte knoflík a látku pod knoflíkovou patku podle obrázku.

Zvolte entlovací steh a nastavte šířku na "3" - "6". Otočením ručním kolem zkontrolujte, jestli jehla jde do pravé i levé dírky knoflíku a nedotýká se jej (upravte šířku stehu podle vzdálenosti dírek v knoflíku). Pomalu přišijte knoflík asi 10 stehy. Vytáhněte jehlu z látky, znovunastavte rovný steh a ušijte několik zajišťovacích stehů.

Pro přišíť knoflíků s ouškem nastavte jehlu na látání nad knoflík před jeho přišíťím k látce (3). Pro přišíť knoflíků se čtyřmi otvory přišijte knoflík nejprve za první dva otvory (2), a poté posuňte látku tak, aby mohly být přišíťy i zbylé dva otvory (3).

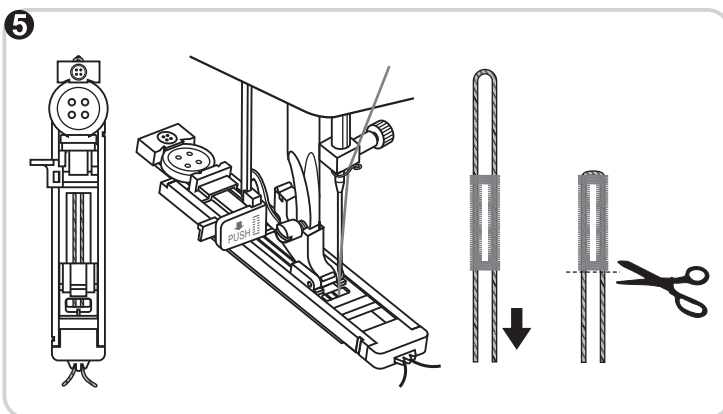
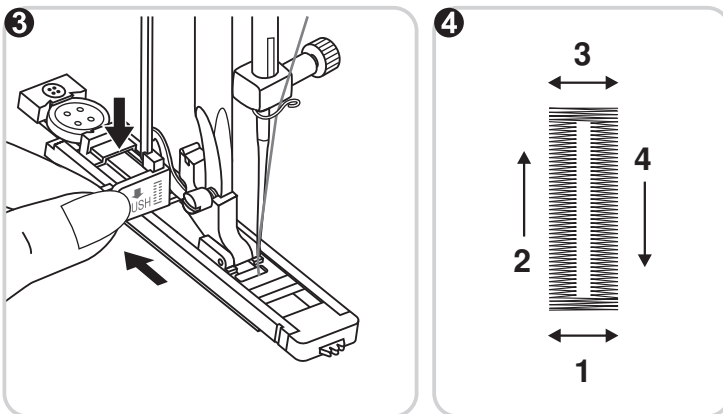
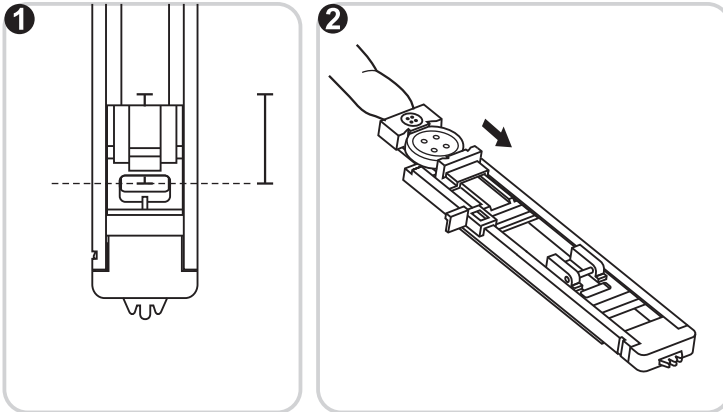
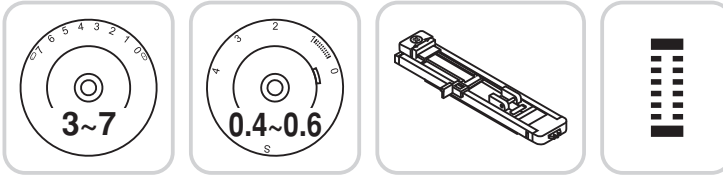
## Düğme dikme

Baskı ayağını düğme dikme ayağı ile değiştirin.

Dişliyi indirmek için dişli kontrol kolunu sağa getirin. (1)

Kumaşı ayağın altına yerleştirin. Düğmeyi işaretli yerin üstüne yerleştirin ve ayağı indirin. Dikiş tipi seçme düğmesini zigzag dikişine getirin. Dikiş genişliğini düğmenin iki deliği arasındaki mesafeye göre "3"- "5" arasında ayarlayın. İğnenin, düğmenin sağ ve sol deliklerine düzgün girip girmediğini, volanı çevirerek kontrol edin. Dikiş tipi seçme düğmesini konumuna getirin ve birkaç sağlamlaştırma dikişi yapın. Tekrar zigzag dikişine geçin ve düğmeyi yaklaşık 10 dikişle yavaşça dikin. Düz dikişe geçin ve birkaç sağlamlaştırma dikişi yapın. (2)

Bir düğme altı halkası gerektiğinde, örgü iğnesini düğmenin üstüne yerleştirin ve dikin. (3) Dört delikli düğmeler için, ilk önce iki ön deliği dikin (2). Sonra işi ileri itin ve iki arka deliği dikin. (3)



## How to sew buttonholes

Buttonhole-making is a simple process that provides reliable results.

### Making a Buttonhole

- Using tailor's chalk, mark the position of the buttonhole on the fabric.
- Attach the buttonhole foot and set the pattern selection dial to "3~7".
- Lower the presser foot aligning the marks on foot with the marks on the fabric as shown in fig. (1). (The front bar tack will be sewn first.)
- Open the button plate and insert the button. (2)
- Lower the buttonhole lever and push it back slightly as in fig. (3)
- While gently holding the upper thread, start the machine.
- Buttonhole stitching is done in the order shown in fig. (4)
- Stop the machine when the buttonhole is sewn.

### Making a Buttonhole on Stretch Fabrics (5)


When sewing buttonholes on stretch fabric, place a gimp thread under the buttonhole stitching.

- Mark the position of the buttonhole on the fabric with the tailor's chalk, attach the buttonhole foot, and set the pattern selection dial to "3~7".
- Hook the gimp thread onto the back end of the buttonhole foot, then bring the two gimp thread ends to the front of the foot, insert them into the grooves and temporarily tie them there.
- Lower the presser foot and start sewing.
- \* Set the stitch width to match the diameter of the gimp thread.
- Once sewing is completed, gently pull the gimp thread to remove any slack, then trim off the excess.


## Obszycwanie dziurek

Obszycwanie dziurek jest prostym procesem, gwarantującym ładne wykończenie dziurki.

### Wykonanie dziurki

- Kredą krawiecką zaznaczyc pozycję dziurki na materiale.
- Założyć stopkę do obszycwania dziurek i ustawić pokrętko wyboru ściegu w pozycji " ".
- Opuścić stopkę tak, aby znak na stopce pokrywał się ze znakiem na materiale (1). (Jako pierwszy zostanie wykonany przedni rygiel).
- Otworzyć płytkę stopki i włożyć guzik (2).
- Obniżyć dźwignię obszycwania dziurek i delikatnie popchnąć ją do tyłu (3).
- Uruchomić maszynę delikatnie przytrzymując górną nitkę.
- Dziurka obszycwana jest w kolejności pokazanej na rysunku (4).
- Po zakończeniu dziurki zatrzymać maszynę.


### Wykonywanie dziurek na materiałach elastycznych (5)

- Przy materiałach elastycznych należy podłożyć pod stopkę grubą nitkę lub kordonek. Przy obszycwaniu kolumny dziurki pokryją kordonek.
- Kredą krawiecką zaznaczyc pozycję dziurki na materiale, założyć stopkę do obszycwania dziurek i ustawić pokrętko wyboru ściegu w pozycji " ".
  - Założyć grubą nić od tyłu stopki, przełożyć końcówki do przodu, ułożyć w rowkach stopki i tymczasowo związać.
  - Opuścić stopkę i rozpocząć szycie.
  - \* Wyregulować szerokość ściegu tak, aby pokryć grubość kordonka.
  - Po zakończeniu obszycwania delikatnie pociągnąć końce nitki wzmacniającej aby ją naprężyć i obciąć nadmiar nitki.

## Obšívání knoflíkových dírek


Obšívání knoflíkových dírek je jednoduchým úkonem, který vykazuje velmi dobré výsledky.

### Postup při obšívání knoflíkové díry

- Křídou vyznačte polohu knoflíkové díry.
- Připevněte patku a nastavte volič motivů na pozici " ".
- Sklopte patku a narovnejte polohové značky na patce a označení na látce (1). (Prvními napichnutými body budou přední).
- Otevřete držák knoflíku a vložte do něho knoflík (2).
- Sklopte páčku držáku knoflíků a posuňte ji směrem dozadu (3).
- Lehce podržte horní nit a spusťte šicí stroj.
- Obšijte knoflíkovou díрку (4).
- Po obšítí knoflíkové díry šicí stroj zastavte.

### Obšítí knoflíkové díry na pružné látce (5)


Pro obšívání knoflíkových dírek na pružných látkách je nezbytná pomocná nit. Tato nit bude krytá v průběhu obšívání knoflíkové díry.

- Pomocí křídly polohu knoflíkové díry označte na pružné látce a poté připevněte patku a nastavte volič motivů na pozici " ".
- Položte pomocnou nit na zadní část patky, oba dva konce nitě natáhněte směrem dopředu, upevněte je v drážce a konce svažte.
- Sklopte patku a obšijte knoflíkovou díрку.
- \* Přizpůsobte šířku stehu tloušťce látky.
- Po dokončení obšítí knoflíkové díry zatáhněte lehce za nit, upevněte ji a odstříhněte přebytečnou část.

## Tek adımda ilik açma


İlik açma dikışı güvenilir sonuçlar sağlayan basit bir işlemdir.

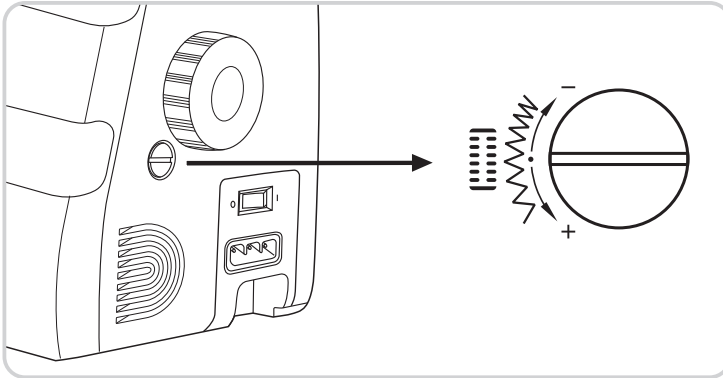
### İlik Açmak

- Terzi tebeşiri kullanarak, kumaşın üzerindeki ilik konumunu işaretleyin.
- İlik açma ayağını takın ve dikiş tipi seçme düğmesini "  " konumuna getirin.
- Kumaşı ayağın altına yerleştirin ve ilik ayağı üzerindeki işareti, kumaş üzerindeki başlatma işareti ile eşleştirin (1). (Ön çizgi yolu önce dikilecektir.)
- Düğme kapağını açın ve düğmeyi yerleştirin. (2)
- İlik kolunu aşağı indirin ve yavaşça arkaya itin. (3)
- Üst ipliği hafifce tutarken, makineyi çalıştırın.
- İlik açma dikışı sırayla yapılacaktır. (4)
- İlik dikildiğinde makineyi durdurun.

### Esnek Kumaşlarda İlik Açma (5)

Esnek kumaşa ilikleri dikerken, ilik ayağının altında kalın iplik kullanın. İlik dikildiğinde, bacaklar sicimi örtecektir.

- Terzi tebeşiri kullanarak, kumaşın üzerindeki ilik konumunu işaretleyin.
- İlik açma ayağını takın ve dikiş seçme düğmesini "  " konumuna getirin.
- İlik açma ayağının sonuna doğru, kalın ipliği çekin. Sonra iki kalın ipliği, ayağın arkasından önüne getirin. Oluklardan içeri geçirin ve geçici olarak fiyonk atın.
- Ayağı indirin ve dikişe başlayın.
- \* Çapı eşleştirmek için dikiş genişliğini ayarlayın.
- Dikış bittiğinde, bir gevşeklik olmaması için kalın ipi nazikçe çekin. Sonra fazlalıkları kırıpın.



## Left and right side balance for buttonhole

Stitch density on right and left sides of buttonhole can be adjusted by button-hole balance control dial.

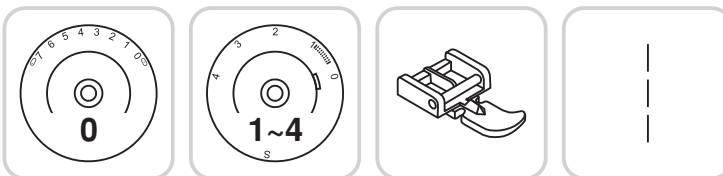
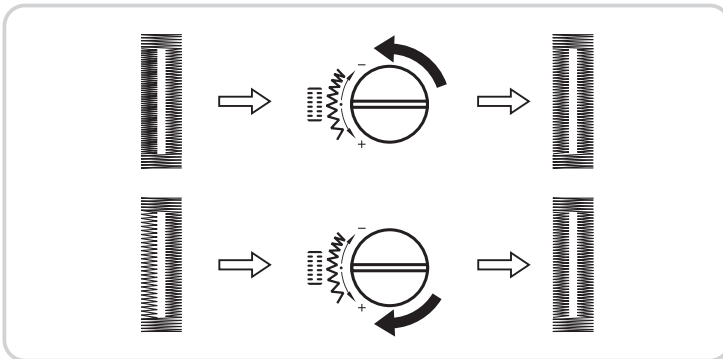
This dial should usually be in a neutral position. (between "+" and "-")

If the stitches on the left side of the buttonhole are too close together, turn the dial to the left (+).

\* Turning dial to the left opens left side.

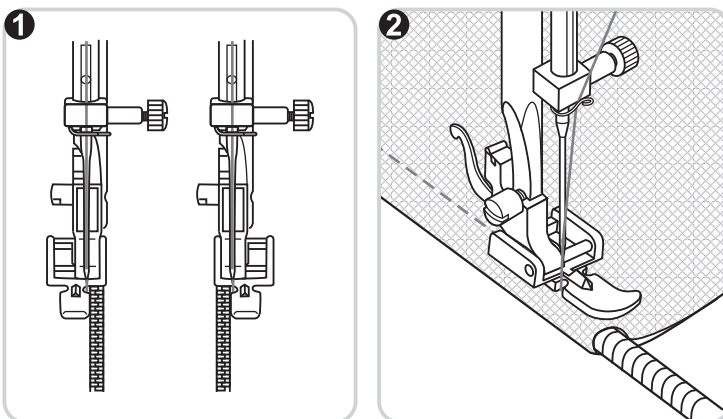
If the stitches on the left side of the buttonhole are too open, turn the dial to the right (-).

\* Turning dial to the right closes left side.



## Zippers and piping

The zip foot can be inserted right or left, depending on which side of the foot you are going to sew. (1)



To sew past the zip pull, lower the needle into the fabric, raise the presser foot and push the zip pull behind the presser foot. Lower the foot and continue to sew.

It is also possible to sew in a length of cord, into a bias strip to form a 'welt'.

Set stitch length control between "1" - "4" (according to thickness of fabric). (2)

PL

## Korygowanie gęstości ściegu przy obszywaniu dziurki

Gęstość ściegu kolumny dziurki może być regulowana pokrętle balansu dziurki.

Pokrętko to powinno być zwykle ustawione w pozycji neutralnej (pomiędzy "+" i "-").

Jeżeli ścieg lewej kolumny dziurki jest zbyt gęsty należy obrócić pokrętko w lewo (+).

\* Taki obrót pokrętkła rozrzedzi ścieg lewej kolumny.

Jeżeli ścieg lewej kolumny jest zbyt rzadki należy obrócić pokrętko w prawo (-).

\* Obrót pokrętkła w prawo zagęści ścieg lewej kolumny.

CZ

## Vyrovnaní levé a pravé části knoflíkové dírky

Hustota levé a pravé strany knoflíkové dírky může být nastavena pomocí vyrovnávacího kolečka.

Toto tlačítko by se mělo za normálních okolností nalézat v prostřední poloze (mezi "+" & "-").

Jsou-li stehy na levé straně knoflíkové dírky příliš malé, otočte knoflíkem doleva (+).

\* Hustota stehu na levé straně tak bude zvýšena.

Jsou-li stehy na levé straně knoflíkové dírky příliš velké, otočte knoflíkem doprava (-).

\* Hustota stehu na levé straně tak bude zmenšena.

TR

## İlik için sağ ve sol köşe dengesi

İliğin sağ ve sol kenarındaki dikiş sıklığı, ilik denge kontrol vidasıyla ayarlanabilir.

Bu vida genellikle nötr durumda bulunmalıdır. ("+" ve "-" arasında)

Eğer ilığın sol kenarındaki dikişler çok sık ise, vidayı sola çevirin. (+)

\* Vidayı sola çevirmek, sol kenarın dikişlerini genişletir.

Eğer ilığın sol kenarındaki dikişler çok geniş ise, vidayı sağa çevirin. (-)

\* Vidayı sağa çevirmek sol kenarın dikişlerini daraltır.

## Suwaki i oblamowania

Stopka do wszywania zamków może być założona z prawej lub lewej strony igły, w zależności od tego, którą stroną stopki chcemy szyć (1).

Aby przeszyć po suwaku zamka należy wbić igłę w materiał, podnieść stopkę i przesunąć suwak zamka poza stopkę. Opuścić stopkę i kontynuować szycie.

W ten sposób możliwe jest również obszywanie sznurka lamówką.

Ustawić długość ściegu w zakresie "1" - "4" (w zależności od grubości materiału). (2)

## Přišívání zipů

Patka pro přišívání zipů může být připevněna z levé nebo pravé strany v závislosti na tom, kterou stranu zipu si přejete přišíť. (1)

Aby nedocházelo k vychýlení, když se dostanete až k jezdcí, nechte jehlu zapíchnutou v látce. Nadzvedněte přítlačnou patku a posuňte jezdce za ni. Spusťte patku a pokračujte v přišívání.

Patku pro přišívání zipů můžete používat rovněž pro přišívání prýmků nebo lemůvek.

Nastavte délku stehu mezi "1" a "4", v závislosti na tloušťce látky. (2)

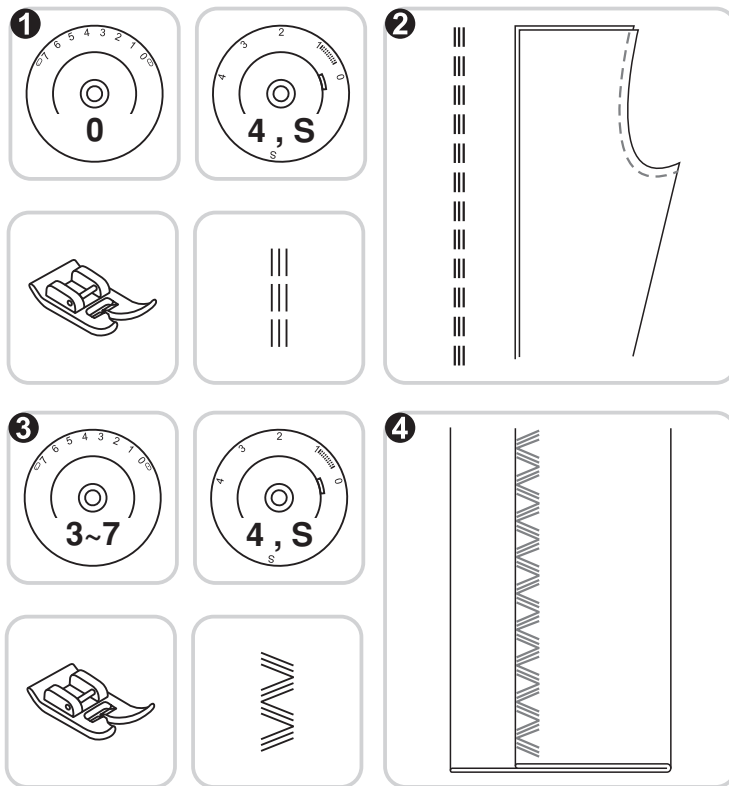
## Fermuar dikme ve biyeleme

Ayağın hangi tarafı ile dikiş yapacağınıza bağlı olarak, fermuar ayağı sağa veya sola takılabilir. (1)

Fermuarı tamamen dikmek için, iğneyi kumaşın içine indirin, baskı ayağını kaldırın ve fermuarı sonuna kadar baskı ayağının arkasına doğru itin. Ayağı indirin ve dikiş devam edin.

Sicim boyunca, bir "kenar şeridi" yapacak şekilde dikiş yapmak mümkündür.

Dikiş uzunluğunu kumaşın kalınlığına göre "1"- "4" arasında ayarlayın. (2)



## Stitch selection

Turn the stitch length dial to "4".  
(HZL-353Z)

Turn the stitch length dial to "S".  
(HZL-355Z, HZL-357Z)

### Triple straight stitch: (1/2)

For hardwearing seams.

The machine sews two stitches forwards and one stitch backwards.

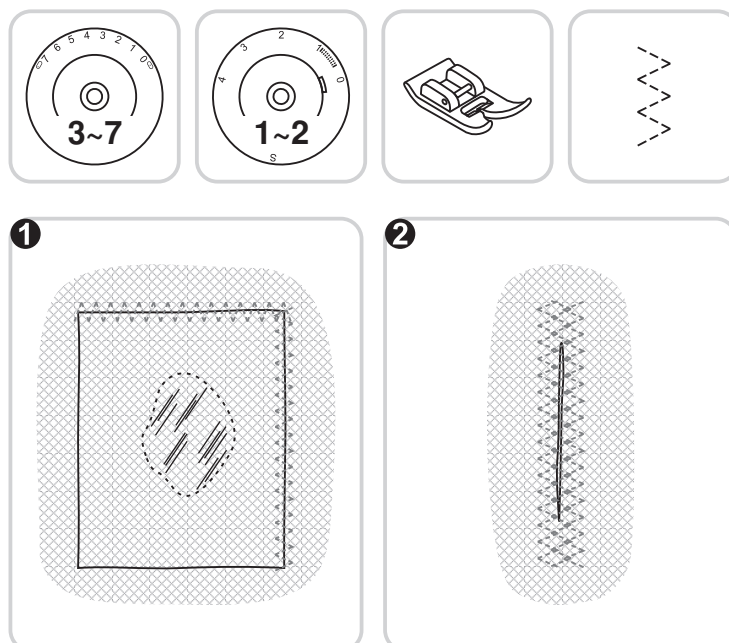
This gives triple reinforcement.

### Triple zig-zag: (3/4)

For hardwearing seams, hems and decorative seams.

Adjust the stitch width dial to between "3" and "7".

Triple zig-zag is suitable for firm fabrics like denim, corduroy, etc.



## 3-step zig-zag

Sewing on lace and elastic, darning, mending, reinforcing edges.

Place patch in position.

The stitch length can be shortened to produce very close stitches. (1)

When mending tears, it is advisable to use a piece of backing fabric to reinforce. The stitch density can be varied by adjusting the stitch length. First sew over the center and then overlap on both sides.

Depending on the type of fabric and damage, sew between 3 and 5 rows. (2)



## Wybór ściegu

Ustawić pokrętko długości ściegu w pozycji "4".

(HZL-353Z)

Ustawić pokrętko długości ściegu w pozycji "S".

(HZL-355Z, HZL-357Z)

### Ścieg prosty potrójny: (1/2)

Przeznaczony do szwów wzmocnionych.

Maszyna będzie wykonywała dwa ściegi do przodu i jeden ścieg do tyłu, co daje potrójne wzmocnienie szwu.

### Zygzak trójstopniowy: (3/4)

Przeznaczony do szwów wzmocnionych, podwinąć i elementów dekoracyjnych.

Ustawić pokrętko szerokości ściegu w zakresie "3" - "7".

Zygzak trójstopniowy przeznaczony jest do sztywnych materiałów jak denim, sztruks, itp.

## Wielościęgowy ścieg zygzakowy

Stosowany jest do szycia takich materiałów jak elastyki oraz koronka, do cerowania, haftowania oraz wzmocnienia brzegów.

Umieść łąkę na materiale. Długość ściegu może być zmniejszona, aby utworzyć bardzo zagęszczone ściegi. (1)

Przy cerowaniu rozdarć, zaleca się podkładać kawałek materiału od spodu dla wzmocnienia. Gęstość ściegu można ustawiać regulując długość ściegu. Najpierw przeszyć środek rozdarcia, a następnie brzegi.

Zależnie od gatunku materiału i wielkości uszkodzenia wykonać 3 do 5 szwów. (1)

## Volba stehů

Otočte voličem délky stehu do polohy "4". (HZL-353Z)

Otočte voličem délky stehu do polohy "S". (HZL-355Z, HZL-357Z)

### Rovný trojitý steh: (1/2)

Používá se na velmi pevné švy.

Stroj bude šít dva stehy dopředu a jeden dozadu, což umožňuje získat trojitě zesílení švu.

### Trojité klikatý steh: (3/4)

Používá se na velmi pevné švy, na ozdobné švy a záložky.

Nastavte volič šířky stehu mezi polohu "3" a "7".

Trojité klikatý steh se používá na odolné látky, jako je například džínovina, manšestr attend.

## Klikatý steh na tři etapy

Používá se na krajky a pružné části, k záplatování, spravování trhlin a zesilování okrajů.

Nastavte šicí stroj tak, jak je znázorněno na schématu. Položte kousek tkaniny na poškozenou látku. (1)

Pro spravování roztržené látky doporučujeme na rub umístit kus látky. Šijte nejprve uprostřed a poté po obou stranách. Podle typu látky a jejího poškození šijte 3 až 5 stehů. (2)

## Düz dikiş ve Rikrak dikiş

Dikiş uzunluęu düęmesini "4" konumuna getirin. (HZL-353Z)

Dikiş uzunluęu düęmesini "S" konumuna getirin. (HZL-355Z, HZL-357Z)

### Üçlü düz dikiş: (1/2)

Bu dikiş dayanıklı giyisileri saęlamlaştırmak için kullanılır.

Makine, iki ileri ve bir geri dikiş yapacaktır.

Bu üçlü bir saęlamlaştırma saęlar.

### Üçlü Zygzag: (3/4)

**For hardwearing seams, hems and decorative seams.**

Dikiş genişlięini "3" ve "7" arasında ayarlayın.

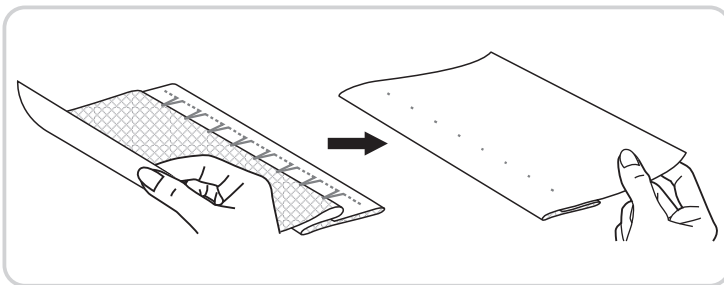
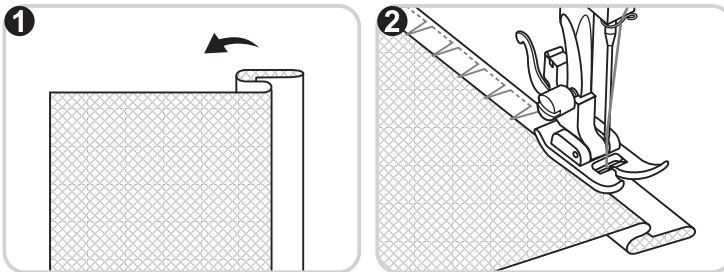
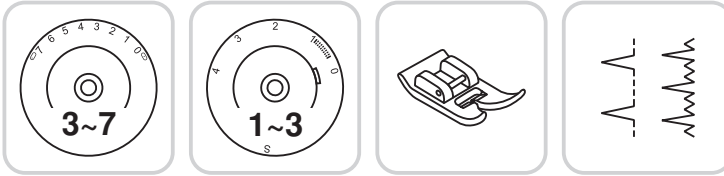
Kot, kadife, poplin, dok gibi dayanıklı giysiler için uygundur.

## Üç Adım Zygzag dikiş

Dantel ve elastik, örgü, tamir, saęlamlaştırılan kenar, punteriz üzerinde dikiş yapma.

Yamay ayarlayın. Çok yakın dikişler elde etmek için, dikiş uzunluęu azaltılabilir. (1)

Yırtıkları tamir ederken, desteklemek için bir parça arkalık kumaşı kullanmanız tavsiye edilir. Dikiş uzunluęu ayarlanarak dikiş yoęunluęu deęiştirilebilir. İlk önce ortayı dikiin. Ardından her iki kenarı üst üste bindirin. Kumaşın tipine ve hasara baęlı olarak, 3-5 sıra dikiş yapın. (2)



## Blind hem

For hems on curtains, trousers, skirts, etc.

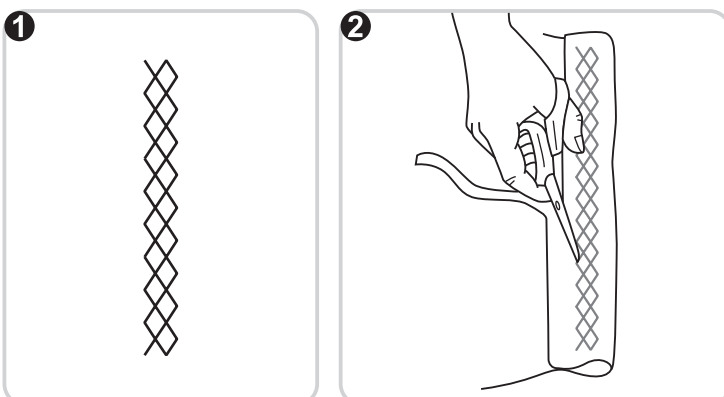
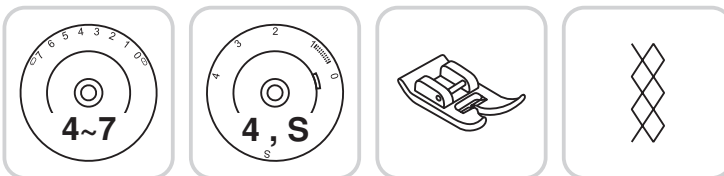
Blind hem for stretch fabrics. (HZL-355Z, HZL-357Z)

Blind hem for firm fabrics.

Turn up the hem to the desired width and press. Fold back (as shown in Fig. 1) against the right side of the fabric with the top edge of the hem extending about 7 mm (1/4") to the right side of the folded fabric.

Start to sew slowly on the fold, making sure the needle touches slightly the folded top to catch one or two fabric threads. (2)

Unfold the fabric when hemming is completed and press.



## Smocking stitch

Turn the stitch length dial to "4". (HZL-353Z)

Turn the stitch length dial to "S". (HZL-355Z, HZL-357Z)

Seams, hems, T-shirts, underwear, etc.

This stitch can be used for all types of jersey as well as for woven fabrics. (1)

Sew at 1 cm (1/4") from the fabric edge and trim the surplus fabric. (2)



## Ścieg kryty

Służy do niewidocznych podwinięć zasłon, skracania spodni, spódnic itp.

⚙️ Ścieg kryty dla materiałów elastycznych. (HZL-355Z, HZL-357Z)

⚙️ Ścieg kryty dla tkanin.

Podwinąć żądany kawałek materiału i przeprosować go. Przełożyć materiał na lewą stronę (jak na rysunku) tak, aby górna krawędź nachodziła około 7 mm (1/4") na złożony materiał. (1)

Powoli rozpocząć szycie na złożonym kawałku tak, aby igła lekko dotykała przełożonej krawędzi i chwyciła tylko jedno lub dwa włókna materiału. (2)

Po zakończeniu szycia należy rozłożyć i przeprosować materiał.

## Ścieg plaster miodu

Pokręćło długości ściegu w pozycji "4". (HZL-353Z)

Pokręćło długości ściegu w pozycji "S". (HZL-355Z, HZL-357Z)

Stosowany do łączenia materiałów, podwinięć w koszulkach, bieliznie.

Ścieg może być stosowany do wszystkich rodzajów dzianin oraz tkanin (1).

Przeszyć w odległości ok. 1 cm (1/4") od brzegu materiału i obciąć materiał poza ściegiem (2).

## Slepý steh

Pro lemování závěsů, zakládání kalhot, sukni atd.

⚙️ Slepý steh pro pružné látky. (HZL-355Z, HZL-357Z)

⚙️ Slepý steh/prádlový pro pevné látky.

Otočte lem na požadovanou šířku a sežehlete jej. Přeložte jej zpět (dle obr. 1) na lícovou stranu, aby horní okraj lemu přesahoval asi o 7 mm (1/4") na lícovou stranu přeložené látky.

Začněte pomalu šít po překladu, aby se jehla lehce dotýkala přeloženého okraje a zachycovala jen asi jedno či dvě vlákna látky (2).

Po došití látku rozložte a sežehlete.

## Pružný steh

Otočte voličem délky stehu do polohy "4". (HZL-353Z)

Otočte voličem délky stehu do polohy "S". (HZL-355Z, HZL-357Z)

Určený pro švy, záložky, trička, spodní prádlo attend.

Tento steh může být použit: Pro různé typy Žerzej (úpletoviny) a pro tkané látky. (1)

Šijte lem přibližně 1 cm od ustřiženého okraje látky a poté odstrihněte její přebytečný okraj. (2)

## Gizli dikiş

Kenarlar, perde, pantolon, etek vs. için.

⚙️ Esnek kumaşlar için gizli dikiş. (HZL-355Z, HZL-357Z)

⚙️ Sert kumaşlar için gizli/iç çamaşır dikişi.

Kenarı istediğiniz kadar kıvrın ve bastırın. Kenarın üst ucu katlanılan kumaşın düz tarafına yaklaşık 7 mm (1/4") uzayacak şekilde kumaşı, düz tarafa doğru kıvrın (şekil 1 'de gösterildiği gibi).

Kıvrılan kısmı yavaşça dikmeye başlayın ve bir veya iki kumaş ipliğini (2) yakalaması için iğnenin kıvrımın üst tarafına hafif temas ettiğinden emin olun.

Kenar kıvrıma tamamlandığında kumaşı açın ve bastırın.

## Bal peteği dikişi

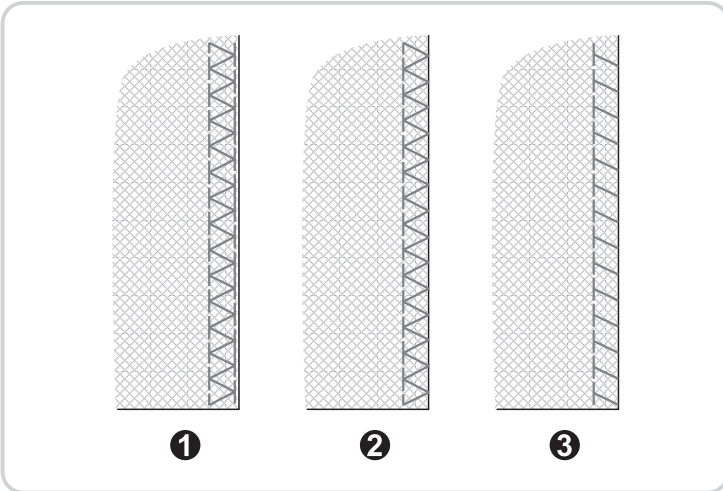
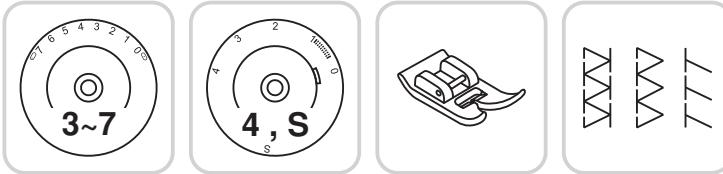
Dikiş uzunluğu düğmesini "4" konumuna getirin. (HZL-353Z)

Dikiş uzunluğu düğmesini "S" konumuna getirin. (HZL-355Z, HZL-357Z)

Ek yerleri, kenarlar, T-shirtler, iç çamaşırları için.

Bu dikiş tipi, bütün jarse ve örgülü kumaşlar için kullanılabilir. (1)

Kenar kıvrıma için, bal peteği dikiş desenini kullanırken, kumaş kenarının 1cm içerisinden dikmeye başlayın ve kumaşın fazlalığını kesin. (2)



## Overlock stitches

Turn the stitch length dial to "4".  
(HZL-353Z)

Turn the stitch length dial to "S".  
(HZL-355Z, HZL-357Z)

Seams, neatening, visible hems.

### Double overlock stitch (1):

For fine knits, handknits, seams.

### Standard overlock (2):

For fine knits, jerseys, neck edges, ribbing. (HZL-353Z, HZL-357Z)

### Stretch overlock (3):

For fine knits, jerseys, neck edges, ribbing.

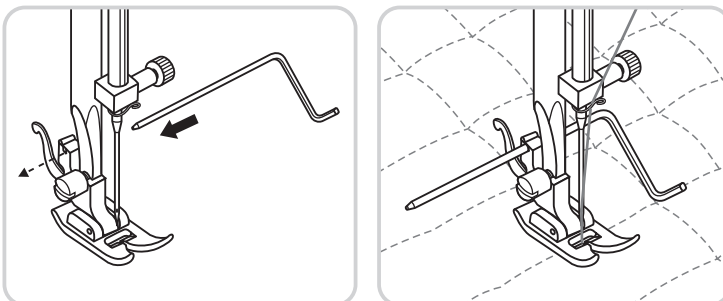
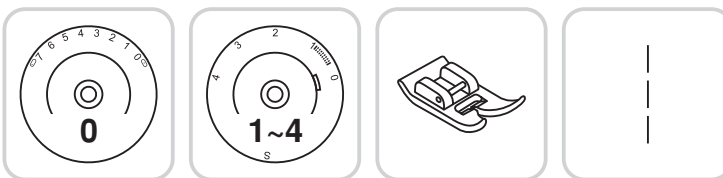
All overlock stitches are suitable for sewing and neatening edges and visible seams in one operation.

When neatening, the needle should just go over the edge of the fabric.



### Attention:

Use new needles or ball point needles! or stretch needle!



## Quilting

Insert the quilt guide in presser foot holder and set the space as you desired.

Move the fabric over and sew successive rows with the guide riding along on the previous row of stitching.

## Ściegi overlokowe

Ustawić pokrętko długości ściegu w pozycji "4". (HZL-353Z)

Ustawić pokrętko długości ściegu w pozycji "S".

(HZL-355Z, HZL-357Z)

Seams, neatening, visible hems.

### Ścieg overlockowy zamknięty (1):

Do cienkich dzianin, łączenia materiałów.

### Ścieg overlockowy, standardowy (2):

Stosowany do cienkich dzianin, jerseyu, wykończeń dekoltu. (HZL-353Z, HZL-357Z)

### Ścieg overlockowy elastyczny (3):

Do cienkich dzianin, Jersey, wykończeń dekoltu.

Wszystkie ściegi overlockowe służą do szycia i wykończenia brzegów w jednej operacji lub wykonywania ozdobnych podwinięć.

Przy obrzucaniu brzegów materiału igła powinna lekko wychodzić poza brzeg materiału.

#### Uwaga:

Należy używać nowych igieł, igieł z zaokrągloną końcówką lub do materiałów elastycznych.

## Quilting

Włóżyc prowadnik krawędziowy w uchwyt stopki tak jak jest to pokazano na rysunku I ustawić żadaną odległość.

Wykonać pierwsza linie, a następnie kolejne, aż do uzyskania požadanego wyglądu wyszywanego materiału.

## Obnitkovací stehy

Otočte voličem délky stehu do polohy "4". (HZL-353Z)

Otočte voličem délky stehu do polohy "S". (HZL-355Z, HZL-357Z)

Používá se pro švy, obnitkovávání okrajů látky a viditelné lemy.

### Dvojité obnitkovací steh (1):

Pro jemné úpletoviny, ručně pletené části, švy.

### Standardní obnitkovací steh (2):

Pro tkaniny s jemnými oky, úpletové látky, límce, lemy. (HZL-353Z, HZL-357Z)

### Obnitkovací steh (3):

Pro tkaniny s jemnými oky, úpletoviny, límce, lemy.

Všechny obnitkovací stehy mohou být používány pro současné prošívání a obnitkovávání okrajů látek. V závislosti na požadovaném efektu můžete přímo obnitkovávat ustřížený okraj nebo prošívat látku v jeho úrovni.

#### Upozornění:

Použijte novou jehlu nebo jehlu s kuličkovým hrotem!

## Prošívání

Vložte látku do držáku patky (podle obrázku) a nastavte mezeru podle přání.

Ušijte první šev a posouvejte látku tak, abyste šili podle předchozího prošití.

Zašite první vrstvu a posouvajte látku tak, aby ste robili postupné vrstvy podľa predchádzajúcej vrstvy.

## Sürfile dikişleri

Dikiş uzunluđu düğmesini "4" konumuna getirin. (HZL-353Z)

Dikiş uzunluđu düğmesini "S" konumuna getirin. (HZL-355Z, HZL-357Z)

Dikişler, sürfile dikiş, görünebilir kenarlar.

### Çift overlok dikişi (1):

İnce örgüler, el örgüleri, dikişler için.

### Standart overlok (2):

İnce örgüler, jarse, boyun kenarları, lastikli kenarlar için. (HZL-353Z, HZL-357Z)

### Esnek overlok (3):

İnce örgüler, jarse, boyun kenarları, lastikli kenarlar için.

Bütün overlok dikişleri, tek işlemdede dikiş, sürfile kenar ve görünür dikişler için uygundur. Sürfile dikiş yaparken, iğne kumaşın kenarı üzerinde gitmelidir.

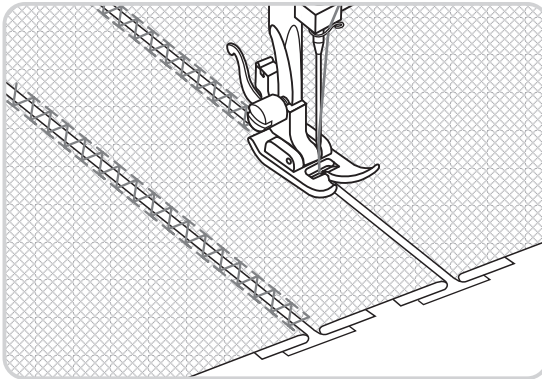
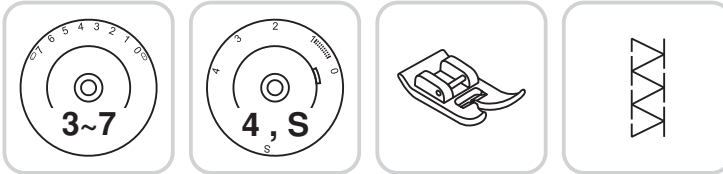
#### Dikkat:

Dikiş atlamalarını önlemek için yeni iğneler veya dolma kalem uçlu iğneler kullanın.

## Quilting

Kenar/kapitoneyi baskı ayağı tutucusuna takınız ve aralığı istediğiniz gibi ayarlayınız.

İlk sırayı dikiş ve bir önceki dikişe göre kılavuzla birlikte daha sonraki sıraları dikiş.



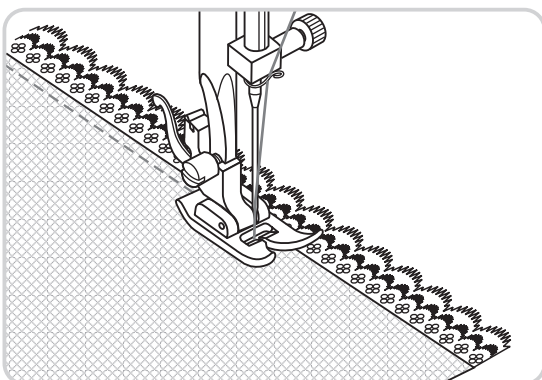
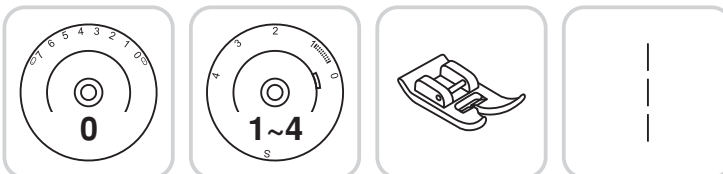
## Patch work

Turn the stitch length dial to "4".  
(HZL-353Z)

Turn the stitch length dial to "S".  
(HZL-355Z, HZL-357Z)

These stitches are used to join two pieces of fabric while leaving a space between their edges.

- Fold over the edges of the two pieces of fabric for the hem and baste the edges to a thin piece of paper leaving a small space between them.
- Stitch along the edge, pulling both threads slightly when beginning to sew.
  - \* Use thicker than normal threads for sewing.
- After sewing, remove the basting and the paper. Finish by tying knots on the reverse side at the beginning and the end of the seams.



## Attaching lace

- Turn stitch length dial to the desired length.
- Turn the stitch selector to straight stitch, center needle position.
- Fold in the edge of the fabric (approximately 6 mm 1/4").
- Place the lace under the folded edge of the fabric allowing it to underlap the fabric slightly as required by the pattern of the lace.
- Sew on the edge of the fabric fold.
- You can add a decorative touch by using the satin stitch to sew the lace.

## Patchworki

Ustawić pokrętko długości ściegu w pozycji "4". (HZL-353Z)

Ustawić pokrętko długości ściegu w pozycji "S". (HZL-355Z, HZL-357Z)

Ściegi te stosowane są do łączenia brzegów materiałów, z pozostawieniem pewnej odległości pomiędzy ich brzegami.

- Podwinąć brzegi dwóch kawałków materiału i przyfastrygować ich brzegi do cienkiego papieru, pozostawiając niewielką odległość pomiędzy materiałami.
- Szyć po brzegu materiału lekko pociągając obie nitki przy rozpoczęciu szycia.
- \* Użyć grubszej nitki.
- Po zakończeniu szycia usunąć fastrygę i papier. Zawiązać nitki na supełek na lewej stronie materiału, na początku i na końcu ściegu.

## Patchwork

Otočte voličem délky stehu do polohy "4". (HZL-353Z)

Otočte voličem délky stehu do polohy "S". (HZL-355Z, HZL-357Z)

Tyto stehy jsou určeny k sešití dvou kusů látky, přičemž mezi oběma okraji zůstane malá mezera.

- Ohněte kraje látek, abyste vytvořili lem, a sestehujte kraje na kus jemného papíru. Ponechejte mezi oběma částmi malou mezeru.
- Šijte podél okraje látky, přičemž na začátku švu odtahujte obě nitě na stranu.
- \* Na šití používejte silnější nitě než obvykle.
- Po ušití odstraňte stehy a papír. Svažte nitě (začátek a konec švu) na rubu, aby se nemožný párat.

## Yama-Ek yapma

Dikiş uzunluğunu düğmesini "4" konumuna getirin. (HZL-353Z)

Dikiş uzunluğunu düğmesini "S" konumuna getirin. (HZL-355Z, HZL-357Z)

Bu dikişler iki kumaş parçasını birleştirmek için kullanılır. Kumaşların kenarları arasında biraz mesafe bırakılır.

- Baskı için iki kumaş parçasını kenarlarını kıvrın. İki kenar arasında küçük bir mesafe bırakarak, ince bir kağıda kenarları teyelleysin.
- Dikişe başlarken, iplikleri hafifçe çekerek, kenar boyunca dakin.
- \* Dikiş için normalden kalın iplikler kullanın.
- Dikişten sonra, teyeli ve kağıdı sökün. Ters taraftaki dikiş yerinin başına ve sonuna düğüm atarak yamayı bitirin.

## Wszywanie koronek

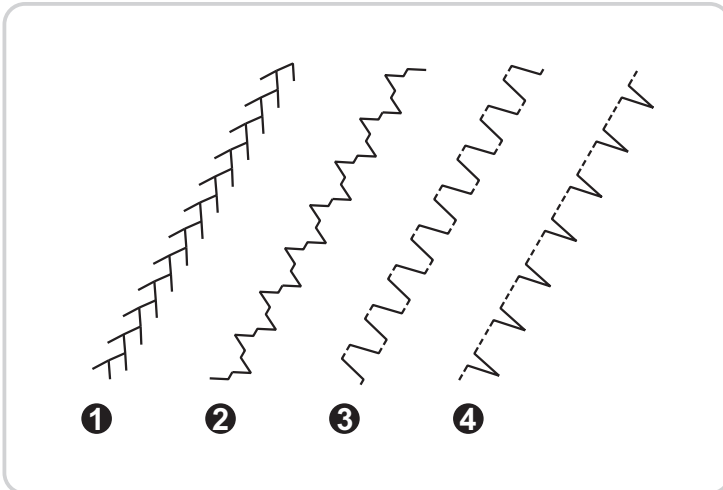
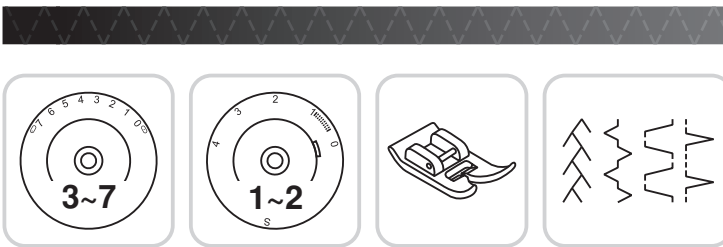
- Ustawić pokrętko długości ściegu na żądaną długość.
  - Pokrętko wyboru ściegu ścieg prosty, centralna pozycja igły.
  - Podwinąć brzeg materiału ok. 6 mm.
  - Ułożyć koronkę pod podwiniętym brzegiem, tak aby materiał lekko zachodził na koronkę, odpowiedni do wzoru koronki.
  - Przeszyć po brzegu materiału.
- Dodatkowy efekt dekoracyjny uzyskamy naszywając koronkę ściegiem satynowym.

## Našívání krajek

- Nastavte délku stehu podle požadavků.
- Nastavte volič stehu na pravý šev s jehlou uprostřed.
- Přehněte okraj nedokončeného díla přibližně o 6mm (1/4").
- Umístěte krajku pod přehnutý okraj tak, aby byla pod něho mírně zasunuta, přičemž dbejte na rovnoběžnost vzoru krajky.
- Šijte blízko přehnutého kraje.
- Můžete přidat trochu fantazie použitím osnovního stehu namísto stehu rovného.

## Dantel takma

- Dikiş uzunluğunu istenilen düzeyde ayarlayın.
- Dikiş tipi seçme düğmesini düz dikiş konumuna getirin ve iğne konumunu merkezleyin.
- Kumaşın kenarını içe kıvrın. (6 mm civarında)
- Danteli, kumaşın kıvrılmış kenarının altına yerleştirin. Deseni net olarak ortaya çıkaracak biçimde, danteli kumaşın altına uygun bir şekilde yerleştirin.
- Kumaşın kıvrılmış kenarını dakin.
- Danteli dikmek için, saten dikişi kullanarak, dekoratif bir görünüm elde edebilirsiniz.



## Practical stitches

Set the machine as illustrated. Turn the stitch width dial and stitch length dial to suit the fabric.

### Feather stitch (1)

For decorative joining seam for a fagotted effect. (HZL-353Z, HZL-357Z)

### Bridging (2)

For seams, place mats, tablecloths.

Decorative joining seam for a fagotted effect. Gathering with cord or shirring elastic.

### Rampart (3)

For flat joining seams, sewing on elastic, visible hems.

This stitch can be used for firm, thicker fabrics.

### Shell hem (4)

For decorative edges.

Suitable for edges on sheer, fine and stretch fabrics. The larger stitch should go just over the edge of the fabric to create the shell effect.

- This stitch requires a tighter thread tension than normal.
- Place the fabric under the presser foot so that it will be sewn along the bias with the straight stitches sewn on the seamline and the zigzag stitches sewn slightly over the folded edge.
- Sew at a slow speed.

## Praktyczne ściegi

Ustawić maszynę jak pokazano na rysunku.

Ustawić długość i szerokość ściegu odpowiednią dla stosowanego materiału.

### Ścieg piórkowy (1)

Do dekoracyjnego łączenia materiałów. (HZL-353Z, HZL-357Z)

### Ścieg mostkowy (2)

Szczególnie przydatny do obrzucania obrusów, wszywania sznurka, marszczenia czy szycia elastycznych tkanin.

### Ścieg trapezowy (3)

Do szwów płaskich łączących, wszywania gumek, ozdobnych podwinięć.

Ścieg ten może być stosowany do sztywnych, grubszych materiałów.

### Ścieg muszelkowy (4)

Do dekoracji brzegów.

Odpowiedni do przezroczystych, delikatnych i elastycznych materiałów. Większy ścieg powinien lekko wychodzić poza brzeg materiału, aby tworzyć efekt muszelki.

- This stitch requires a tighter thread tension than normal.
- Place the fabric under the presser foot so that it will be sewn along the bias with the straight stitches sewn on the seamline and the zigzag stitches sewn slightly over the folded edge.
- Sew at a slow speed.

## Ozdobné stehy

Nastavte šicí stroj tak, jak je znázorněno na schématu.

Šířka a délka stehu by měly být přizpůsobeny druhu látky.

### Pérový steh (1)

Určený pro stehy ozdobných švů s výrazným efektem. (HZL-353Z, HZL-357Z)

### Bridging (2)

For seams, place mats, tablecloths.

Decorative joining seam for a fagotted effect. Gathering with cord or shirring elastic.

### Rampart (3)

For flat joining seams, sewing on elastic, visible hems.

This stitch can be used for firm, thicker fabrics.

### Lasturový steh pro lemy (4)

Slouží pro ozdobné zesílení okrajů.

Hodí se pro okraje jemných, pevných a pružných materiálů. Velký steh by měl velmi lehce přesahovat látku, aby jí dodal lasturový efekt.

- This stitch requires a tighter thread tension than normal.
- Place the fabric under the presser foot so that it will be sewn along the bias with the straight stitches sewn on the seamline and the zigzag stitches sewn slightly over the folded edge.
- Sew at a slow speed.

## Pratik dikişler

Makineyi şekilde gösterildiği gibi ayarlayın.

Dikiş uzunluğunu kumaşa uygun olarak ayarlayın.

### Kılıçık veya tel örgü dikişi (1)

Bir demet etkisi yaratmak için dekoratif olarak birleştirilen dikiş. (HZL-353Z, HZL-357Z)

### Köprü dikişi (2)

Dikişler, yer paspasları, masa örtüleri için.

Kordon ile toplama yada lastik ile büzme.

### Sur dikişi (3)

Kordon ile birleştirme veya lastik ile büzme.

Bu dikiş, sert ve kalın kumaşlar için kullanılabilir.

### Dalgalı kenar dikişi (4)

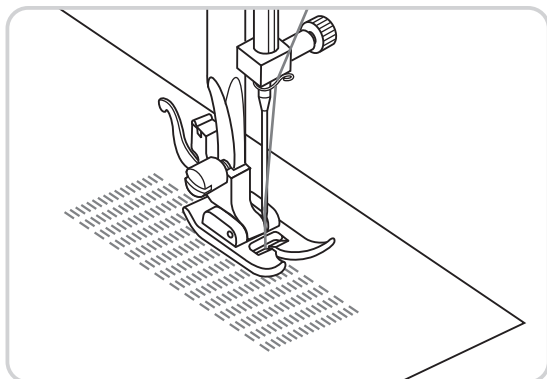
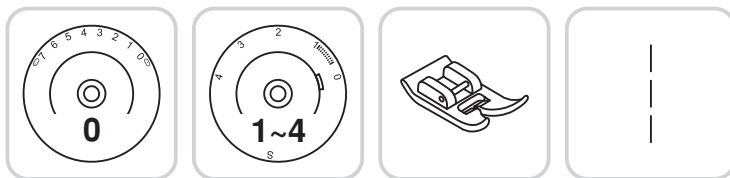
Süslemeli kenarlar için.

Şeffaf, ince ve streç kumaş kenarları için uygundur.

Kabuk efekti oluşturmak için daha geniş dikimle sadece kumaş kenarına gitmek gerekir.

- İnce, şeffaf ve esnek kumaşların kenarları için uygundur.
- Dalgalı kenar etkisi yaratmak için, daha büyük dikişler kumaşın kenarı üzerinde gitmelidir.
- Yavaş bir hızda diker.

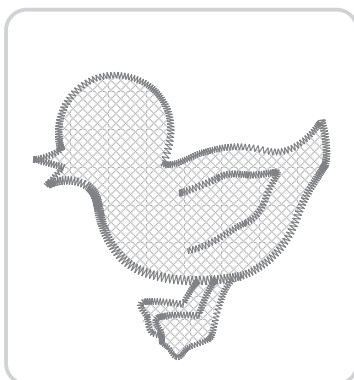
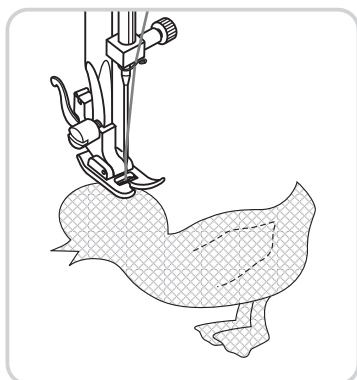
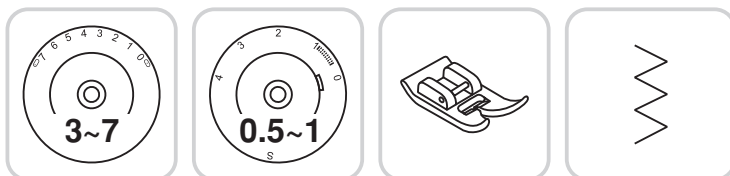




## Darning

- Turn stitch length dial to the desired length.
- Turn stitch selector to straight stitch, center needle position.
- Position the fabric to be darned under the presser foot together with the under laying fabric to be used.
- Lower the presser foot and alternately sew forward or reverse using the lever.
- Repeat this motion until the area to be darned is filled with rows of stitching.

For reverse sewing instructions, see page 34.



## Applique

- Turn stitch length dial to the desired length.
- Turn zig-zag width dial to small width.
- Cut out the applique design and baste it to the fabric.
- Sew slowly around the edge of the design.
- Trim excess material outside the stitching. Make sure not to cut any stitches.
- Remove the basting thread.
- Tie top and bottom thread under the applique to avoid unraveling.



**Cerowanie**

- Ustawić pokrętko długości ściegu na żadaną długość.
- Pokrętko wyboru ściegu ustawione na ścieg prosty z centralną pozycją igły.
- Ułożyć pod stopką tkaninę, która ma być cerowana, wraz z wzmacniającą tkaniną podkładową.
- Opuścić stopkę i szyć do przodu i do tyłu.
- Powtarzać te operacje aż cała powierzchnia do cerowania będzie pokryta rzędami ściegów.

Instrukcje dotyczące szycia wstecz podano na str. 35.

**Prošívání**

- Nastavte délku stehu podle požadavků.
- Nastavte volič stehu na pravý šev s jehlou uprostřed.
- Přistehujte kus látky na zesílení pod oblast, kterou chcete prošívat, a vsuňte látku pod přítlačnou patku.
- Spusťte přítlačnou patku a pomocí páčky vratného stehu šijte střídavě dopředu a dozadu.
- Opakujte, dokud neprošíjete celou plochu.

Pokyny týkající se vratného stehu naleznete na straně 35.

**Örgü**

- Dikiş uzunluğunu istenilen düzeyde ayarlayın.
- Dikiş tipi seçme düğmesini düz dikiş konumuna getirin ve iğne konumunu merkezleyin.
- Örülecek kumaşı, alta konularak kullanılacak kumaşla beraber baskı ayağının altına konumlayın.
- Baskı ayağını indirin ve kolu kullanarak dönüşümlü olarak ileri veya geri dikiş yapın.
- Örülecek alan sıra sıra dikişle dolana kadar bu hareketi tekrar edin.

Geri dikiş talimatları için, sayfa 35'ye bakınız.

**Aplikacje**

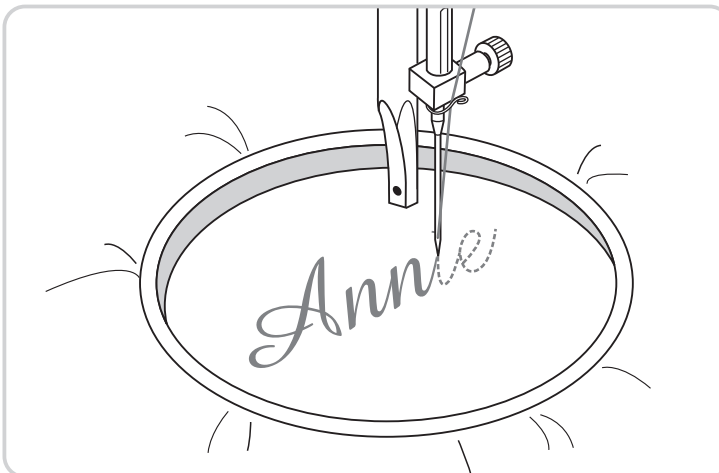
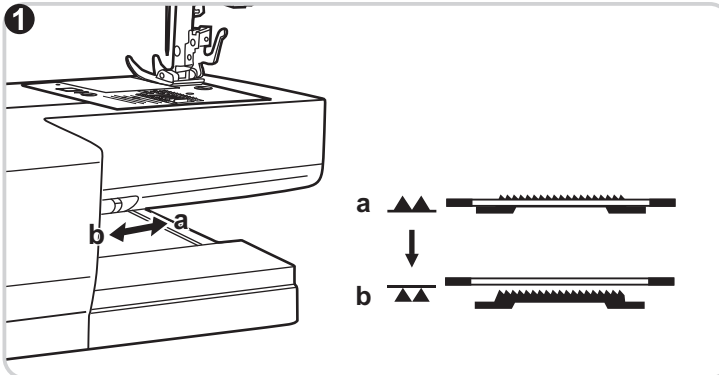
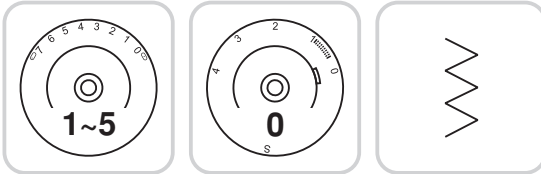
- Ustawić pokrętko długości ściegu na żadaną długość.
- Wybrać ścieg zygzakowy wąski.
- Wyciąć aplikację i przyfastrygować ją do materiału.
- Przeszyć wolno po brzegach aplikacji.
- Wyciąć nadmiar materiału poza ściegiem. Należy uważać, aby nie uszkodzić ściegów.
- Usunąć ścieg fastrygowy.
- Związać górną i dolną nitkę pod aplikacją, aby zapobiec jej wysnuwaniu.

**Aplikace**

- Nastavte délku stehu podle požadavků.
- Nastavte volič stehu na úzký klikatý steh.
- Vystřihněte aplikaci a přistehujte ji na oblečení.
- Šijte pomalu, těsně u vnějšího okraje aplikace.
- Odstřihněte opatrně veškerou přečnívající látku tak, abyste neustříhli žádný z hotových stehů.
- Odpárejte nastehování.
- Svažte spodní a horní nit pod látkou tak, aby nedošlo k roztřepení.

**Aplike dikiş**

- Dikiş uzunluğunu istenilen düzeyde ayarlayın.
- Dikiş tipi seçme düğmesini küçük zigzag genişliği konumuna getirin.
- Hazır bir motifi kumaşınızın üzerine işleyebilirsiniz. Motifi kesin, kumaşın üzerine koyun ve baskı ayağını motifin kenarına getirin.
- Desenin kenarlarını yavaşça dikişin.
- Fazla kısımları kırıpın. Dikişleri kesmemeye dikkat edin.
- Dikiş ipliğini çıkartın.
- Desenin sökülmemesi için üst ve alt iplikleri desenin altında bağlayın.



## Monogramming and embroidery with embroidery hoop\*

Drop the feed dogs. (1)

- Remove the presser foot and the presser foot holder.
- Lower presser foot lever before starting to sew.
- Adjust the stitch width according to the size of lettering or design.

### Preparation for Monogramming and Embroidering\*

- Draw the desired lettering or design on the right side of the fabric.
- Stretch the fabric between embroidery hoop as firmly as possible.
- Place the fabric under the needle. Make sure the presser foot bar is down in its lowest position.
- Turn the balance wheel towards you to bring up the lower thread through the fabric. Sew a few securing stitches at the starting point.
- Hold the hoop with thumb and forefingers of both hands while pressing the material with the middle and third fingers and supporting the outside of hoop with smaller finger.

\* Embroidery hoop not included with machine.

## Monogramy i hafty na tamborku\*

Opuścić ząbki transportera przesuwając dźwignię (1).

-Zdjąć stopkę i uchwyt stopki.

-Opuścić dźwignię podnoszenia stopki przed rozpoczęciem szycia.

-Wyregulować szerokość ściegu stosownie do rozmiaru monogramu lub wzoru.

### Przygotowanie do wykonania monogramu lub haftu\*

- Narysować monogram lub wzór na prawej stronie materiału.

- Mocno napiąć materiał na tamborku.

- Ułożyć materiał pod igłą. Drażek stopki powinien być opuszczony do najniższej pozycji.

- Obrócić kołem ręcznym do siebie, aby wyciągnąć dolną nitkę. Wykonać kilka ściegów mocujących nitkę w początkowym punkcie haftu.

- Przytrzymywać tamborek kciukiem i palcem wskazującym naciskając na materiał kolejnymi dwoma palcami, a małym palcem osłaniając obręcz tamborka.

\* Tamborek nie jest zawarty w wyposażeniu maszyny.

## Monogramy a výšivky prováděné s vyšivacím rámečkem\*

Spusťte podavač. (1)

- Odstraňte přítlačnou patku a držák patky.

- Dříve než začnete šít, spusťte páčku přítlačné patky dolů.

- Nastavte šířku klikatého stehu podle velikosti monogramu nebo motivu výšivky.

### Příprava před zhotovením monogramu nebo výšivky\*

- Nakreslete monogram nebo motiv na líc látky.

- Vložte látku do vyšivací obruče a co nejpevněji ji vypněte.

- Vložte látku pod jehlu. Zkontrolujte, zda je tyč přítlačné patky v nejnižší poloze. Otočením kola směrem k sobě protáhněte nit z cívky látkou a znovu ji vytáhněte na jejím líci.

- Udělejte několik stehů pro zapoštění.

- Přidržíte obruč palcem a ukazovákem obou rukou, přičemž tiskněte látku prostředníky, zatímco prsteníček drží vnější okraj obruče.

\* Vyšivací obruč není obsahem příslušenství dodaného se šicím strojem.

## Monogramlama ve nakış kasnağıyla nakışçılık \*

Dişliyi indirmek için dişli kontrol kolunu sağa getirin. (1)

- Baskı ayağını ve baskı ayağı tutucusunu çıkartın.

- Dikişe başlamadan önce, baskı ayağı manivela kolunu aşağı indirin.

- Harfin veya desenin boyutuna göre dikiş genişliğini ayarlayın.

### Monogramlama ve Nakışçılığa Hazırlık \*

- İstenilen harfi veya deseni kumaşın üzerine çizin.

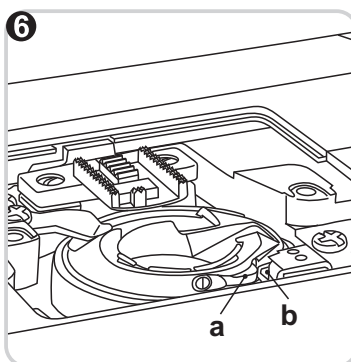
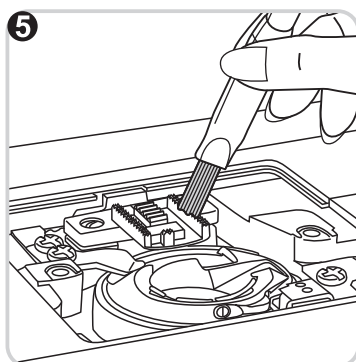
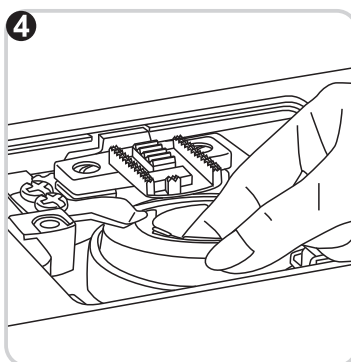
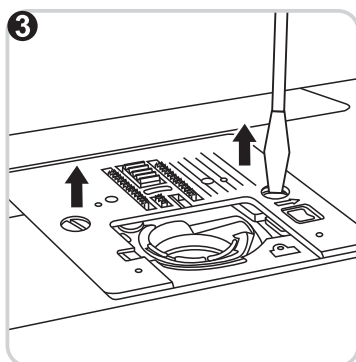
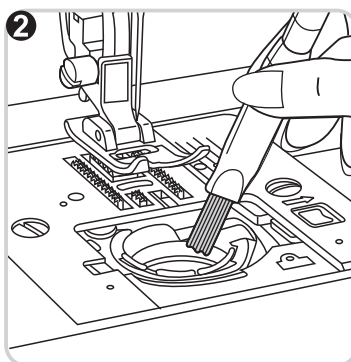
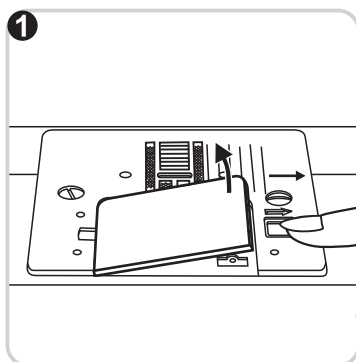
- Kumaşı nakış kasnağının arasına olabildiğince düzgün gerin.

- Kumaşı iğnenin altına yerleştirin. Baskı ayağı çubuğunu en alt pozisyona getirin.

- Alt ipliğin kumaşın içinden geçmesi için, volanı kendinize doğru çevirin.

- Başlangıç noktasında birkaç güvenlik dikişi dikin.

\* Nakış kasnağı makineyle birlikte verilmez.



## Maintenance

**Disconnect the machine from the mains before carrying out any maintenance or changing the sewing light bulb.**

### Cleaning

If lint and bits of thread accumulate in the hook, this will interfere with the smooth operation of the machine.

Check regularly and clean the stitching mechanism when necessary.

### Bobbin holder

1. Remove the bobbin cover plate and bobbin.
2. Clean the bobbin holder with a brush.

### Hook race and feed dog

3. Remove the needle, presser foot and holder.

Remove the bobbin cover plate and bobbin.

Remove the screw holding the needle plate and remove the needle plate.

4. Lift up bobbin holder and remove it.
5. Clean the hook race, feed dog and bobbin holder with a brush. Also clean them, using a soft, dry cloth.
6. Replace the bobbin holder into the hook race so that the tip (a) fits to the stopper (b) as shown.

## Replacing the LED Lamp

This appliance is equipped with a durable LED illumination, which is expected to last for the whole lifetime of the equipment. Please contact a local service agent, should the lamp nevertheless require to be replaced.

## Konserwacja maszyny

Maszynę należy wyłączyć z gniazda zasilającego oraz przełącznikiem głównym do pozycji "O" przed montowaniem lub wyjmowaniem jej części lub przed czyszczeniem.

### Czyszczenie

Nagromadzony w maszynie się kurz i włókna nici zakłócają płynność pracy urządzenia. Należy często sprawdzać stan maszyny i w razie potrzeby czyścić mechanizm szycia.

### Bęberek

1. Zdjąć płytkę osłaniającą dolną szpulkę i wyjąć szpulkę.
2. Wyczyścić bęberek szczoteczką.

### Chwytnacz i ząbki transportera

3. Zdjąć stopkę, uchwyt stopki i igłę.  
Zdjąć osłonę dolnej szpulki i wyjąć szpulkę.  
Odkręcić śrubę mocującą płytkę igłową i zdjąć płytkę igłową.
4. Podnieść i wyjąć bęberek z maszyny.
5. Wyczyścić chwytnacz, ząbki transportera i bęberek szczoteczką. Dodatkowo przetrzeć je miękką, suchą ściereczką.
6. Założyć bęberek do chwytnacza tak, aby wypustka (a) wpasowała się w blokadę (b) jak na rysunku.

## Wymiana oświetlenia LED

Urządzenie to jest wyposażone w podwójne oświetlenie typu LED, które zapewni użytkownikowi długą żywotność. W razie konieczności wymiany oświetlenia należy się skontaktować z lokalnym dealerem firmy lub skontaktować z autoryzowanym serwisem.

## Údržba šicího stroje

**Disconnect the machine from the mains before carrying out any maintenance or changing the sewing light bulb.**

### Cleaning

Prach a zbytky nití by měly být odstraňovány pravidelně. V pravidelných intervalech by měla být i vykonávána celková prohlídka stroje kvalifikovaným technikem.

### Bobbin holder

1. Remove the bobbin cover plate and bobbin.
2. Clean the bobbin holder with a brush.

### Hook race and feed dog

3. Remove the needle, presser foot and holder.  
Remove the bobbin cover plate and bobbin.  
Remove the screw holding the needle plate and remove the needle plate.
4. Lift up bobbin holder and remove it.
5. Clean the hook race, feed dog and bobbin holder with a brush. Also clean them, using a soft, dry cloth.
6. Replace the bobbin holder into the hook race so that the tip (a) fits to the stopper (b) as shown.

## Výměna LED žárovky

Tento stroj je vybavený odolným LED osvětlením a očekává se, že vydrží celou dobu provozu stroje. Prosím, kontaktujte servisního technika, kdyby bylo potřeba Žárovku vyměnit.

## Maintenance

**Fişi prizden çekerek makineyi elektrik beslemesinden ayırın ! Makineyi temizlemeden ve dikiş ışığı ampülünü değiştirmeden önce, her zaman fişi prizden çekin.**

### Temizleme

Eğer çağanozun içinde iplik ve kumaş parçaları toplanırsa, bu makinenin düzgün işleyişine zarar verir. Düzenli olarak kontrol edin ve gerektiğinde dikiş mekanizmasını temizleyin.

### Masura tutucusu

1. Masura kapağı ve masurayı yerinden çıkarın.
2. Masura tutucusunu bir fırçayla temizleyin.

### Çağanoz oluğu ve besleme dişlisi

3. İğneyi, baskı ayağını ve tutucusunu çıkartın. Masura kapağını ve masurayı yerinden çıkartın. Dişli plakasının vidalarını sökün ve dişli plakasını yerinden çıkartın.
4. Masura tutucusunu kaldırın ve yerinden çıkartın.
5. Çağanoz oluğu, besleme dişlisi ve masura tutucusunu bir fırça ile temizleyin. Ayrıca yumuşak ve kuru bir bezle silin.
6. Masura tutucusunu çağanoz oluğuna yerleştirin. Resimde gösterildiği gibi, burun (a) durdurucuya (b) denk gelsin.

## LED lambası Değiştirilmesi

Bu cihaz dayanıklı bir LED ışıklandırma ile teçhiz edilmiştir. Bu ışıklandırmanın cihazın bütün ömrü boyunca çalışması beklenmektedir. Lambanın değiştirilmesi gerekiyorsa, lütfen yerel servis acentesi ile irtibata geçiniz.

## Trouble shooting guide

<b>Problem</b>	<b>Cause</b>	<b>Correction</b>
Upper thread breaks	<ol style="list-style-type: none"> <li>1. The machine is not threaded correctly</li> <li>2. The thread tension is too tight</li> <li>3. The thread is too thick for the needle</li> <li>4. The needle is not inserted correctly</li> <li>5. The thread is round wound the spool pin</li> <li>6. The needle is damaged</li> </ol>	<ol style="list-style-type: none"> <li>1. Rethread the machine</li> <li>2. Reduce the thread tension (lower number)</li> <li>3. Select a larger needle</li> <li>4. Remove and reinsert the needle (flat side towards the back)</li> <li>5. Remove the reel and wind thread onto reel</li> <li>6. Replace the needle</li> </ol>
Skipped stitches	<ol style="list-style-type: none"> <li>1. The needle is not inserted correctly</li> <li>2. The needle is damaged</li> <li>3. The wrong size needle has been used</li> <li>4. The foot is not attached correctly</li> </ol>	<ol style="list-style-type: none"> <li>1. Remove and reinsert needle (flat side towards the back)</li> <li>2. Insert a new needle</li> <li>3. Choose a needle to suit the thread and fabric</li> <li>4. Check and attach correctly</li> </ol>
Needle breaks	<ol style="list-style-type: none"> <li>1. The needle is damaged</li> <li>2. The needle is not correctly inserted</li> <li>3. Wrong needle size for the fabric</li> <li>4. The wrong foot is attached</li> </ol>	<ol style="list-style-type: none"> <li>1. Insert a new needle</li> <li>2. Insert the needle correctly (flat side towards the back)</li> <li>3. Choose a needle to suit the thread and fabric</li> <li>4. Select the correct foot</li> </ol>
Loose stitches	<ol style="list-style-type: none"> <li>1. The machine is not correctly threaded</li> <li>2. The bobbin case is not correctly threaded</li> <li>3. Needle/ fabric/ thread combination is wrong</li> <li>4. Thread tension wrong</li> </ol>	<ol style="list-style-type: none"> <li>1. Check the threading</li> <li>2. Thread the bobbin case as illustrated</li> <li>3. The needle size must suit the fabric and thread</li> <li>4. Correct the thread tension</li> </ol>
Seams gather or pucker	<ol style="list-style-type: none"> <li>1. The needle is too thick for the fabric</li> <li>2. The stitch length is wrongly adjusted</li> <li>3. The thread tension is too tight</li> <li>4. Fabric puckers</li> </ol>	<ol style="list-style-type: none"> <li>1. Select a finer needle</li> <li>2. Readjust the stitch length</li> <li>3. Loosen the thread tension</li> <li>4. Use a backing for fine or stretchy fabrics.</li> </ol>
Uneven stitches, uneven feed	<ol style="list-style-type: none"> <li>1. Poor quality thread</li> <li>2. The bobbin case is wrongly threaded</li> <li>3. Fabric has been pulled</li> </ol>	<ol style="list-style-type: none"> <li>1. Select a better quality thread</li> <li>2. Remove bobbin case and retread and insert correctly</li> <li>3. Do not pull on the fabric while sewing, let it be taken up by the machine</li> </ol>
The machine is noisy	<ol style="list-style-type: none"> <li>1. Fluff or oil have collected on the hook or needle bar</li> <li>2. The needle is damaged</li> </ol>	<ol style="list-style-type: none"> <li>1. Clean the hook and feed dog as described</li> <li>2. Replace the needle</li> </ol>
The machine jams	Thread is caught in the hook	Remove the upper thread and bobbin case, turn the handwheel backwards and forwards by hand and remove the thread remnants.

## Usuwanie usterek

Usterka	Przyczyna	Korekta
Zrywanie górnej nitki	<ol style="list-style-type: none"> <li>1. Nieprawidłowo założona nitka.</li> <li>2. Zbyt silne naprężenie</li> <li>3. Zbyt gruba nitka do igły</li> <li>4. Nieprawidłowo założona igła</li> <li>5. Nitka zablokowana na trzpieniu</li> <li>6. Uszkodzona igła</li> </ol>	<ol style="list-style-type: none"> <li>1. Ponownie założyć nitkę.</li> <li>2. Obniżyć naprężenie.</li> <li>3. Założyć grubszą igłę.</li> <li>4. Ponownie założyć igłę (płaską stroną do tyłu).</li> <li>5. Odblokować nić na trzpieniu.</li> <li>6. Wymienić igłę.</li> </ol>
Przepuszczone ścięgi	<ol style="list-style-type: none"> <li>1. Nieprawidłowo założona igła</li> <li>2. Uszkodzona igła</li> <li>3. Nieprawidłowa grubość igły</li> <li>4. Nieprawidłowo założona stopka</li> </ol>	<ol style="list-style-type: none"> <li>1. Ponownie założyć igłę.</li> <li>2. Założyć nową igłę.</li> <li>3. Dobrać igłę do nitki i materiału.</li> <li>4. Sprawdzić mocowanie stopki.</li> </ol>
Łamanie igły	<ol style="list-style-type: none"> <li>1. Uszkodzona igła.</li> <li>2. Nieprawidłowo założona igła</li> <li>3. Nieprawidłowa grubość igły</li> <li>4. Nieprawidłowo założona stopka</li> </ol>	<ol style="list-style-type: none"> <li>1. Założyć nową igłę.</li> <li>2. Ponownie założyć igłę</li> <li>3. Dobrać igłę do nitki i materiału.</li> <li>4. Sprawdzić mocowanie stopki.</li> </ol>
Luźny ściąg	<ol style="list-style-type: none"> <li>1. Nieprawidłowo założona nitka</li> <li>2. Nieprawidłowo założony bębenek</li> <li>3. Błędna kombinacja igły/ materiału/ nitki</li> <li>4. Nieprawidłowe naprężenie</li> </ol>	<ol style="list-style-type: none"> <li>1. Sprawdzić założenie nitki</li> <li>2. Założyć dolną nitkę jak pokazano w instrukcji.</li> <li>3. Grubość igły musi odpowiadać grubości materiału i nitki</li> <li>4. Wyregulować naprężenie.</li> </ol>
Ściągnięte szwy	<ol style="list-style-type: none"> <li>1. Zbyt gruba igła</li> <li>2. Źle dobrana długość ścięgu</li> <li>3. Zbyt silne naprężenie nitki</li> <li>4. Fabric puckers</li> </ol>	<ol style="list-style-type: none"> <li>1. Wybrać cieńszą igłę.</li> <li>2. Wyregulować długość ścięgu</li> <li>3. Obniżyć naprężenie nitki</li> <li>4. Przy materiałach cienkich lub elastycznych należy stosować podkład.</li> </ol>
Nierówny ściąg, nierównomierne podawanie materiału	<ol style="list-style-type: none"> <li>1. Niska jakość nici</li> <li>2. Źle założona nić w bębenu</li> <li>3. Materiał był ciągnięty podczas szycia</li> </ol>	<ol style="list-style-type: none"> <li>1. Wybrać nić wyższej jakości.</li> <li>2. Wyjąć bębenek i prawidłowo założyć dolną nitkę</li> <li>3. Nie ciągnąć materiału podczas szycia, pozwolić na samodzielne podawanie maszyny</li> </ol>
Zbyt głośna praca	<ol style="list-style-type: none"> <li>1. Maszyna wymaga smarowania.</li> <li>2. Oliwa i zanieczyszczenia nagromadzone na chwytaczu lub igielnicy</li> <li>3. Niska jakość stosowanej oliwy</li> <li>4. Uszkodzona igła</li> </ol>	<ol style="list-style-type: none"> <li>1. Nasmarować maszynę</li> <li>2. Wyczyścić chwytacz i ząbki transportera</li> <li>3. Używać oliwy wysokiej jakości</li> <li>4. Wymienić igłę</li> </ol>
Blokada maszyny	Niść zaplątana w chwytaczu	Zdjąć górną nitkę, wyjąć bębenek. Obrócić kołem ręcznym do przodu i do tyłu i usunąć nitki. Nasmarować maszynę.



## Odstraňování drobných problémů

Závada	Příčiny	Řešení
Horní nit se trhá	<ol style="list-style-type: none"> <li>1. Nit nebyl správně navlečena.</li> <li>2. Nit je příliš napnutá.</li> <li>3. Nit je pro danou jehlu příliš silná.</li> <li>4. Jehla nebyla řádně nasazena.</li> <li>5. Nit je omotána okolo osy držáku cívky.</li> <li>6. Jehla je poškozena.</li> </ol>	<ol style="list-style-type: none"> <li>1. Navlečte nit znovu do stroje a do jehly.</li> <li>2. Snižte napnutí horní nitě (na menší číslo).</li> <li>3. Použijte větší jehlu.</li> <li>4. Vyměňte jehlu a znovu ji nainstalujte (plochou stranu dřívku směrem dozadu).</li> <li>5. Vyměňte cívku a naviňte na ni nit.</li> <li>6. Vyměňte jehlu.</li> </ol>
Vynechané stehy	<ol style="list-style-type: none"> <li>1. Jehla nebyla řádně nasazena.</li> <li>2. Jehla je zkroucená nebo tupá.</li> <li>3. Použitá jehla je nesprávné třídy nebo velikosti.</li> <li>4. Je nasazená nesprávná přítlačná patka.</li> </ol>	<ol style="list-style-type: none"> <li>1. Vyměňte jehlu a znovu ji nasadte (tak, aby směřovala dřívkem dozadu).</li> <li>2. Vyměňte jehlu.</li> <li>3. Zvolte jehlu, která velikostí vyhovuje niti a látce.</li> <li>4. Zkontrolujte, zda použitá patka odpovídá danému účelu.</li> </ol>
Jehla se láme	<ol style="list-style-type: none"> <li>1. Jehla je ohnutá nebo tupá.</li> <li>2. Pouzdro cívky nebylo správně provlečeno.</li> <li>3. Látka je příliš tlustá/nevhodná velikost jehly.</li> <li>4. Je nasazena špatná přítlačná patka.</li> </ol>	<ol style="list-style-type: none"> <li>1. Vyměňte jehlu.</li> <li>2. Vyměňte jehlu a znovu ji nasadte (tak, aby směřovala dřívkem dozadu).</li> <li>3. Zvolte jehlu, která velikostí vyhovuje niti a látce.</li> <li>4. Vyměňte patku.</li> </ol>
Volné stehy	<ol style="list-style-type: none"> <li>1. Stroj není správně navlečen.</li> <li>2. Špatně navlečené pouzdro cívky.</li> <li>3. Špatná kombinace jehla / látka / nit.</li> <li>4. Špatné napětí niti.</li> </ol>	<ol style="list-style-type: none"> <li>1. Zkontrolujte navlečení.</li> <li>2. Navlečte pouzdro spodní niti dle obrázku.</li> <li>3. Vyberte jehlu odpovídající niti a látce.</li> <li>4. Opravte napětí niti.</li> </ol>
Stehy se shrnují nebo zamotávají	<ol style="list-style-type: none"> <li>1. Příliš silná jehla vzhledem k látce.</li> <li>2. Nesprávně nastavená délka stehu.</li> <li>3. Příliš vysoké napětí niti.</li> <li>4. <b>Fabric puckers</b></li> </ol>	<ol style="list-style-type: none"> <li>1. Vyberte tenčí jehlu.</li> <li>2. Upravte délku stehu.</li> <li>3. Povolte napětí niti.</li> <li>4. U jemných nebo strečových látek používejte podložku.</li> </ol>
Nestejný stehy, nerovnoměrný posuv	<ol style="list-style-type: none"> <li>1. Nekvalitní nit.</li> <li>2. Špatně navlečené pouzdro cívky.</li> <li>3. Tahali jste za látku.</li> </ol>	<ol style="list-style-type: none"> <li>1. Použijte kvalitnější nit.</li> <li>2. Vyměňte pouzdro cívky, správně je navlečte a nasadte.</li> <li>3. Netahejte při šití za látku, nechte ji posouvat podavačem.</li> </ol>
Stroj je hlučný	<ol style="list-style-type: none"> <li>1. Na chapači nebo na jehlové tyči se nahromadily chlupy nebo olej.</li> <li>2. Poškozená jehla.</li> </ol>	<ol style="list-style-type: none"> <li>1. Vyčistěte chapač a podavač podle popisu.</li> <li>2. Vyměňte jehlu.</li> </ol>
Stroj se zasekává	Nit je zablokována v háčku.	<p>Vyměňte horní nit a pouzdro cívky, silou posunujte kolem střídavě dopředu a dozadu.</p> <p>Odstraňte zbytky nití. Promažte stroj podle pokynů.</p>



## Arıza giderme kılavuzu

Sorun	Sebebi	Yapılması gereken işlem
Üst iplik kopuyor	<ol style="list-style-type: none"><li>1. Makinenin ipliği düzgün takılmamış.</li><li>2. İplik çok fazla gergin.</li><li>3. İplik, iğne için çok kalın.</li><li>4. İğne düzgün takılmamış.</li><li>5. İplik, masura tutucusu pimi etrafına dolanmış.</li><li>6. İğne hasarlı.</li></ol>	<ol style="list-style-type: none"><li>1. Makinenin ipliğini yeniden takın.</li><li>2. İpliği gevşetin (daha düşük bir numara)</li><li>3. Daha büyük bir iğne seçin.</li><li>4. İğneyi çıkarıp yeniden takın. (Düz taraf, arkaya bakacak şekilde)</li><li>5. Masurayı çıkarın ve iplik masurasına iplik sarın.</li><li>6. İğneyi değiştirin.</li></ol>
Dikişler atlanıyor	<ol style="list-style-type: none"><li>1. İğne düzgün takılmamış.</li><li>2. İğne hasarlı.</li><li>3. Yanlış boyutlu iğne kullanılmış.</li><li>4. Ayak düzgün takılmamış.</li></ol>	<ol style="list-style-type: none"><li>1. İğneyi çıkarıp yeniden takın. (Düz taraf, arkaya bakacak şekilde)</li><li>2. İğneyi değiştirin.</li><li>3. Kumaşa ve ipliğe uygun bir iğne seçin.</li><li>4. Kontrol edin ve düzgün takın.</li></ol>
İğne kırılıyor	<ol style="list-style-type: none"><li>1. İğne hasarlı.</li><li>2. İğne düzgün takılmamış.</li><li>3. İğnenin büyüklüğü kumaş için uygun değil.</li><li>4. Yanlış ayak takılmış.</li></ol>	<ol style="list-style-type: none"><li>1. İğneyi değiştirin.</li><li>2. İğneyi çıkarıp yeniden takın. (Düz taraf, arkaya bakacak şekilde)</li><li>3. Kumaşa ve ipliğe uygun bir iğne seçin.</li><li>4. Doğru ayağı seçin.</li></ol>
Gevşek dikişler	<ol style="list-style-type: none"><li>1. Makinenin ipliği düzgün takılmamış.</li><li>2. Mekiğin ipliği düzgün takılmamış.</li><li>3. İğne/ kumaş/ iplik kombinasyonu yanlış.</li><li>4. İplik gerginliği uygun değil.</li></ol>	<ol style="list-style-type: none"><li>1. İpliğin takılışını kontrol edin.</li><li>2. Şekilde gösterildiği gibi mekiğe iplik sarın.</li><li>3. İğnenin büyüklüğü kumaşa ve ipliğe uygun olmalıdır.</li><li>4. İplik gerginliğini düzeltin.</li></ol>
Dikişler toplanıyor ve büzülüyor	<ol style="list-style-type: none"><li>1. İğne, kumaş için çok kalın.</li><li>2. Dikiş uzunluğu yanlış ayarlanmış.</li><li>3. İplik çok fazla gergin.</li><li>4. <b>Fabric puckers</b></li></ol>	<ol style="list-style-type: none"><li>1. Daha ince bir iğne seçin.</li><li>2. Dikiş uzunluğunu yeniden ayarlayın.</li><li>3. İpliği gevşetin.</li><li>4. İnce ve genleşebilir kumaşlar için destek kat kullanınız.</li></ol>
Dengesiz dikişler, kumaş beslemesi dengesiz	<ol style="list-style-type: none"><li>1. Düşük kaliteli iplik.</li><li>2. Mekiğin ipliği yanlış takılmış.</li><li>3. Kumaş çekilmiş.</li></ol>	<ol style="list-style-type: none"><li>1. Daha kaliteli bir iplik seçin.</li><li>2. Masurayı çıkarın, ipliği yeniden sarın ve düzgün bir şekilde takın.</li><li>3. Dikiş yaparken kumaşı çekmeyin. Kumaşın makine tarafından beslenmesini sağlayın.</li></ol>
Makine gürültülü	<ol style="list-style-type: none"><li>1. Düşük kaliteli yağ kullanılmış.</li><li>2. İğne hasarlı.</li></ol>	<ol style="list-style-type: none"><li>1. Dikiş makinesi yağı kullanın.</li><li>2. İğneyi değiştirin.</li></ol>
Makine sıkıştırıyor	İğne, kancada sıkışmış.	Üst ipliği ve mekiği çıkarın. Volanı elle geri çevirin ve kalan ipliği çıkarın. Belirtildiği gibi yağlayın.

**JUKI®**

**JUKI CORPORATION**

2-11-1, Tsurumaki,  
Tama-shi, Tokyo 206-8551, JAPAN

**PHONE :** (81)42-357-2341

**FAX :** (81)42-357-2379

Copyright © 2013 JUKI CORPORATION.  
All rights reserved throughout the world.  
Reservados todos los derechos en todo el mundo.  
Tous les droits sont réservés à travers le monde.  
Tutti i diritti riservati in ogni paese del mondo.  
40145541

