

SIRUBA

使用說明書與零件圖

ORIGINAL INSTRUCTIONS BOOK & PARTS LIST

■ ASC-UWB100M



CE

重要安全聲明

•感謝客戶您購買本公司產品

為安全且正確地使用本產品 ASC-UWB100M，請詳細閱讀以下注意事項後再實施操作。

1. 在使用本機器前，請先詳讀說明書內容，必須遵守說明書的指示與規定。
2. 此設備的使用，由經過適當訓練的操作人員實行。
3. 在使用本機器時，若發現異常或故障，應立即停止使用，並切除電源，以進行妥善修理。
4. 嚴格禁止對本機器進行改造和變更。本公司對改造或變更過的機器不予保固，若因此造成危害，本公司將不負任何賠償責任。

•危險

為杜絕觸電事故必須遵守以下安全措施。

1. 安裝本機器時，必須確實做好接地動作。
2. 對本機器的電氣做定檢與維修，都必須由具有資格的電氣技術人員執行，或專家的監督指導下進行。

•警告

為了杜絕觸電、火災、燒損或對人的傷害，必須遵守以下安全措施。

1. 本機器在有電壓的狀態下，絕對禁止人員接觸通電之機件。
2. 本機器若需要做零件更換或進行維修時，應將電源切換至 OFF 狀態。

SAFETY INSTRUCTIONS

•Thank you for purchasing our company's products.

For your safety and using our product ASC-UWB100M properly, please read the instructions below deliberately, then start operating the machine.

1. Before using the machine, you must follow the instructions and rules.
2. The operators must be well trained.
3. If you found some abnormal phenomena or the machine malfunction, you should stop using the machine at the moment and cut the power off, in order to do the proper repair.
4. Strictly forbid to do the extra transformation or alteration. We do not have the warranty to the machine which had been transformed or altered. Therefore, our company will be irresponsible for any compensation if the machine has caused any danger.

•Hazards

In order to prevent from the electric shock, you must to obey the safety measure below.

1. While install the machine, make sure you have do the grounding.
2. The electric routine inspection and maintenance of the machine have to be done by the electric technical personnel who qualified or under the expert's supervision.

•Alert

You must to obey the safety measure below, in order to prevent from the electric shock, fire accident, burning loss, or human body injured.

1. Absolute forbid workers to touch the machine's parts while the machine is in a voltage state.
2. If the machine's parts need to be changed or do the maintenance, you should switch the power off.

3. 當本機器不能正確工作時，應立即停止操作機器。該機器有必要進行修理、電氣或機器方面的調整時，需要和本公司的代理商或直接與本公司聯繫商談，採取合適的解決措施。
 4. 本機器的的維修、調整須經由適當訓練的技術員或專業人員進行。維修時，需使用本公司所指定的更換零件。
 5. 一般的保修檢查，要由經過適當訓練的人來進行。
 6. 在維修或保養各式氣缸或氣壓相關連動機構時，務必將供應氣源的接頭拔下，在氣壓完全切斷的狀態方可進行。不過，只限於受過適當訓練的技術人員或專業人員進行調整和運行確認時例外。
 7. 該機器準備啟動前，所有的保護蓋必須安裝定位至機器上。
 8. 本機器的內部裝置和控制箱裡不能殘積金屬粉末和灰塵，要定期打掃。
 9. 本機器在運行當中，所有可動部分都絕對不可用手觸碰，或身體（包括頭髮、衣服類）靠近。
 10. 絕對不可用濕手操作，可能造成觸電等重大傷害發生。
 11. 警告提示如次頁圖案，請務必遵守。
3. While the machine cannot operate properly, you should stop operating it immediately. If the machine has the necessity to repair, or do the electric and machine adjustment, you should contact with our factors, or contact us directly, then take the proper resolution.
 4. The machine's maintenance and adjustment need to be done by well- trained technician or professional. You need to use the specific parts from our company while under maintenance.
 5. The repair within the warranty need to be repair by the worker who well trained.
 6. While doing the repair or maintain variety of cylinders and pneumatic actuator associated, you must unplug the supply air source connector before you do the repair and maintenance. However, it could be only done by the well- trained technician or professional.
 7. Before ready to start the machine, all of the protective covers need to be on the position of the machine.
 8. The inner device and the control box of the machine need to be regularly cleaned, in case of any dust or metal filings remains in the machine.
 9. While operating the machine, do not use your hands to touch or let your body to close (including hair or clothes) all of the movable parts.
 10. Do not use the wet hands to operate the machine, it might cause electric shock or other major injured.
 11. Please be sure to follow the alert pictorial markings by next page.

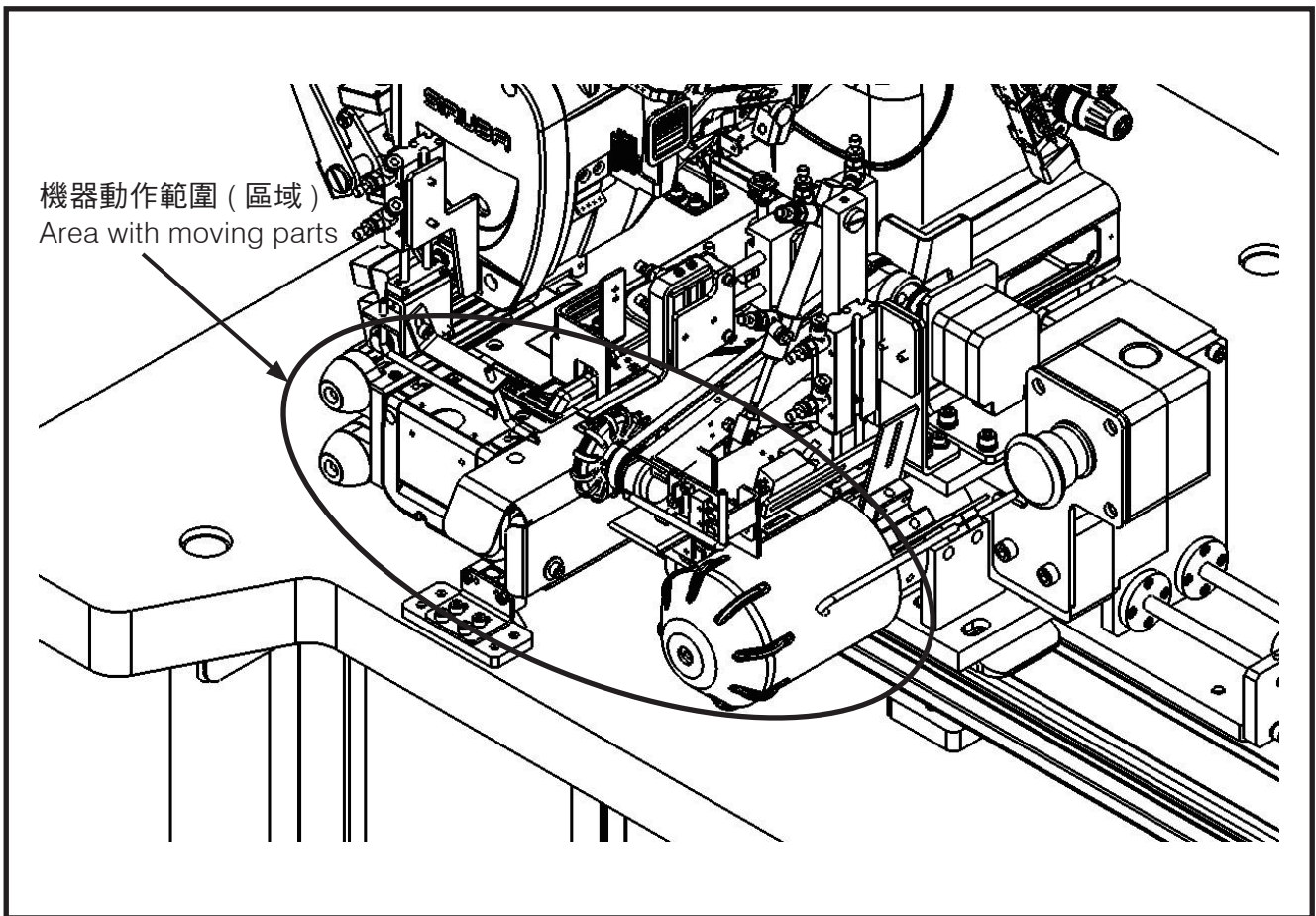
警告圖案表示

INDICATED THE ALERT PICTORIAL MARKINGS

| | | |
|--|---|---|
| <p>高壓部位 HIGH-VOLTAGE POSITION</p> |  <p>高壓電危險 DANGER</p> <p>注意-請關閉電源10分鐘後始可打開此蓋</p> <p>TO OPEN THIS COVER: TURN OFF POWER SUPPLYING AND WAIT MORE THAN 10 MINUTES BEFORE OPENING.</p> | <p>務必關閉電源 10 分鐘後始打開電控箱蓋子 Be sure to turn off the power and wait till 10 minutes before opening the control box's cover.</p> |
| <p>高速運動部位 HIGH SPEED MOTION POSITION</p> |  <p>CAUTION</p> <p>機械作動部份請注意裝上保護裝置 穿線、換線、調整、清潔時請注意關閉電源。</p> <p>Moving parts may cause in jury. Operate with safety devices. Turn off main switch before threading, changing bobbin and needle, cleaning etc.</p> | <p>謹防工傷事故 In case of industrial accident</p> |
| <p>高速運動部位 HIGH SPEED MOTION POSITION</p> |  <p>Be careful of its movement.</p> <p>移動快速 敬請小心</p> | <p>謹防工傷事故 In case of industrial accident</p> |
| <p>高速運動部位 HIGH SPEED MOTION POSITION</p> |  | <p>謹防工傷事故 In case of industrial accident</p> |

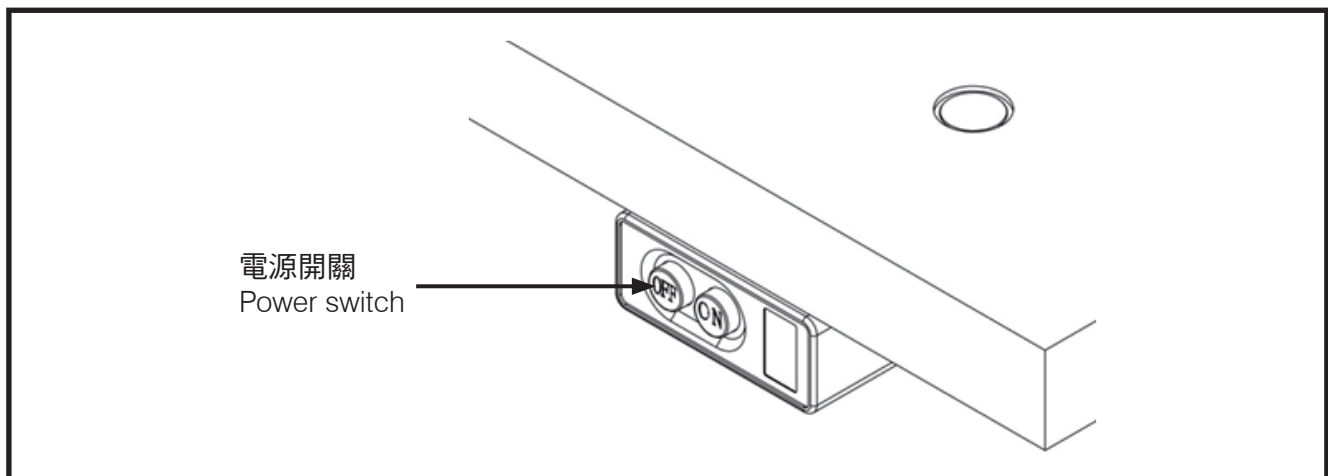
安全注意事項

SAFETY INSTRUCTIONS



1. 機器在運轉時，不可將手指等放入該區域內。
2. 為了保修、檢修卸掉罩蓋時，必須將電源切到 OFF。

1. Do not put your fingers into the area while machine is operating.
2. Must switch off the power before take down the cover for repair and maintenance.

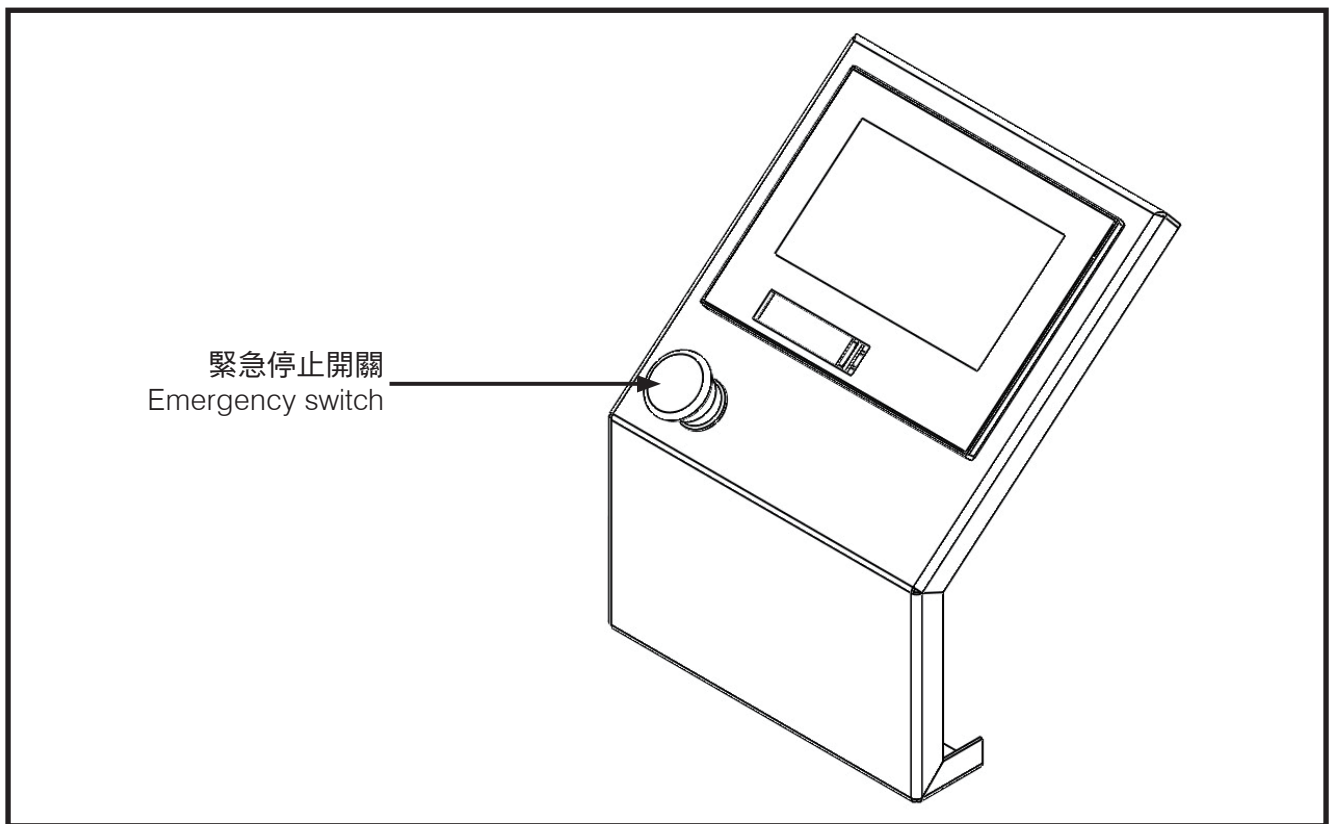


3. 在有危及人體的高壓電處，貼有觸電危險警告標記。在貼有本警告的電器控制部位而需要保修、檢修時，打開罩蓋僅能由專業的電氣技術人員進行。

3. Stick the electric shock alert pictorial marking at high voltage place which may cause human danger. Therefore, only the professional and electric technician could open the cover, while the electric place which have stuck on the alert pictorial marking need to be repair and maintenance.

4. 機器運轉時，有必要馬上停止機器的時候，可以按下緊急停止開關。

4. If there's a necessity to stop the machine right away while machine operating, you could press the emergency switch.



5. 電源線、氣壓管線需確實固定安置，不可散落在地面，以免人員絆倒而發生危險。

5. Power cord and pneumatic line pipe need to make sure being fixed and settle down. Do not put them disordered on the ground in case of people stumble and cause danger.

6. 為了生命安全，在任何情況下，不可將電源地線拔掉運轉機器。

6. No matter under any circumstances, for your life safety, do not pull out the power ground wire while operating the machine.

7. 打雷時，為了安全要停止作業，切斷電源。

7. For your safety, you need to stop your work and cut off the power, if it starts thundering.

8. 離開機器工作地點時或工作結束後一定要將電源開關轉到 OFF。

8. Must switch off the power before you leave your work or work ending.

9. 機器運轉下，不可卸下罩蓋類。

9. Do not take down any cover while operating the machine.

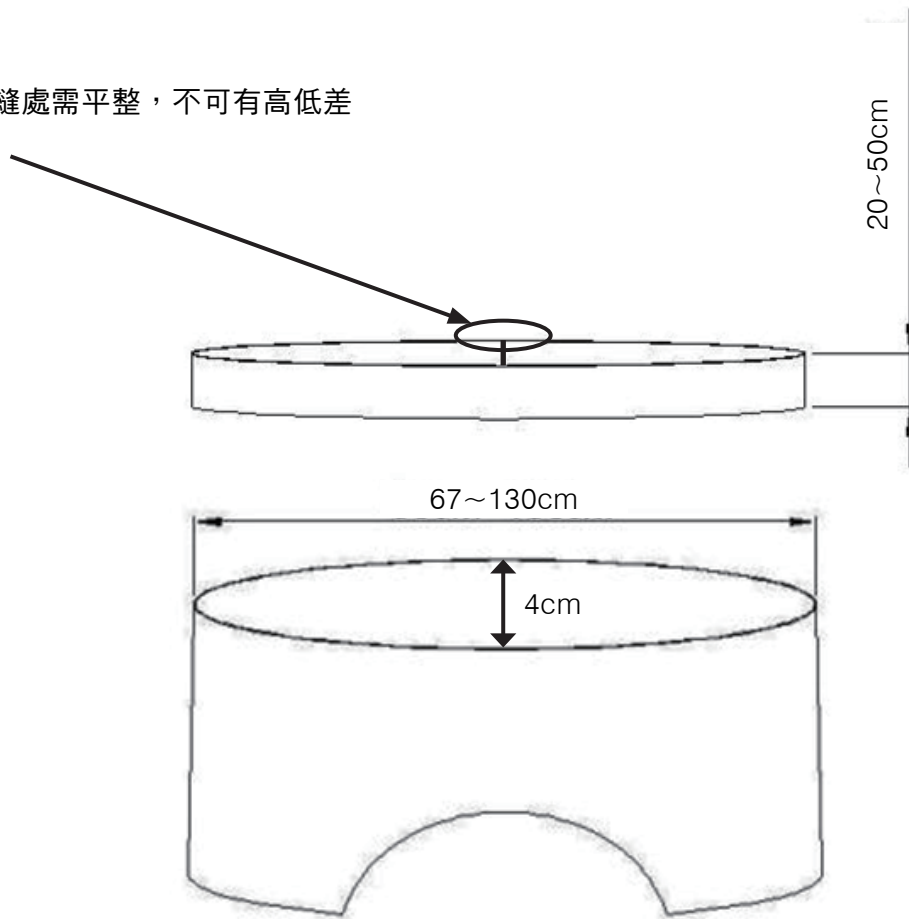
| 索引 | INDEX | 頁 /PAGE |
|---------|----------------------------------|---------|
| 規格 | SPECIFICATION | 1 |
| 安裝 | INSTALLATION | 2 |
| 操作說明 | OPERATIONAL INSTRUCTION | 4 |
| 基本動作 | BASIC OPERATION | 14 |
| 規格變更與設定 | SPECIFICATION CHANGE AND SETTING | 15 |
| 異常排除 | TROUBLE SHOOTING | 21 |
| 人機介面說明 | PANEL INSTRUCTION | 27 |
| 零件圖 | PART LIST | 45 |
| 氣壓流程圖 | AIR PRESSURE DIAGRAM | 62 |
| 路線總圖 | CIRCUIT DIAGRAM | 63 |

規格

SPECIFICATION

| | |
|--------------------------|--------------------------------|
| 型式 Model | ASC-UWB100M |
| 車縫型式 Sewing way | 三針筒車 |
| 車縫速度 Sewing speed | 最高 3000 針 / 分 Max 3000 Rpm/Min |
| 使用針 Typed needle | 風琴牌 UY128 |
| 鬆緊帶寬度 Elastic band width | 20~50cm |
| 褲腰寬度 Waistband width | 67~130cm |

鬆緊帶接縫處需平整，不可有高低差



| | |
|--------------------------|-------------------------|
| 前後裁片高低差 | 4cm |
| 電源電壓 Voltage | 單相 AC220V ± 10% 50/60Hz |
| 氣壓 Air Pressure | 0.5Mpa |
| 氣體消耗量 Air consumption | 400L/ 分 |
| 消費電力 Voltage consumption | 1kw |

安裝

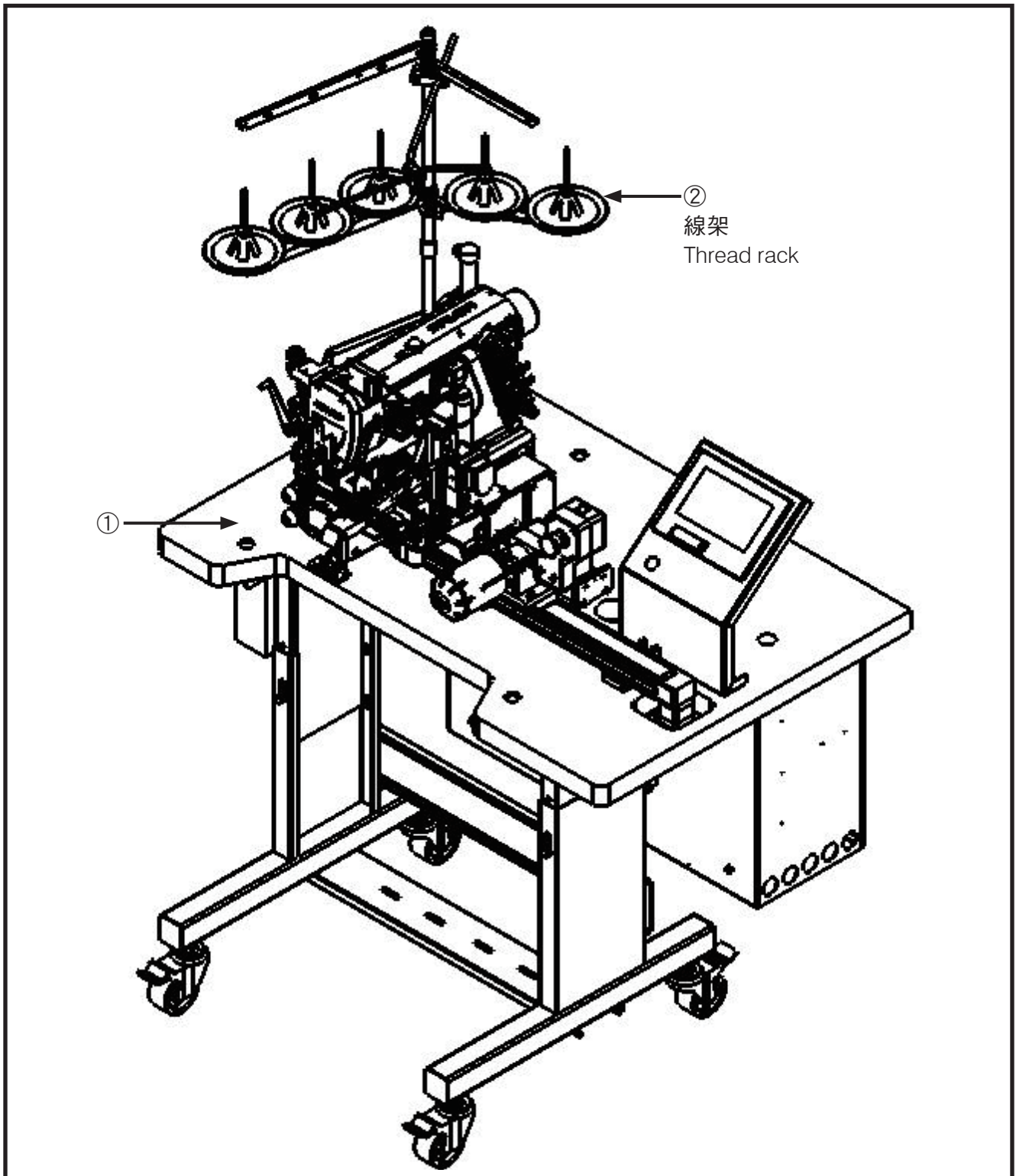
INSTALLATION

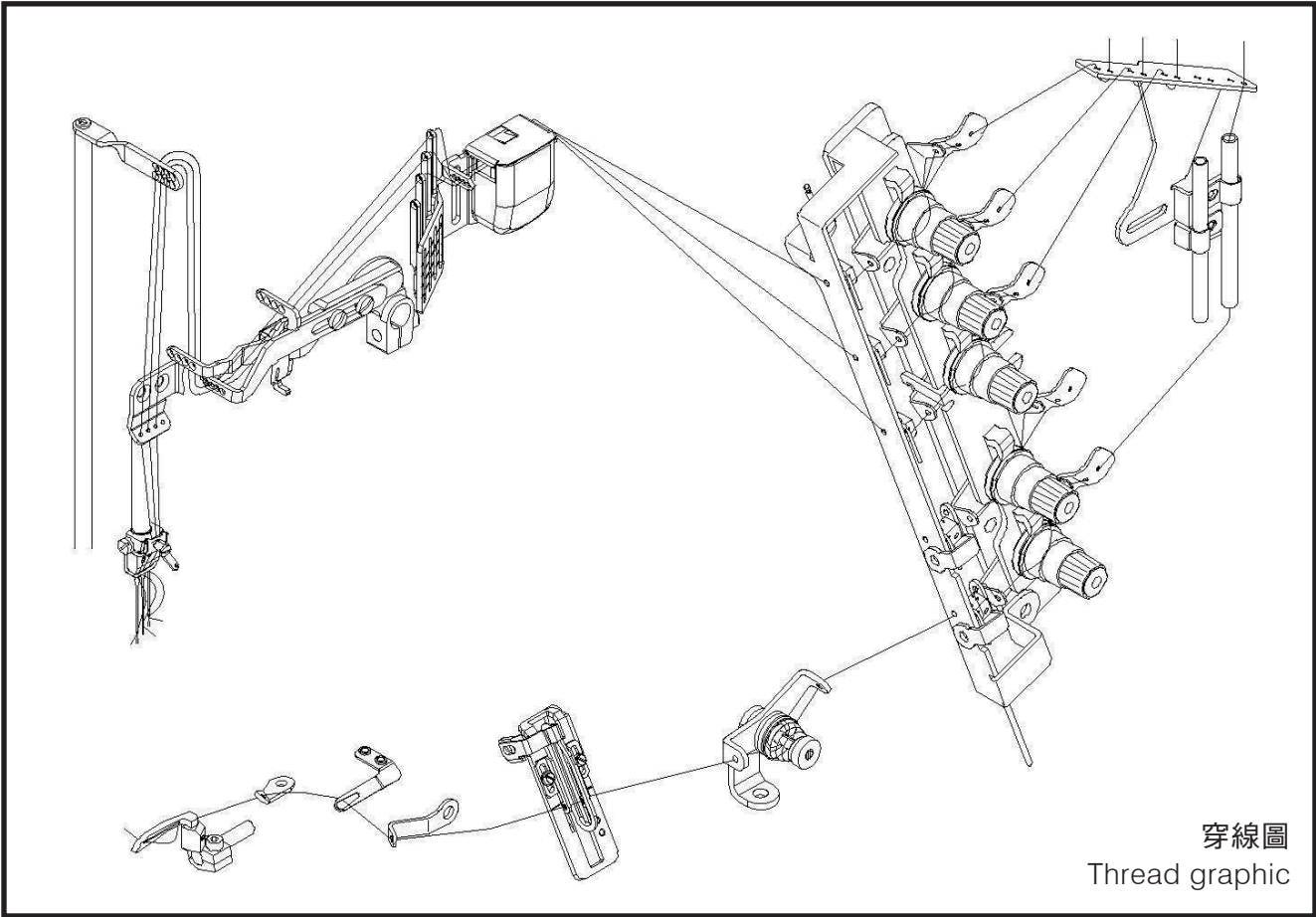
桌板①上，鎖付線架②。

Install thread rack ② on the table ①.

(線架組裝組請參照 C007KD 使用說明書。)

(Ref C007KD user manual.)





操作說明

OPERATIONAL INSTRUCTION

(1) 電源與氣壓

A. 電壓

使用額定電壓 AC 220V±10%。

接地線一定要接地。

B. 氣壓

使用 0.5Mpa (5kg/c m²)。

(2) 開機畫面

A. 開機畫面

點擊任意位置可以進入初始畫面。

(1) Voltage and Air pressure.

A.Voltage

Rated voltage at AC 220V±10% .

Earth cable must be in contact with ground.

B.Air pressure

Use 0.5Mpa (5kg/c m²) .

(2) Boot up screen

A. Boot up screen

Click any position to enter the startup screen.

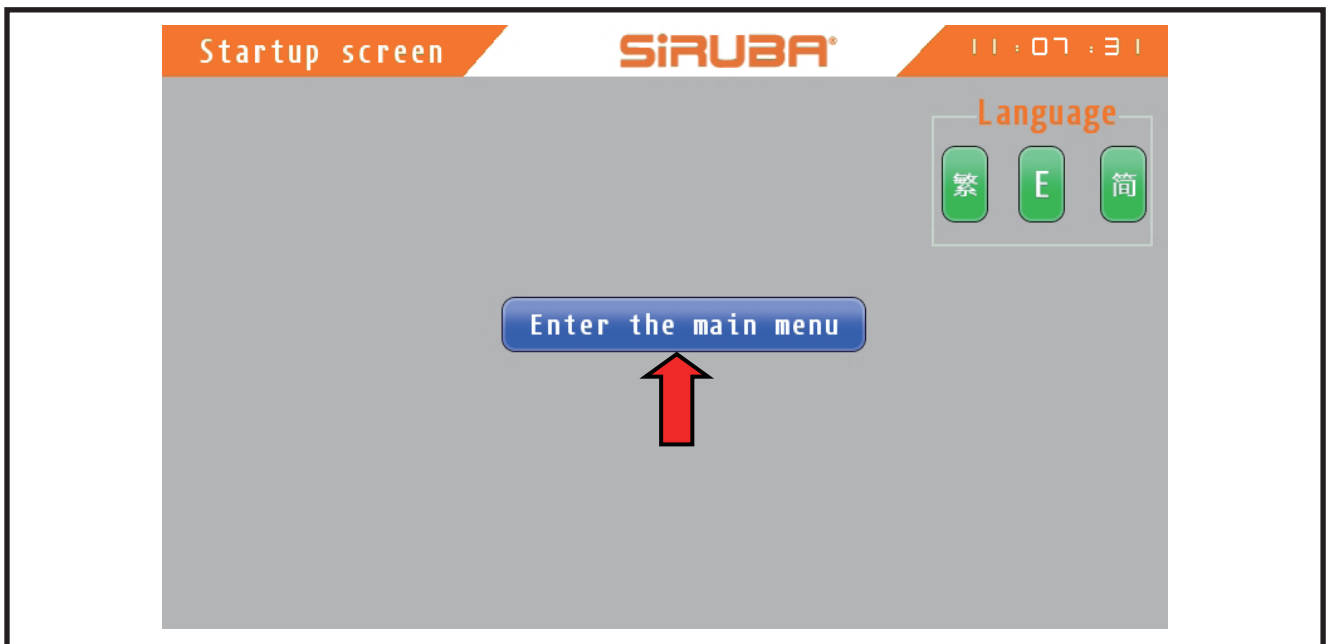
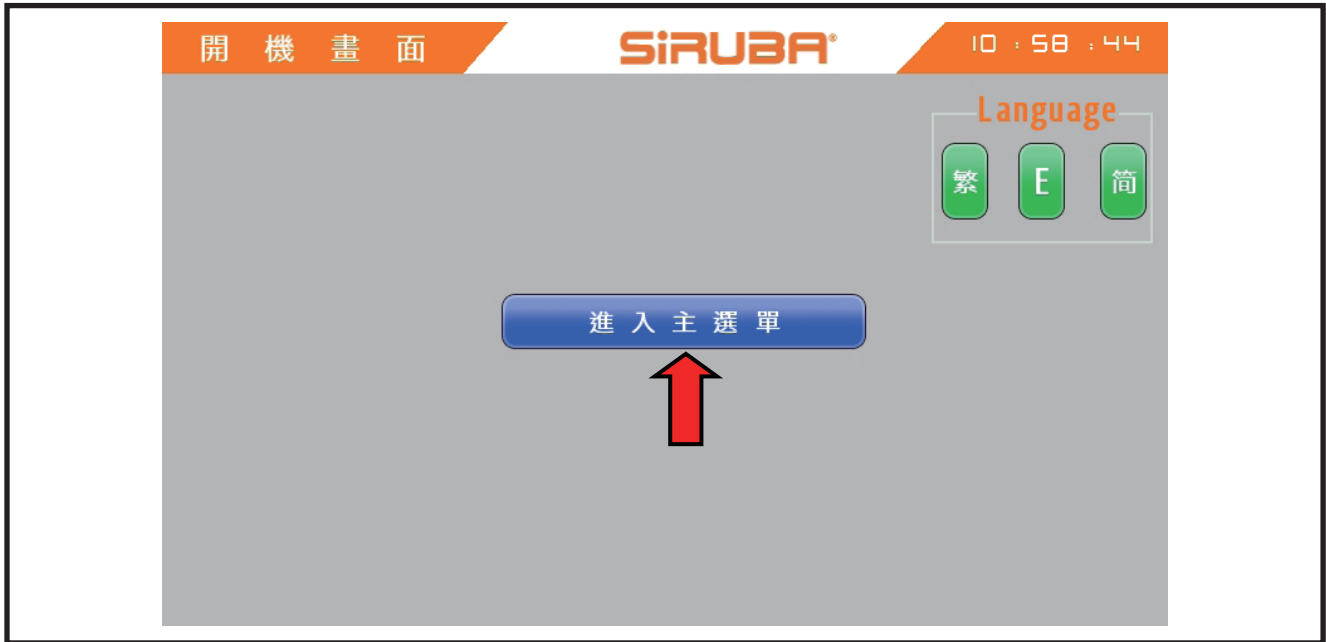
The image shows the Siruba logo in a large, bold, orange font. The logo consists of the word "SIRUBA" in all caps, with a registered trademark symbol (®) to the right of the letter "A". The font is a sans-serif style with thick strokes.This image is identical to the one above, showing the Siruba logo in a large, bold, orange font. The logo consists of the word "SIRUBA" in all caps, with a registered trademark symbol (®) to the right of the letter "A". The font is a sans-serif style with thick strokes.

B. 開機畫面

左上角為語言切換按鈕，點擊進入主選單按鈕，可進入主選單頁面。

B.Startup screen

You can change the language in the upper left corner, and click the "enter the main menu" button.



(3) 自動模式

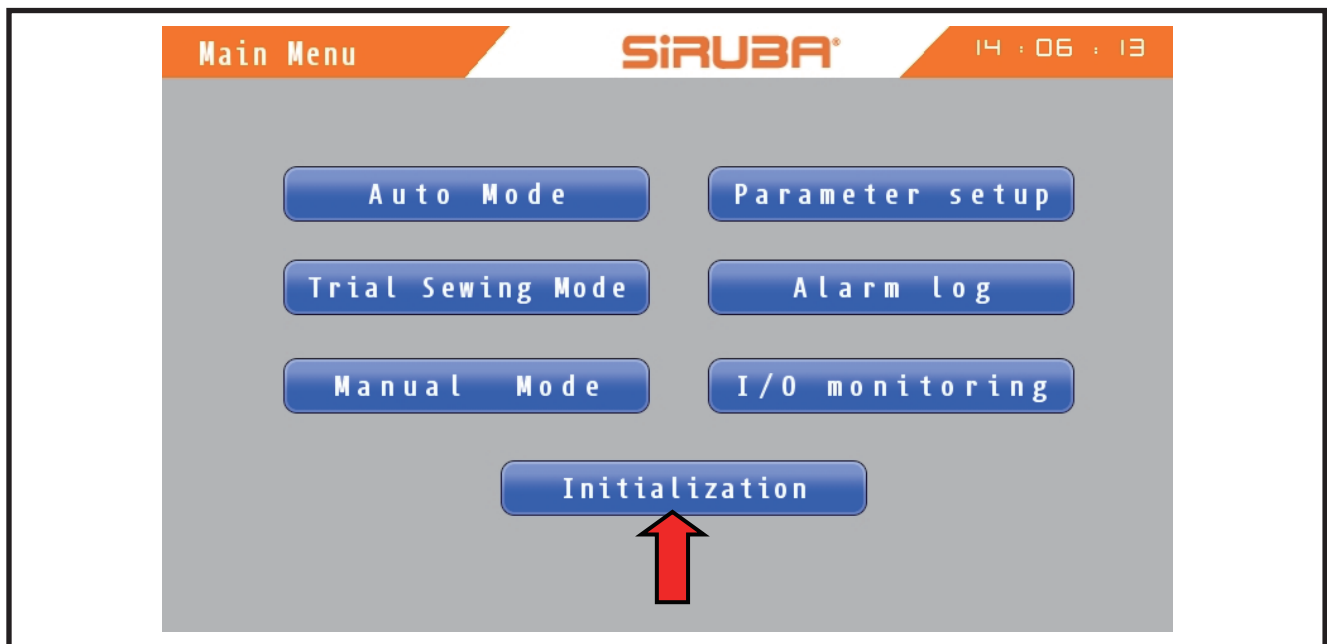
A. 自動模式

點擊「自動模式」，進入此模式需先按壓設備初始化按鈕才可進入自動與試縫模式（其它選項請詳閱人機介面說明）

(3) Auto mode

A. Auto mode

Touch 「Auto」. Please press the initialization button to enter this mode.
(The other mode refer to panel introduction)

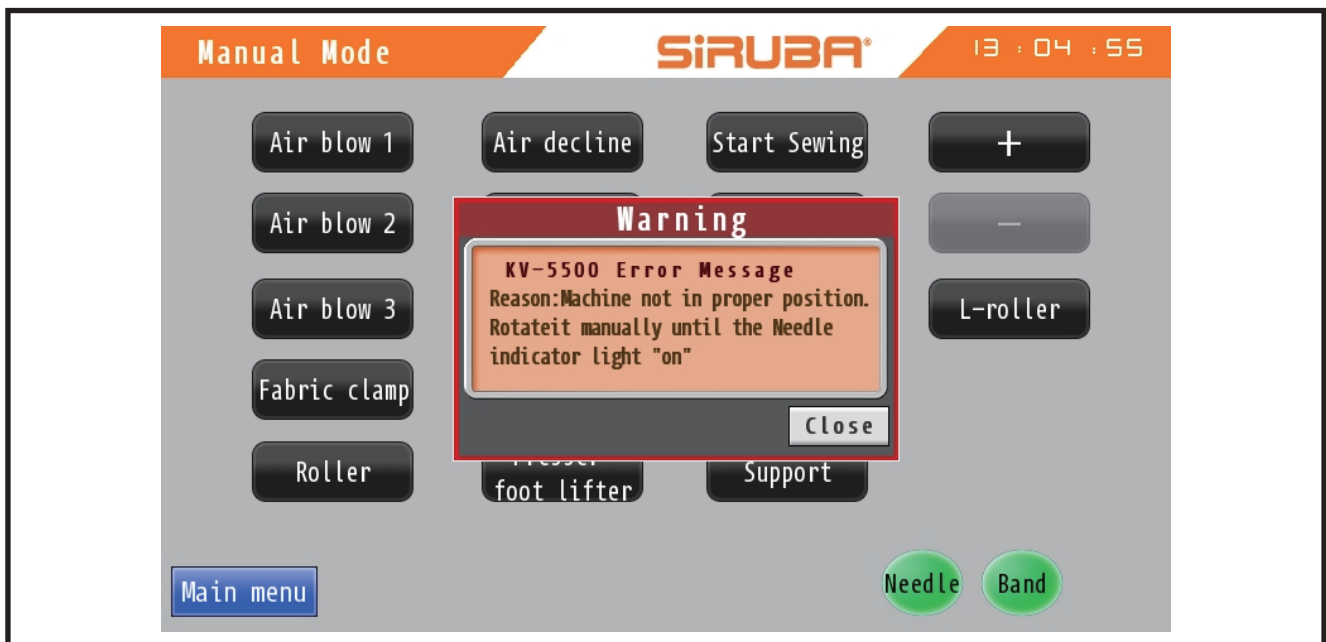
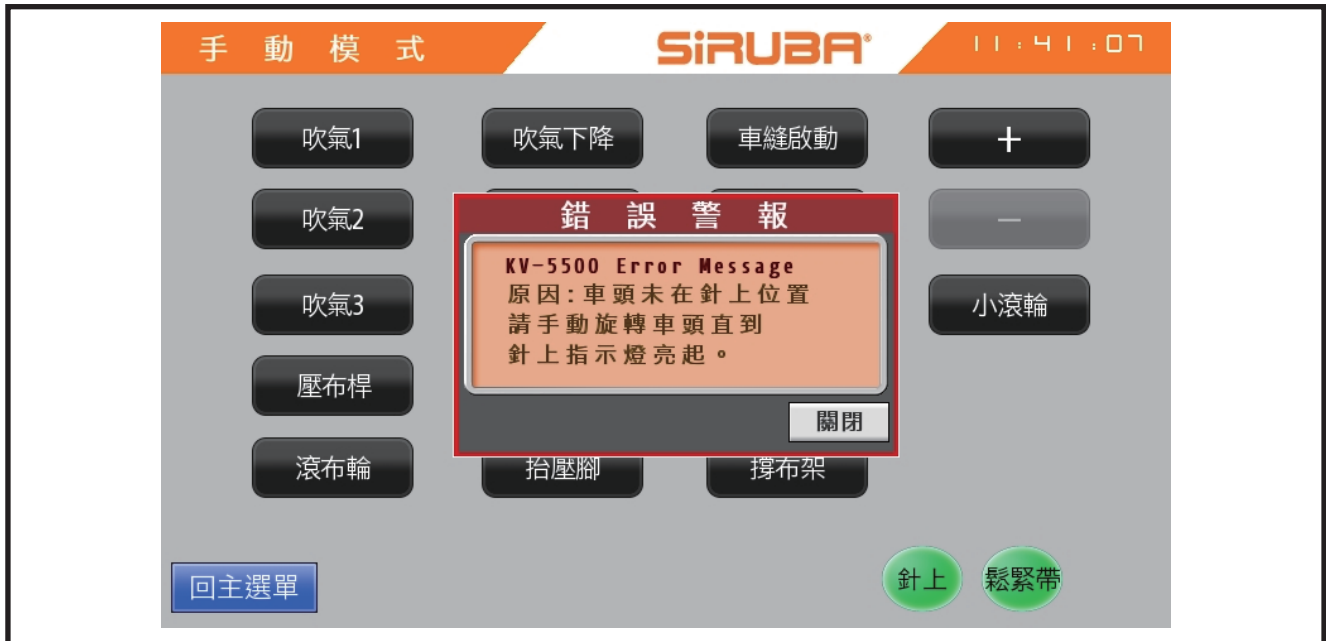


B. 針上位置

若進入畫面提示錯誤警報，請旋轉縫紉機手動輪使針上位置燈號亮起再按下「關閉」以解除警報。

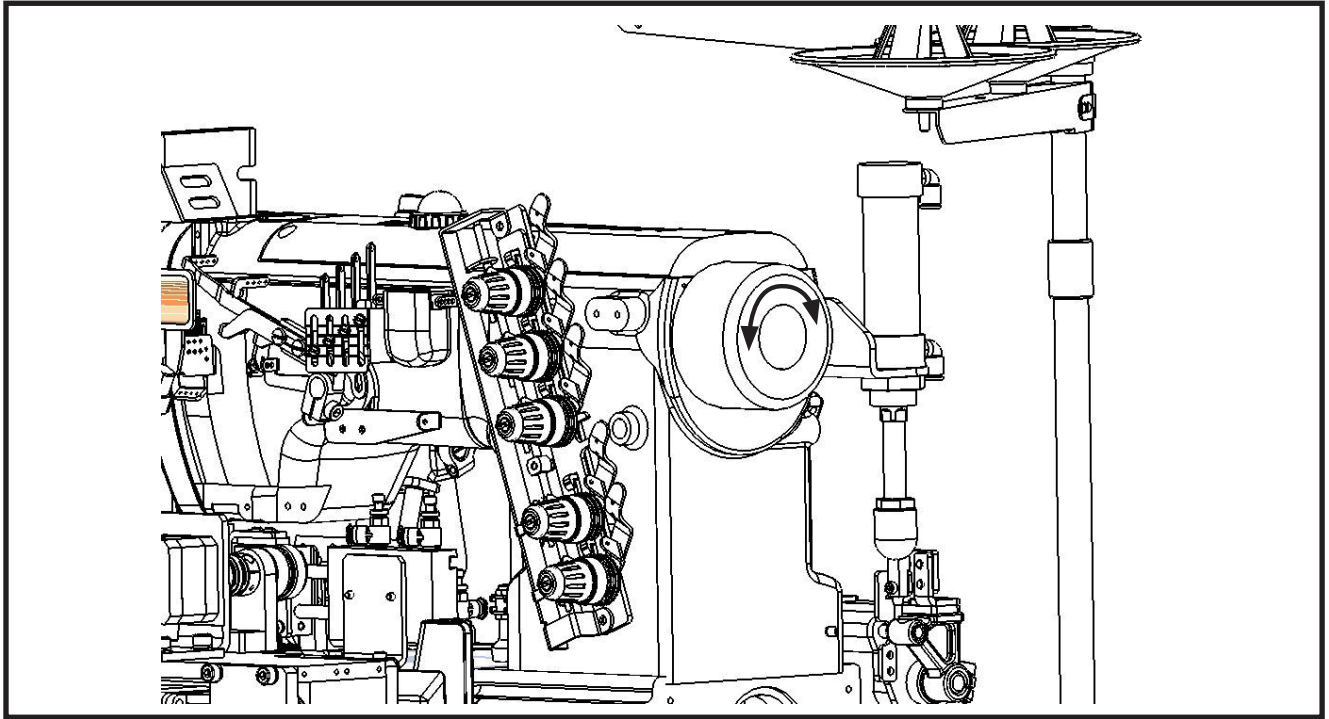
B. Sew needle position

When panel show this error alarm, please turn manual wheel to light up checking sign on the panel then touch 「Close」 to release error.



依照圖上之方向旋轉可使面板上之針上位置檢測燈亮起。

Sew needle position turn upward method.

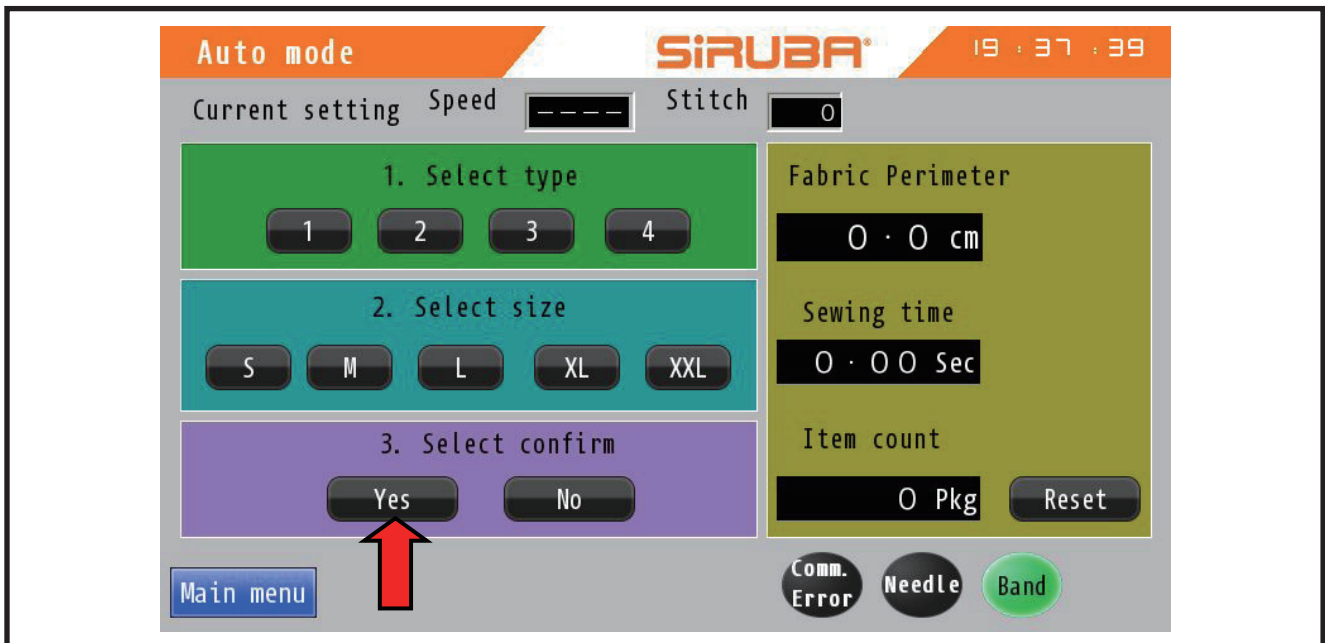
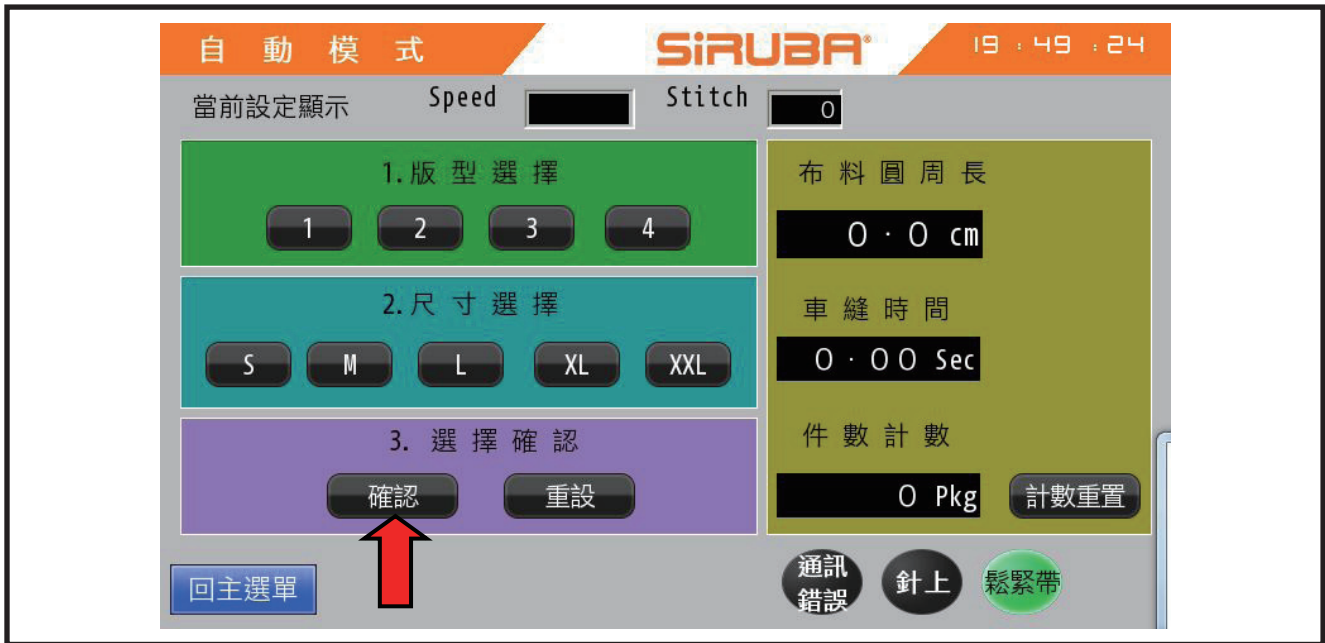


C. 參數讀取

點按「確認」可以讀取對應規格的參數。

C.Parameter loading

Touch 「Yes」 to loading product specification setting parameter.



(4) 鬆緊帶安裝

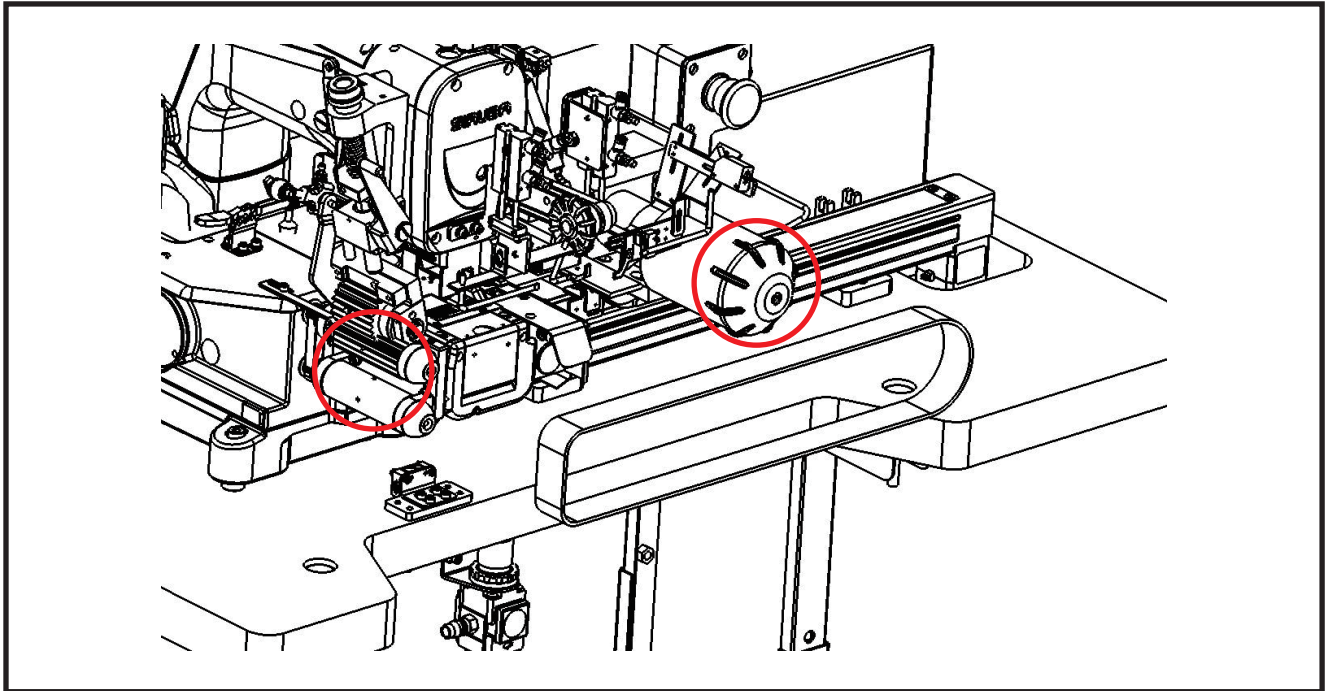
A. 鬆緊帶放置

將鬆緊帶擴開於兩滾輪以外並向前靠於擋邊
①與溝槽②內。

(4) Elastic band installation

A. Fit on

Elastic band stretched two wheel beyond
into the hamper ① and ditch ② .

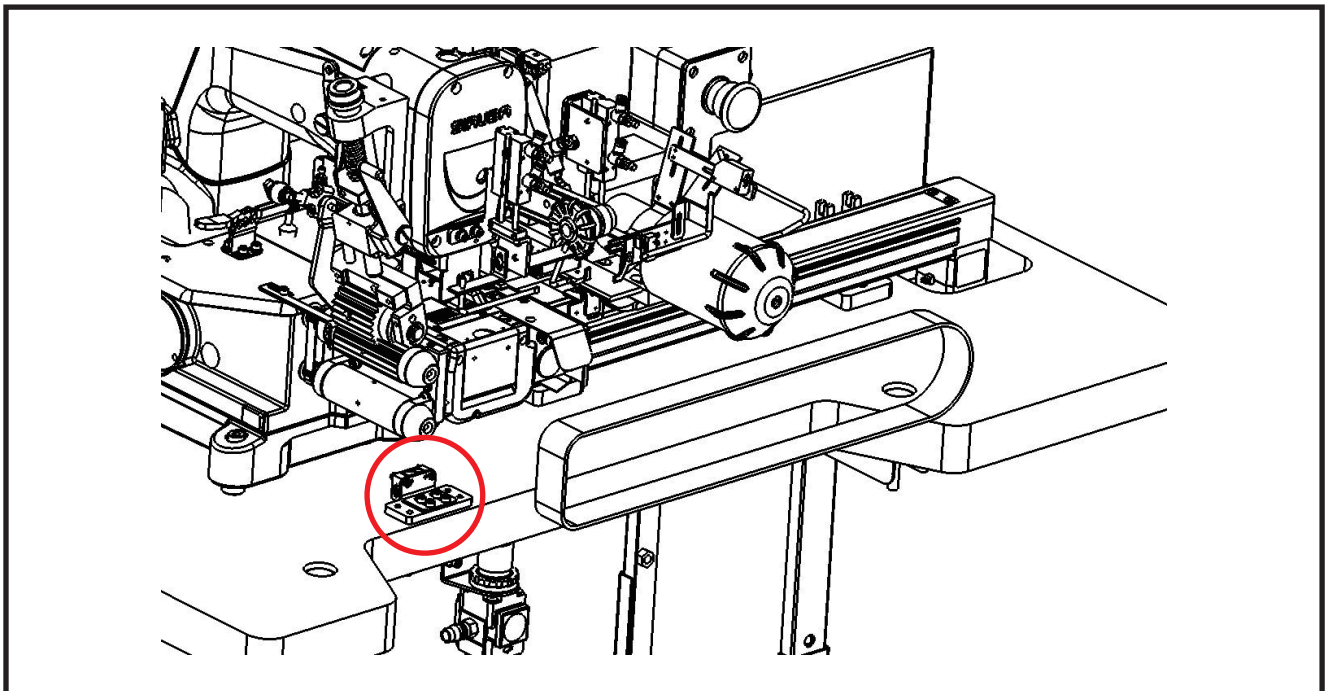


B. 鬆緊帶定位

面板上的鬆緊帶感測檢知③須亮起才可按下
啟動按鈕，若未感測到鬆緊帶，則須調整鬆
緊帶位置。

B. Position

Adjust elastic band to sensed by sensor ③
then press start button.



(5) 褲料安裝

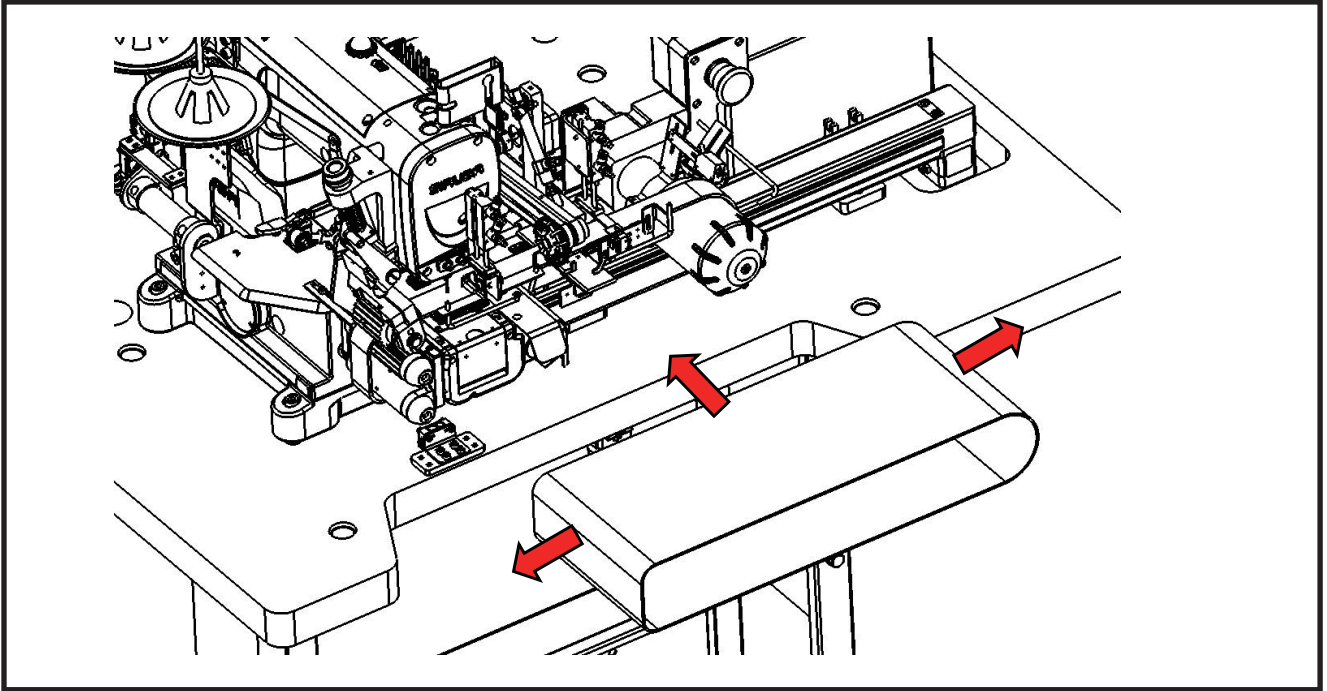
A. 褲料放置

將褲料擴開於兩滾輪以外並向前放置。

(5) Underpant installation

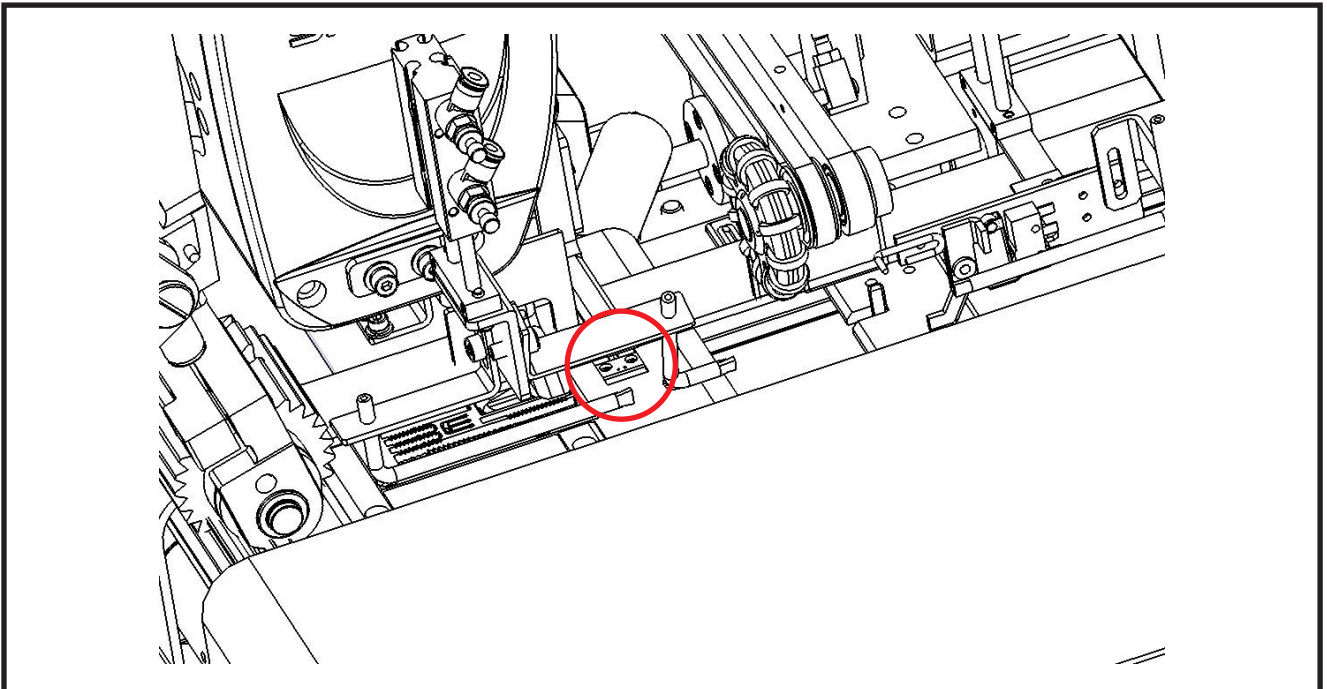
A. Fit on

Underpant stretched two wheel beyond then into wheel forward.



褲料邊緣須擋住穩布檢知④使面板上的布料感測狀態燈號亮起。

Sensor ④ must be sensed by underpants.

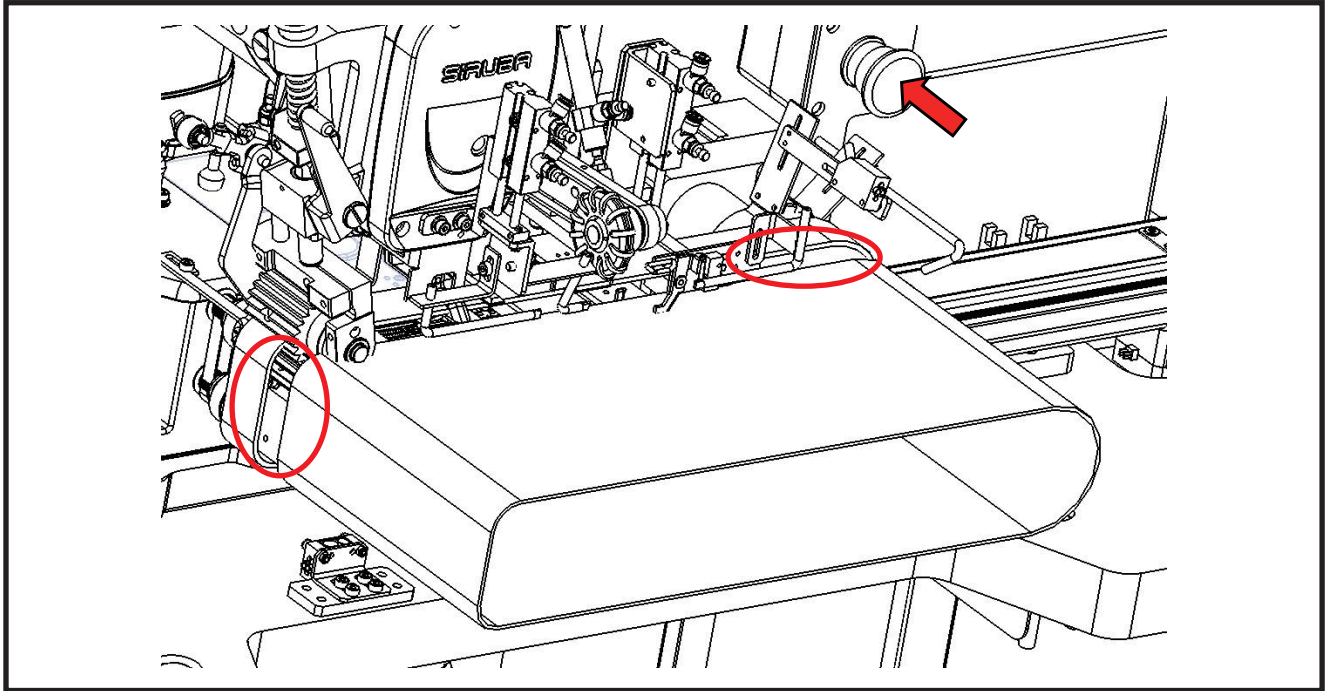


B. 褲料定位

褲料邊緣對齊鬆緊帶邊緣另一側對齊 擋邊下
啟動鈕。

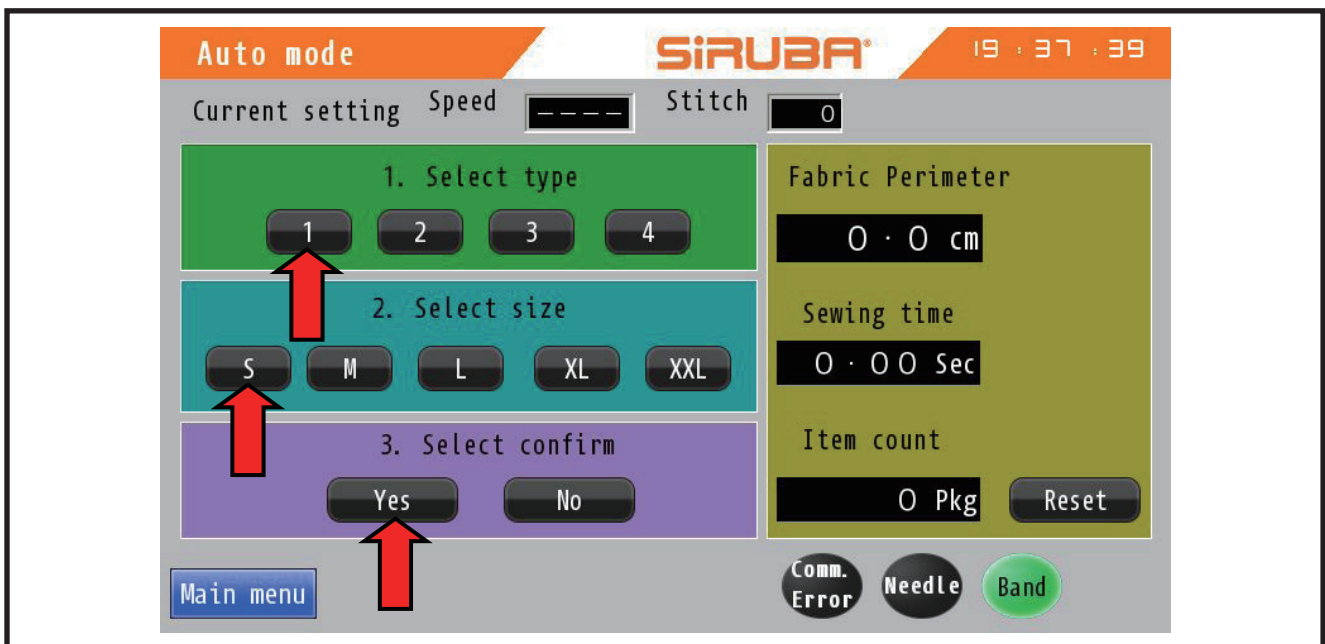
B.Position

Underpant rim align elastic band rim and
the other side align fixed part start button.



依序選擇版型與尺寸後點選確認按鈕。

Please choose the type and size then click "Yes" by sequence.

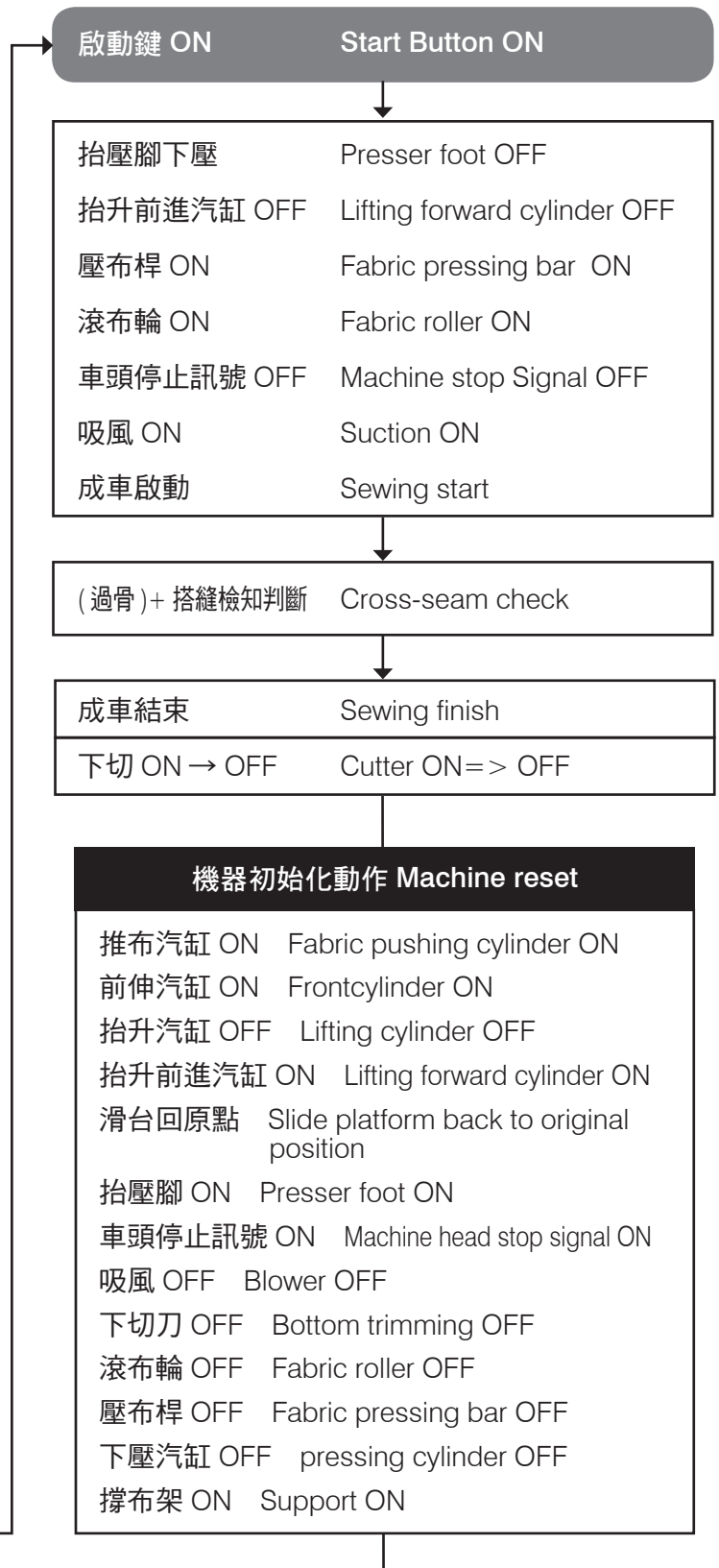
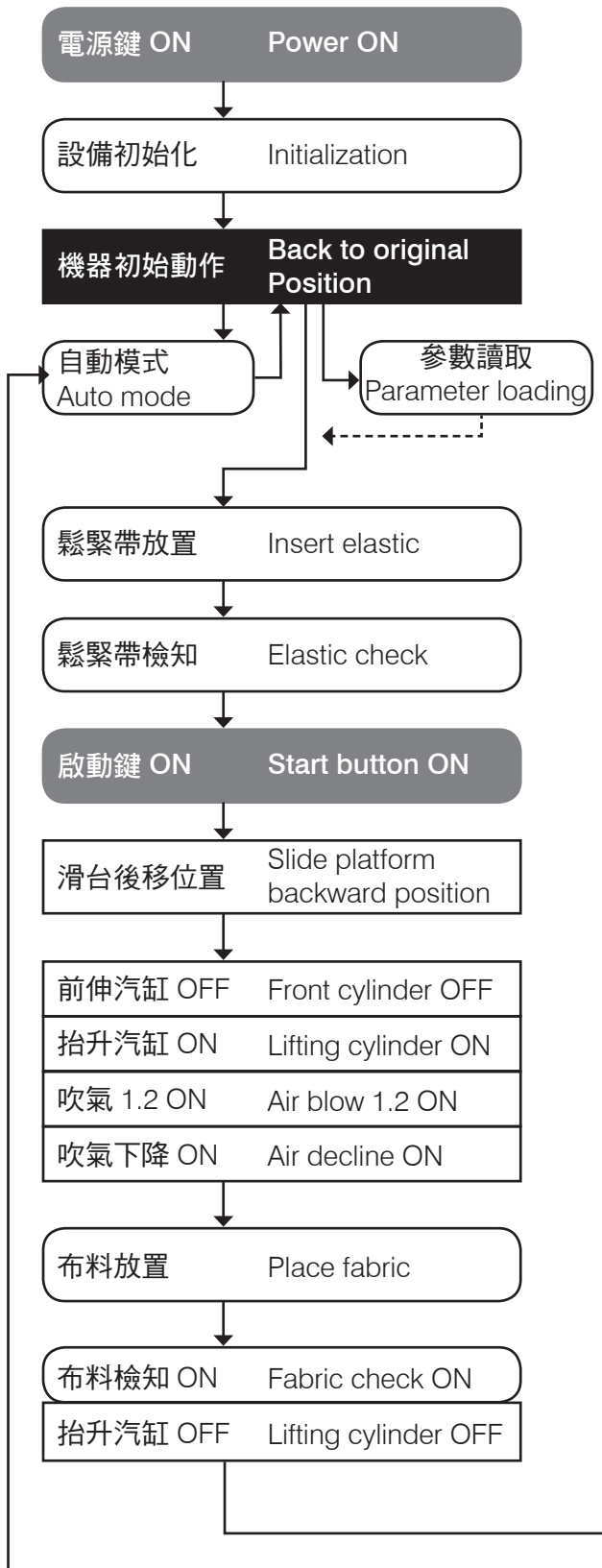


基本動作

BASIC OPERATION

(1) 自動模式

(1) Auto mode



規格變更與設定

SPECIFICATION CHANGE AND SETTING

(1) 皮帶寬度調整

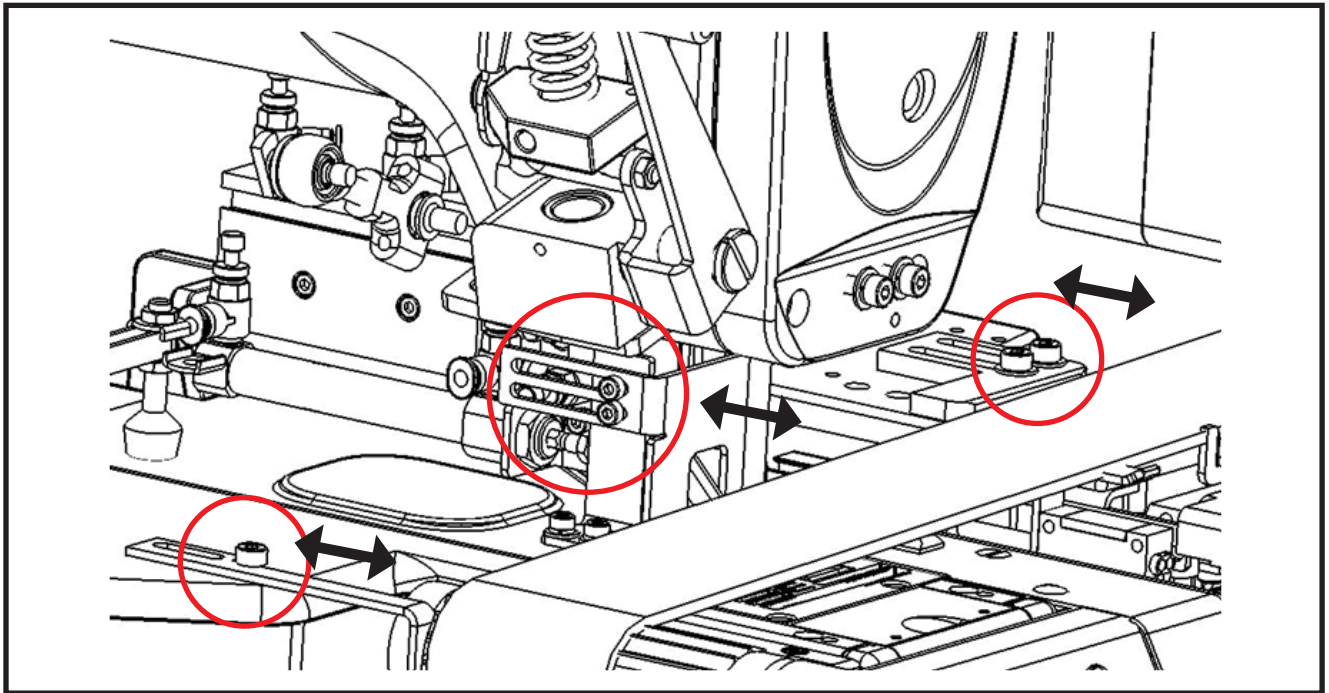
A. 擋邊調整

圖三處可調整皮帶對應寬度。

(1) Belt width adjustment

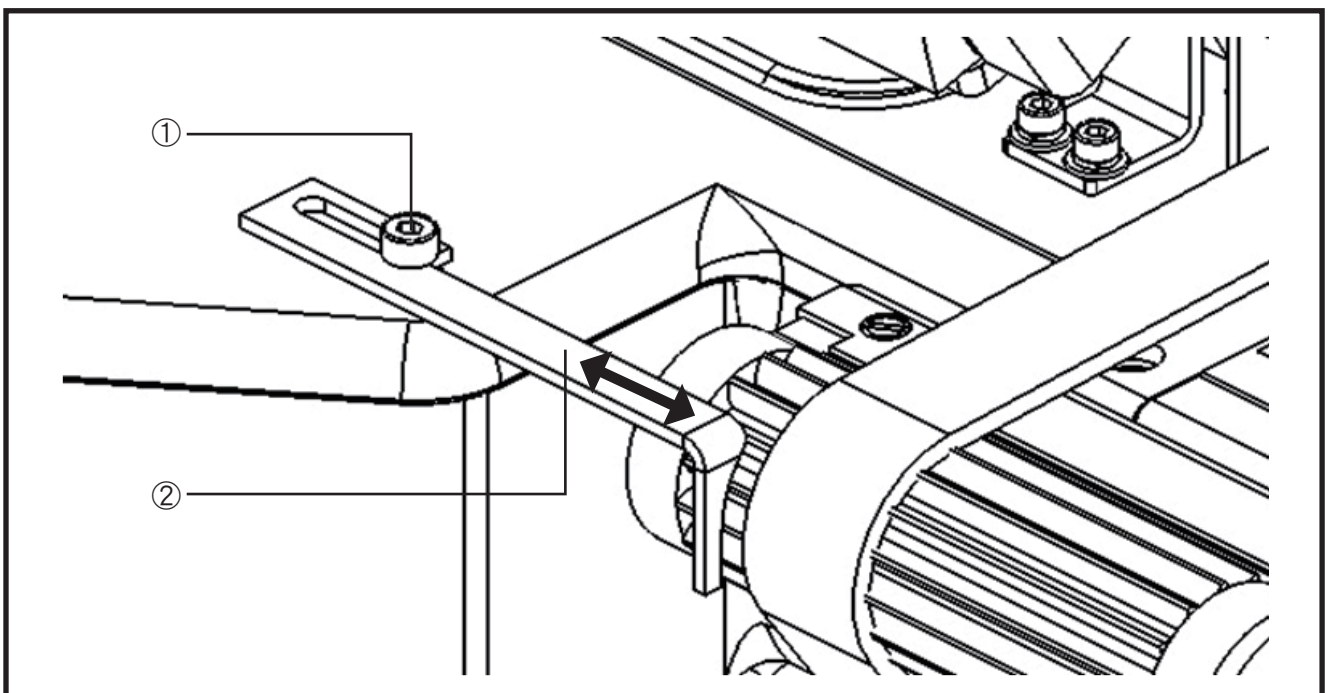
A. Edge stopper adjustment

Adjustable belt to match the correspondence width. In photo 3.



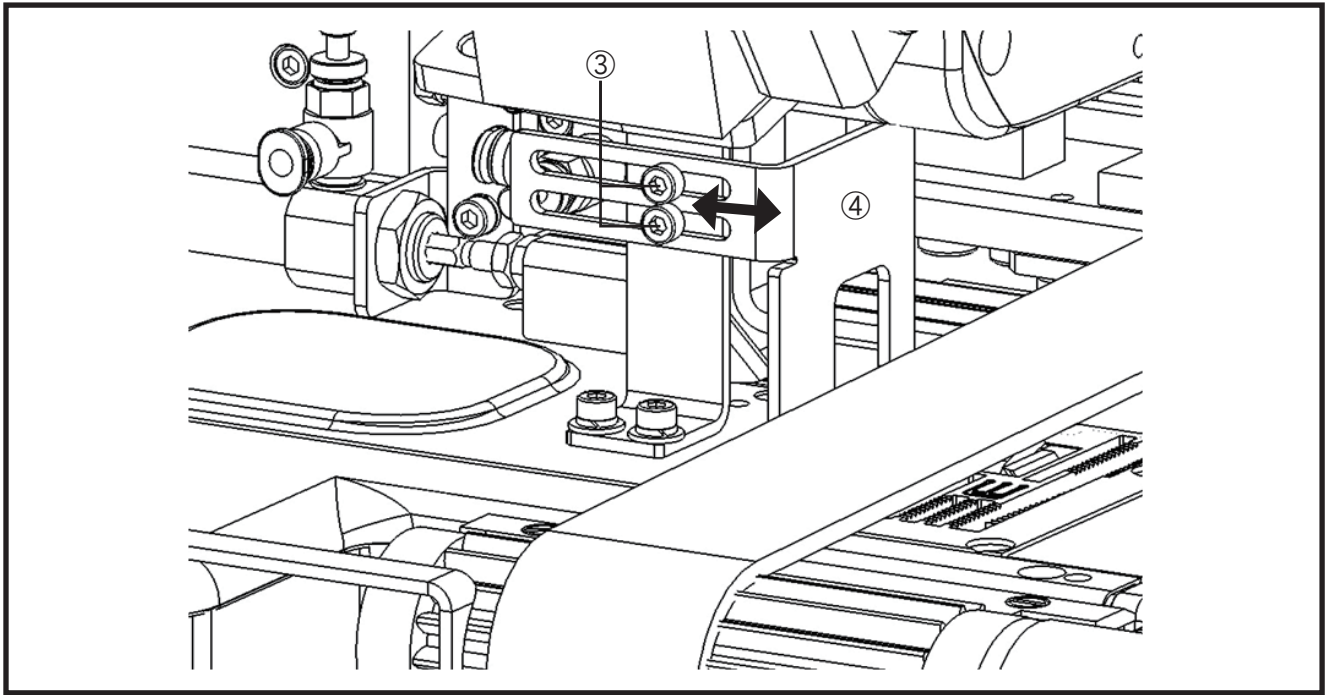
鬆開螺絲①後將擋邊②靠近鬆緊帶，再將螺絲①鎖緊。

Loose screw ① and move edge stopper ② close to elastic. Then, tighten the screw ①.



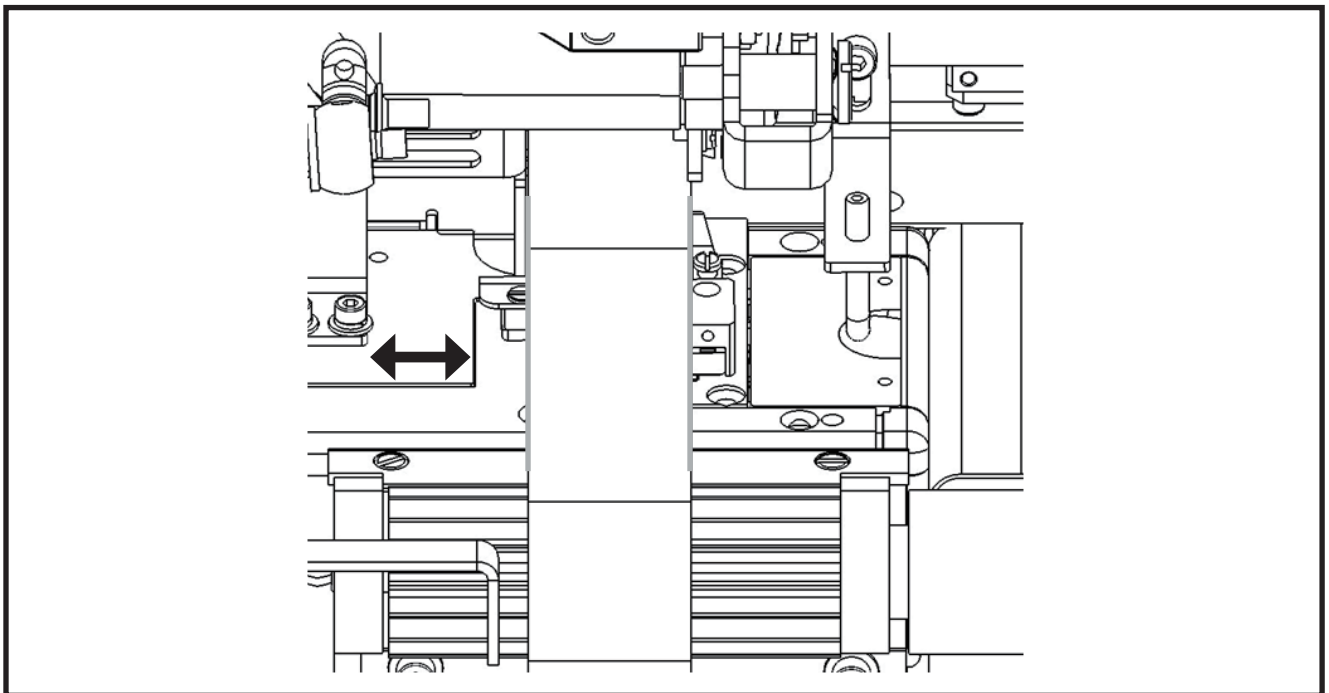
鬆開螺絲③後將擋邊④靠近鬆緊帶，再將螺絲③鎖緊

Loose screw ③ and move edge stopper ④ close to elastic. Then, tighten the screw ③.



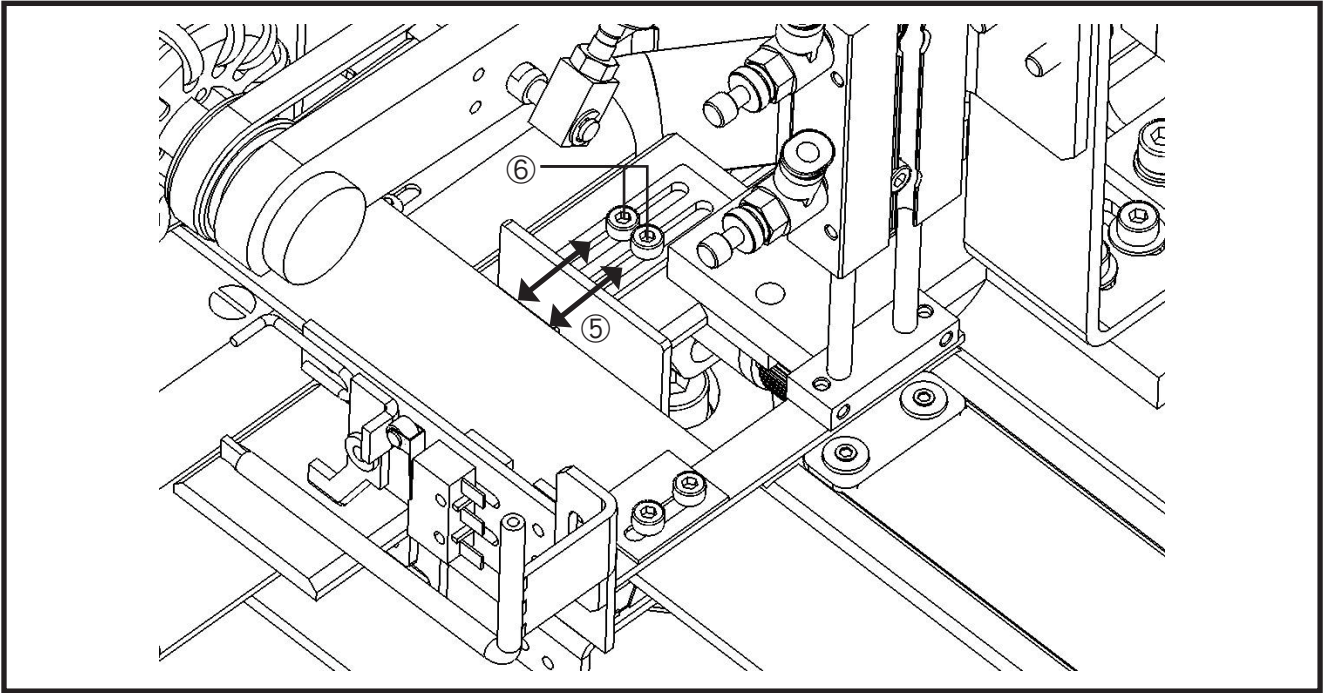
鬆緊帶對齊擋邊與壓腳邊緣，不留間隙。

Elastic align the edge stopper and the edge of pressor foot without any tolerance.



鬆開螺絲⑤後將擋邊⑥靠近鬆緊帶，再將螺絲⑤鎖緊。

Loose screw ⑤ and move edge stopper ⑥ close to elastic. Then, tighten the screw ⑤.



(2) 試縫模式

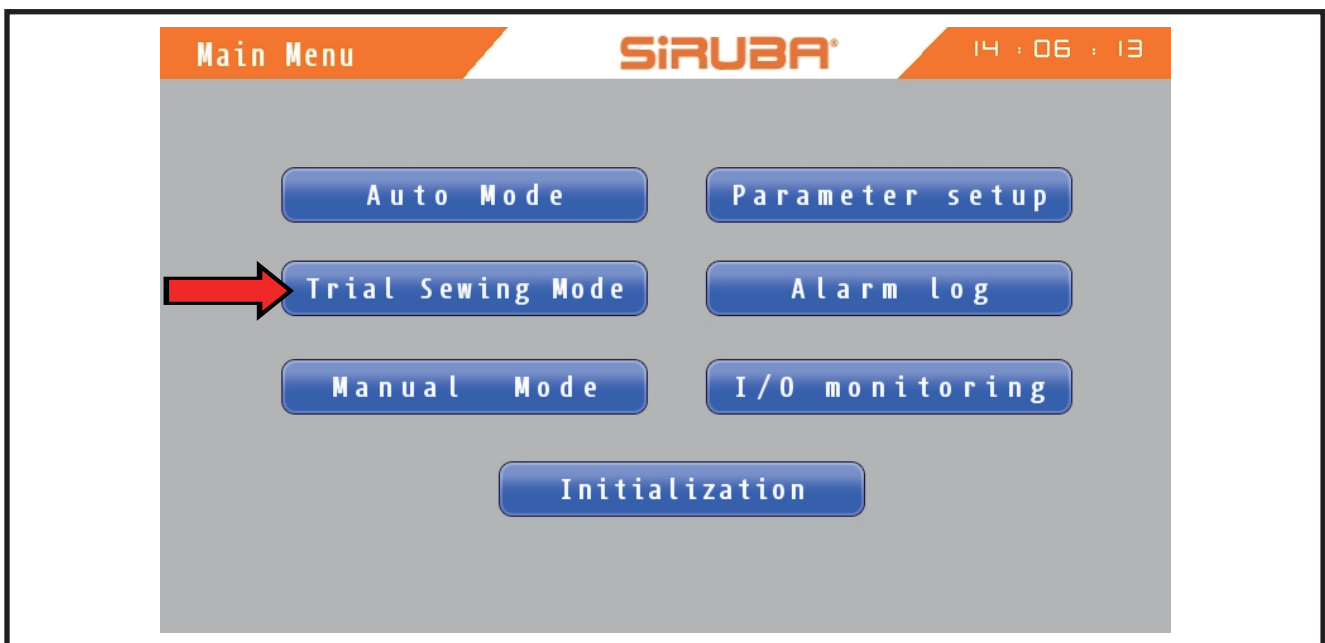
A. 選型設定

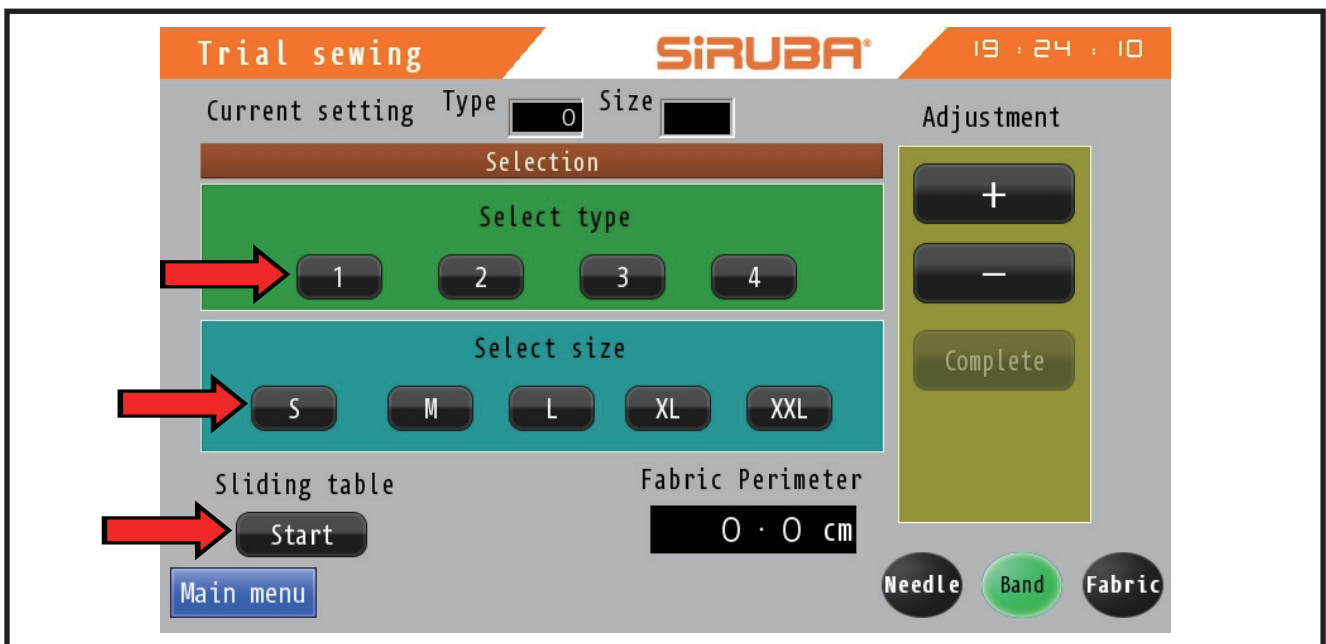
主選單點選進入【試縫模式】，依序選擇版型與尺寸後，將鬆緊帶置入後點選「啟動」使滑台移動到定位，將布料放入後點擊「+」、「-」調整張力位置後，點擊「調整完成確認」。

(2) Trial Sewing

A. Selection

Main Menu click 【 Trial Sewing 】. Please choose the type and size by sequence. Place elastic and click 「start」 then place fabric andclick 「+」 or 「-」 to adjust the tension of slide platform.After confirm the selection,please click 「complete 」。



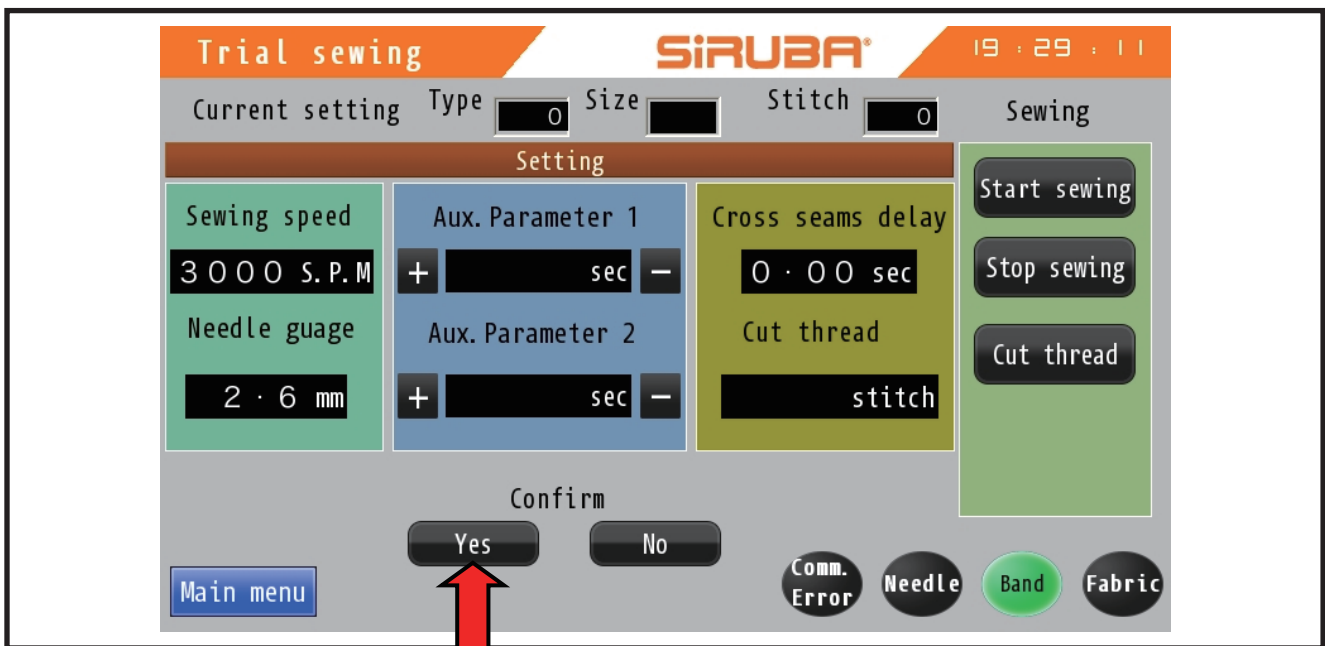
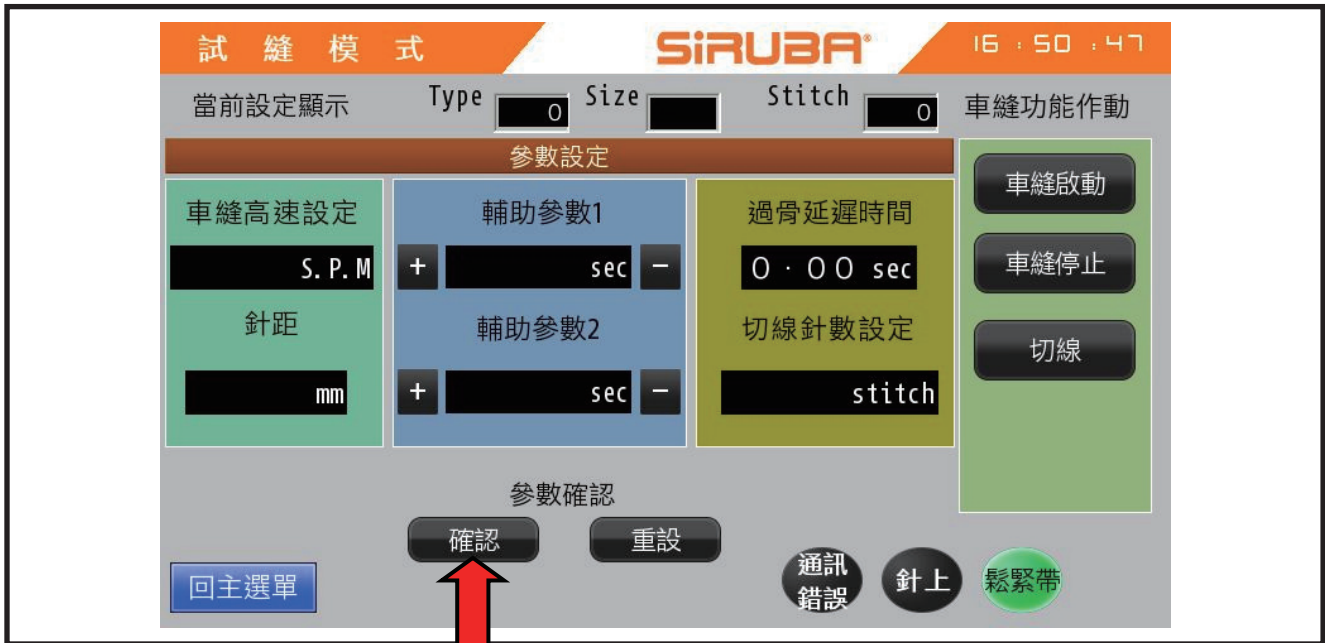


B. 參數設定

確認設定數值後請點擊「確認」。

B.Setting

After confirm the parameter value, please click 「Yes」.

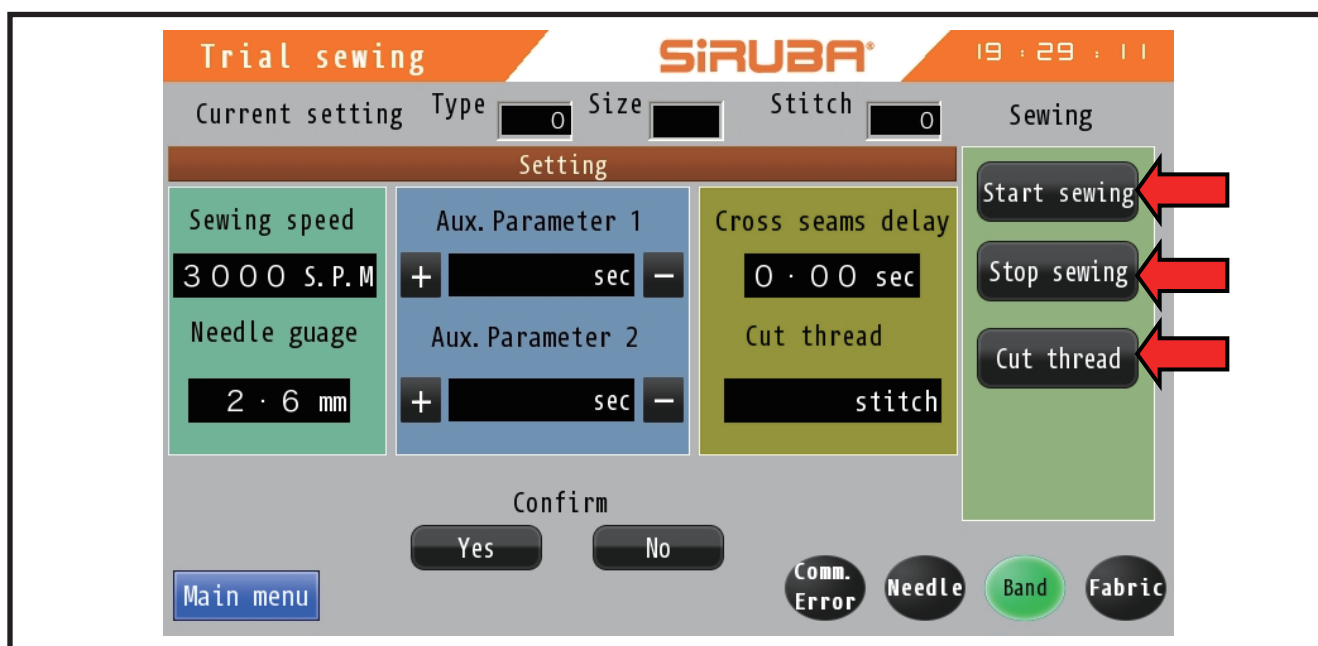
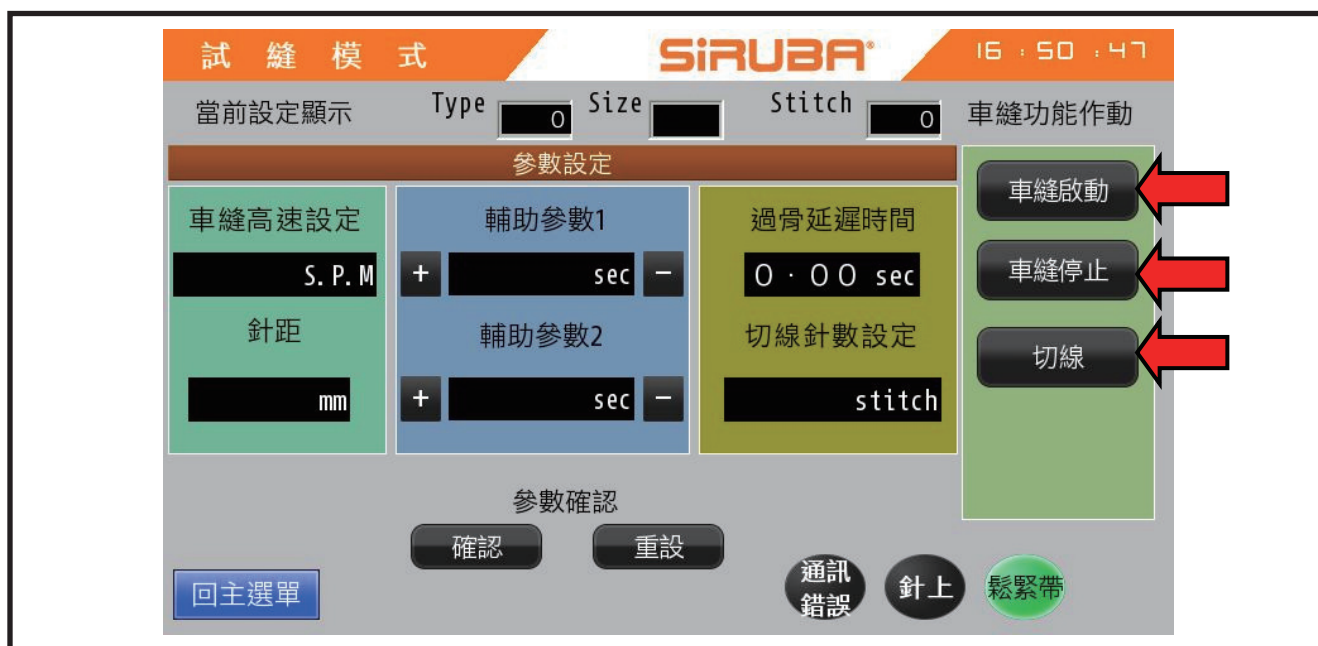


C. 試縫起動

試縫啟動須點擊「車縫啟動」，「車縫停止」可將動作停止，點擊「切線」後才可將布料從車頭取出。

C. Start Sewing

Test start will be click 「Start Sewing」, 「Stop Sewing」 can stop the operation. The fabric can be removed from machine head by click 「Cut thread」.

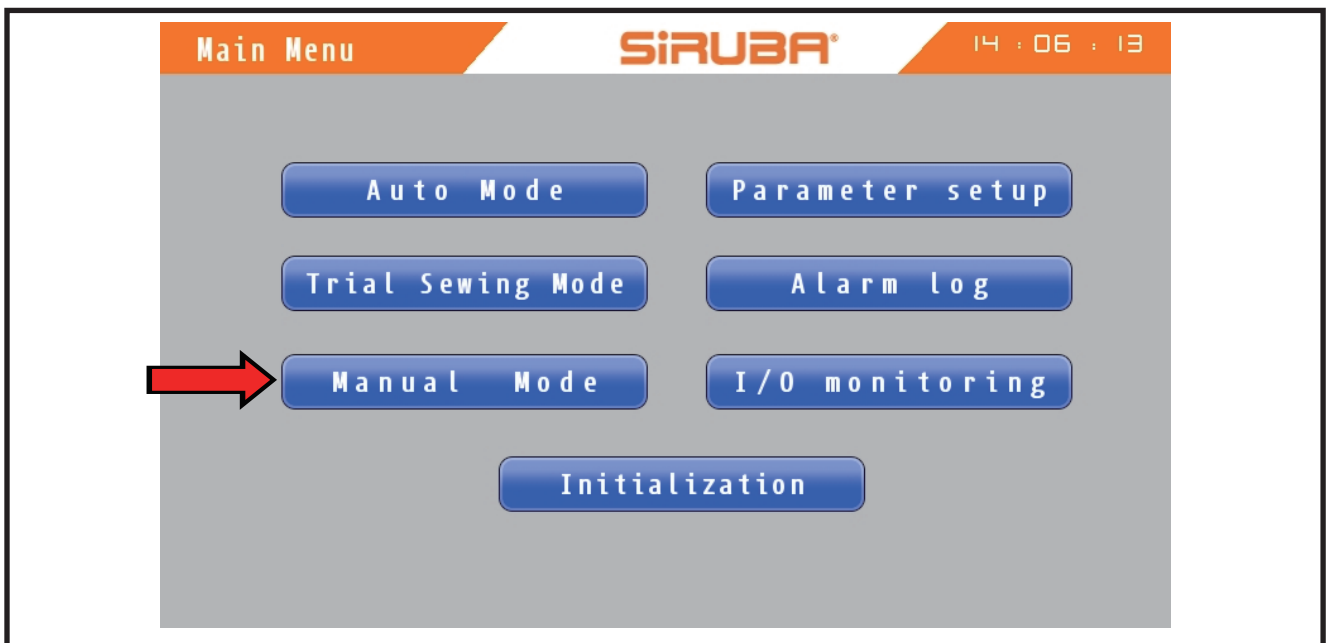


異常排除

TROUBLE SHOOTING

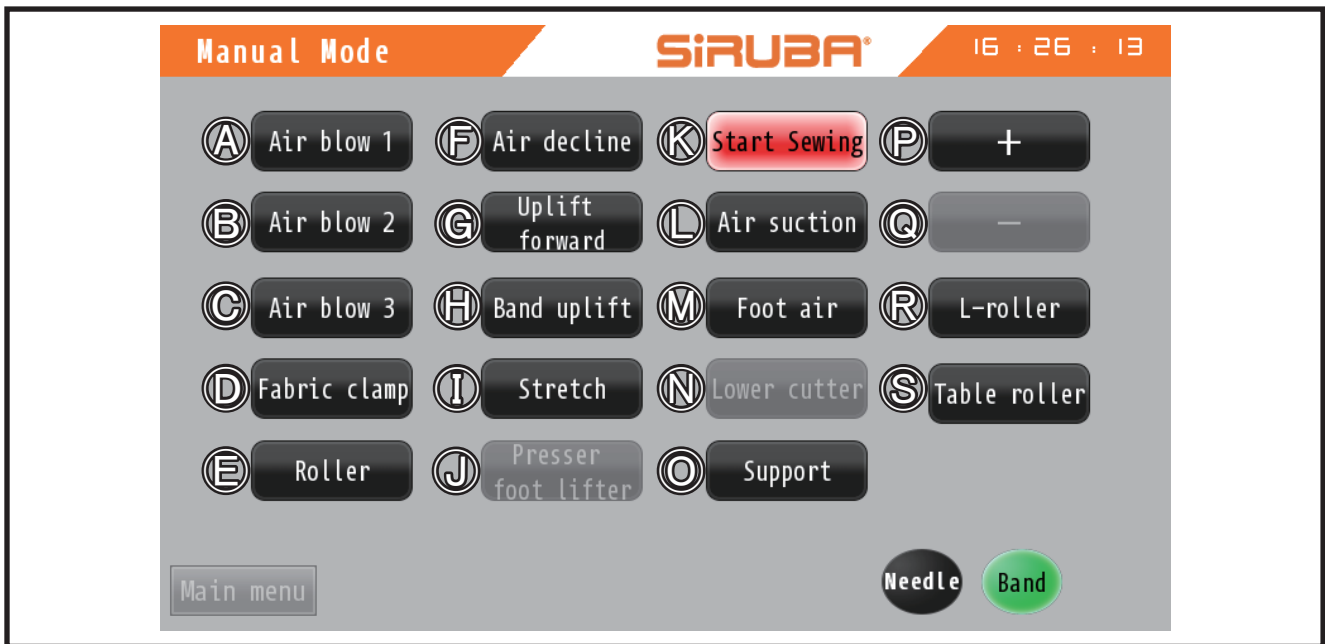
(1) 單動模式
主選單點選進入【單動模式】。

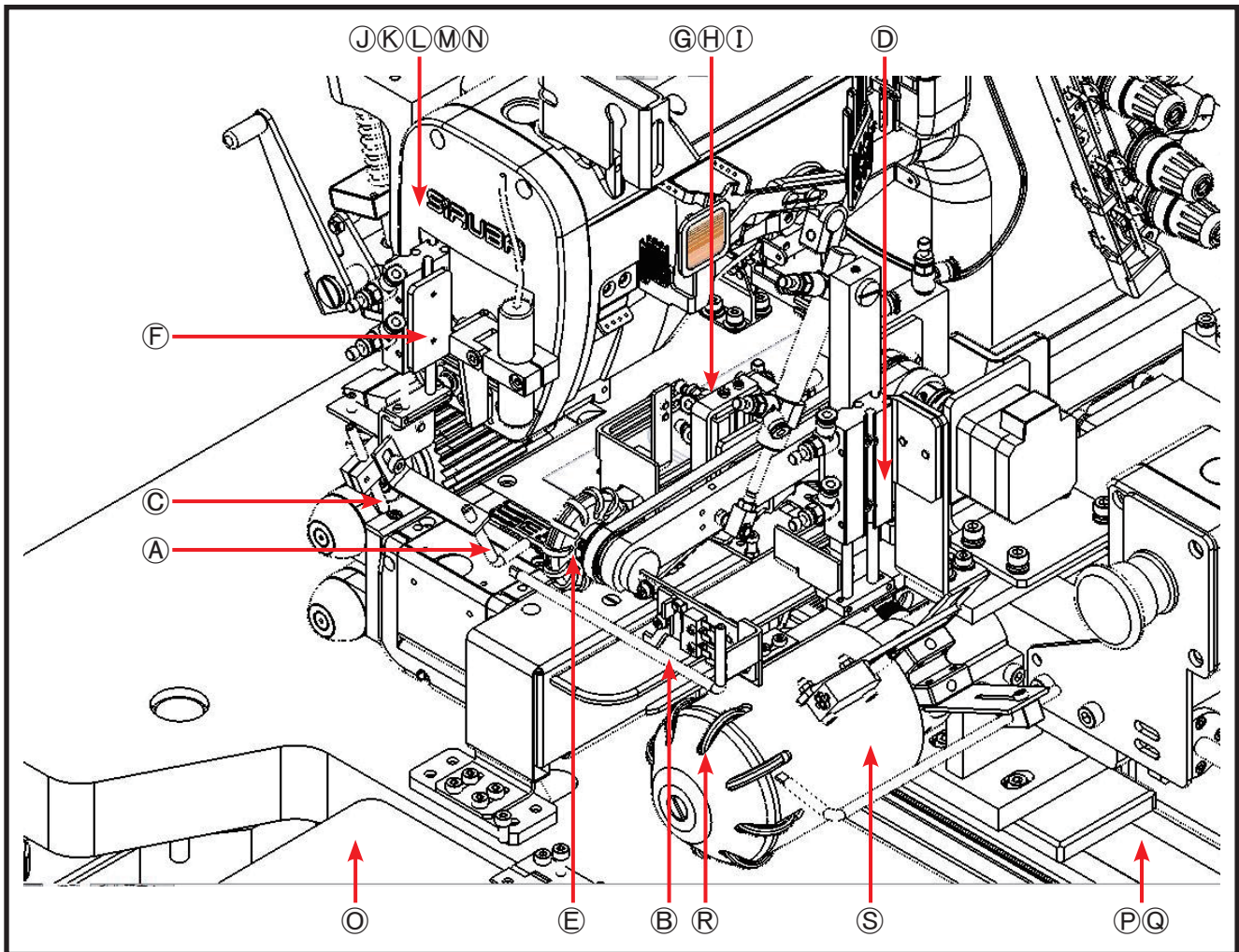
(1) Manual
Main menu click 【Manual】.



動作編號與位置 (點擊觸動)

Action Index and position (click to activate)





(2) 異常原因與對策

(2) Error and solution:

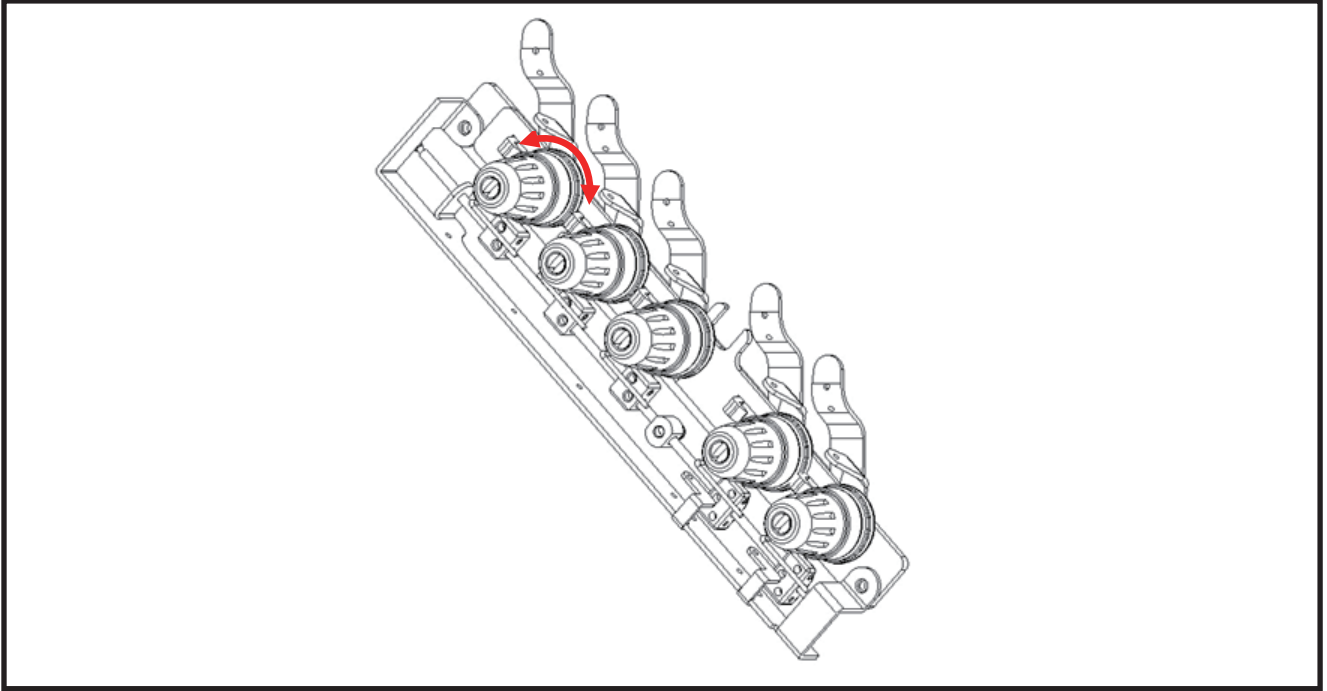
| 異常 Error | 原因 Reason | 對策 Solution | 參考頁數 Reference Page |
|---|---|---|--|
| 縫線缺少或縫線不良 Skip seam | 斷線或張力不足 breakable thread tension | 調整供線張力輪 Adjust tension set | 參考 P.25 Refer to P.25 |
| 滾布輪捲布 Fabric roller catches fabric | 滾布輪位置過低 Fabric roller position too low | 滾布輪下壓位置微調向上 Adjust fabric roller up. | 參考 P.25 Refer to P.25 |
| 切線不順 Unstable trimming | 下切刀鈍化 Bottom trimmer blunt | 下切刀更換 Replace bottom trimmer | 參考 C007K 使用說明書 Refer to C007K instruction manual |
| 檢知異常 Sensor error | 檢知故障或感測錯位 Sensor damage or sensor dislocation. | 更換檢知或調整位置 Adjust location or replace sensor | 參考人機介面說明中的狀態監視 P.29 Refer to Panel instruction – I/O monitor P.29 |
| 褲料切邊過大 The overcutting edge of underpants | 褲料放置未對齊 O 型環以致送布過量 Underpants position doesn't align o ring cause fabric over feeding | 褲料放置對齊滾輪 O 型環 避免布送過量 The underpants should place to align the o ring to avoid fabric over feeding | 參考 P.26 Refer to P.26 |
| 車縫後無預警停止或無法停止 Unexpected stop or unstopable after sewing | 接縫檢知位置錯位導致接縫檢知提前感應或無法感應 Cross seam sensor misallocations causes the sensor activate earlier or can't activate. | 調整接縫檢知位置 Adjust cross seam sensor location | 參考 P.26 Refer to P.26 |

供線張力輪組

依照圖示順時針為加強線張力，反之以降低張力。

Tension set

Adjust the tension set. Winding by turning clockwise and unwinding by turning counter clockwise.

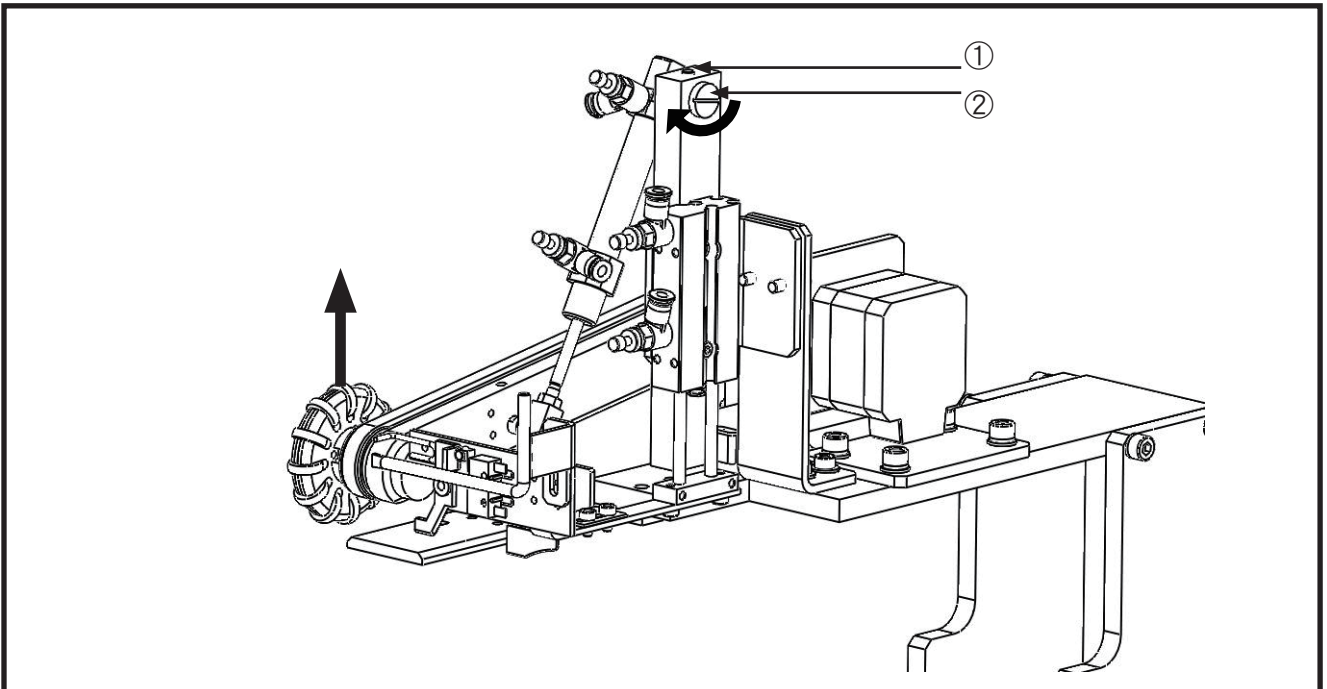


調整滾布輪

鬆開①內六角螺絲後，微調②使滾布輪上升，再將①鎖固。

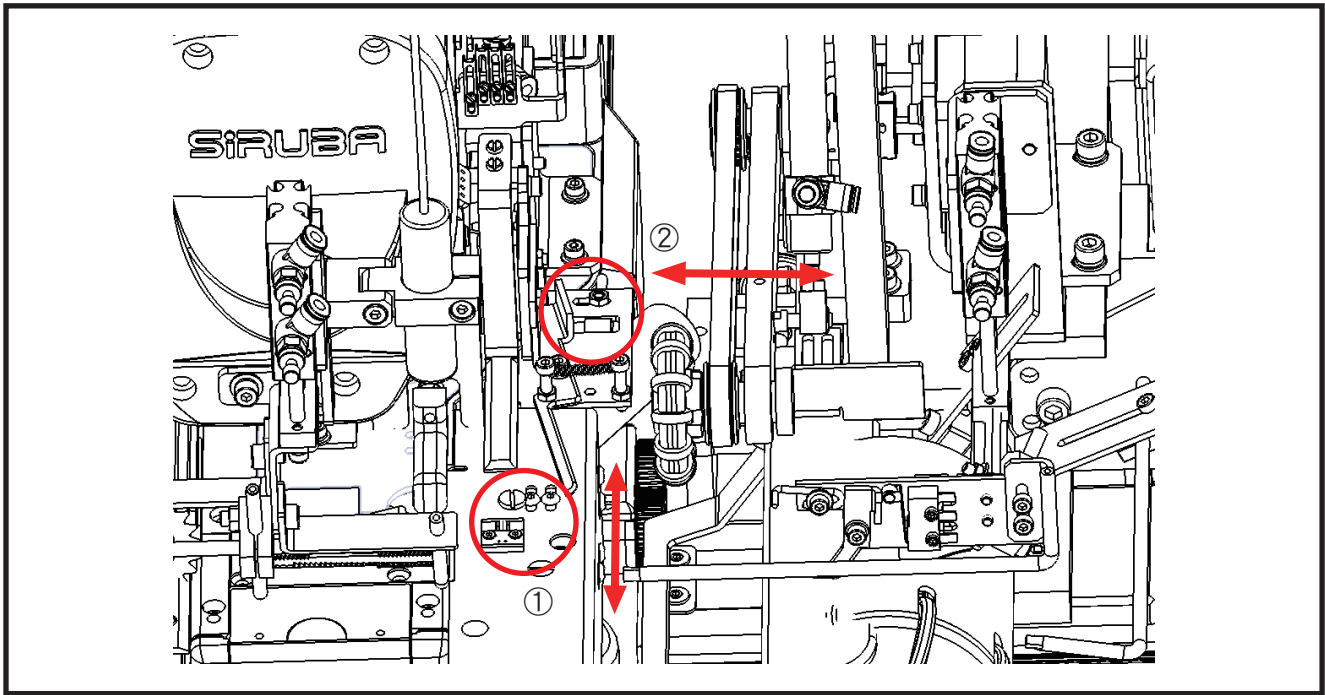
Adjust fabric roller

Release ① hexagon socket screw and adjust the fabric roller up. Then tighten ①.



切邊過大
需調整 1 號感應器前後位置。

Edge overcutting
Need to adjust the position of NO.1 sensor.



車縫後無預警停止或無法停止，可調整上圖 2 號感應器左右位置。

Unexpected stop or unstopable after sewing
Adjust cross seam sensor location (Number 2).

人機介面說明

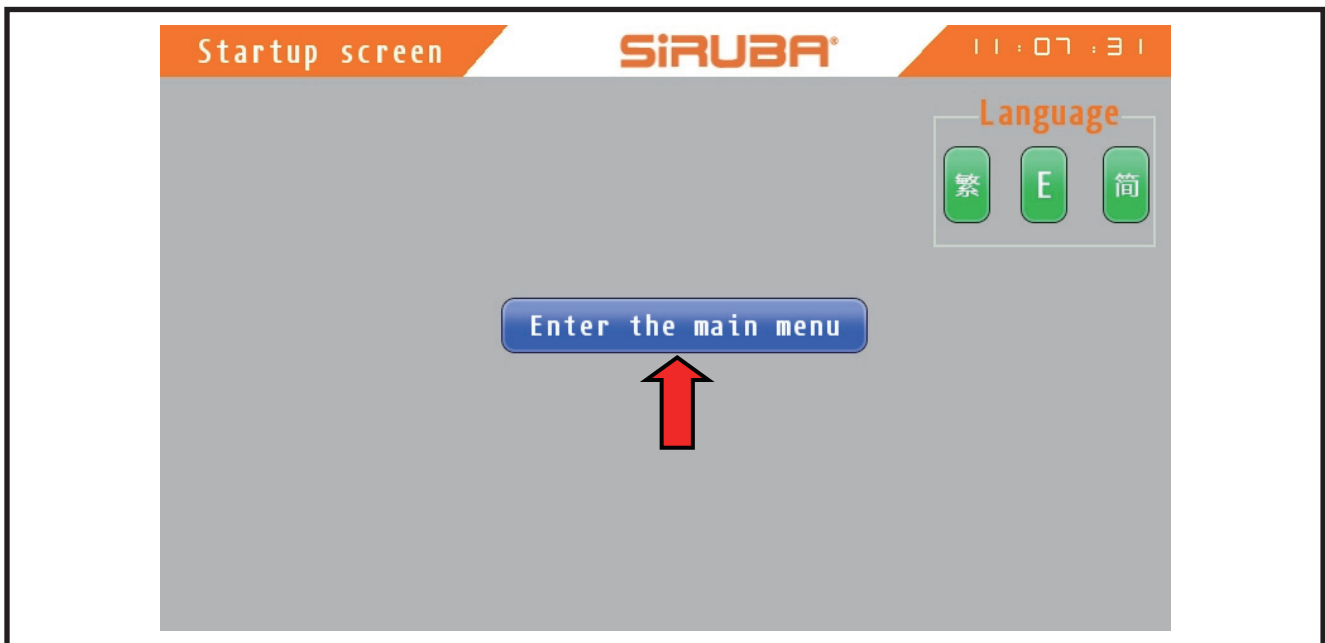
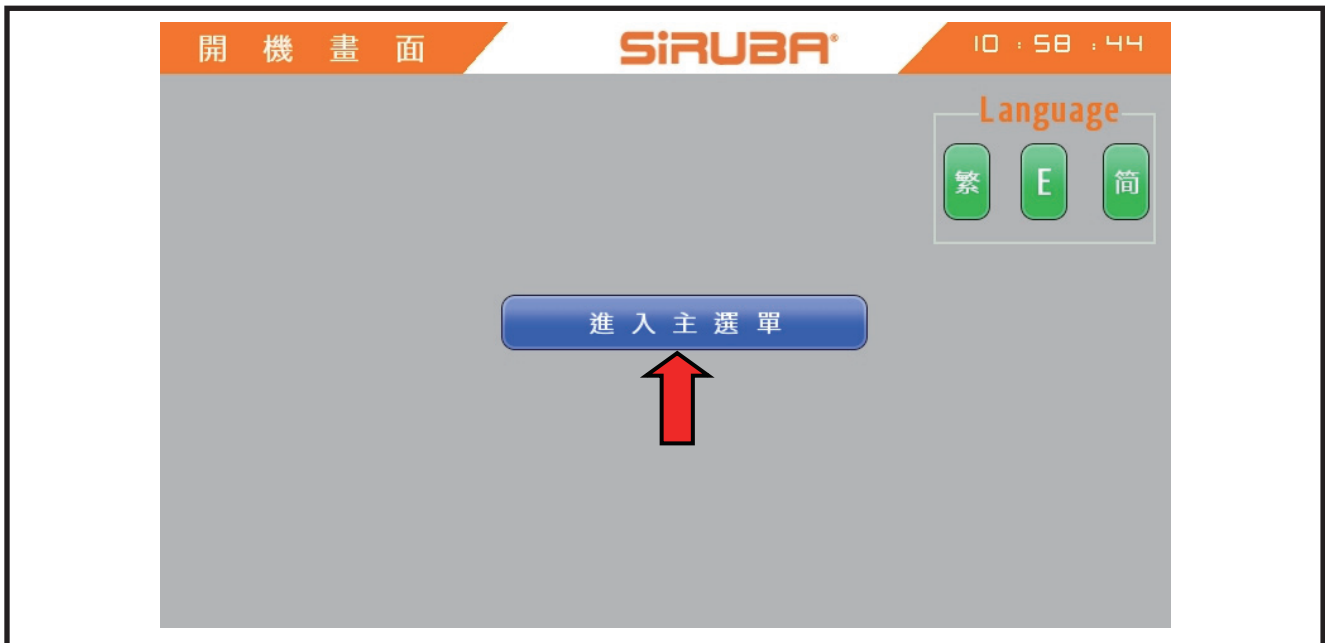
PANEL INSTRUCTION

A. 開機畫面

說明：初始畫面，右上角顯示當前時間。當使用者按壓"進入主選單按鈕"將到主選單畫面中。

A.Startup screen

The homepage after start the machine. The present time shows on top right side of the screen. When user click " menu", machine will jump to menu page.

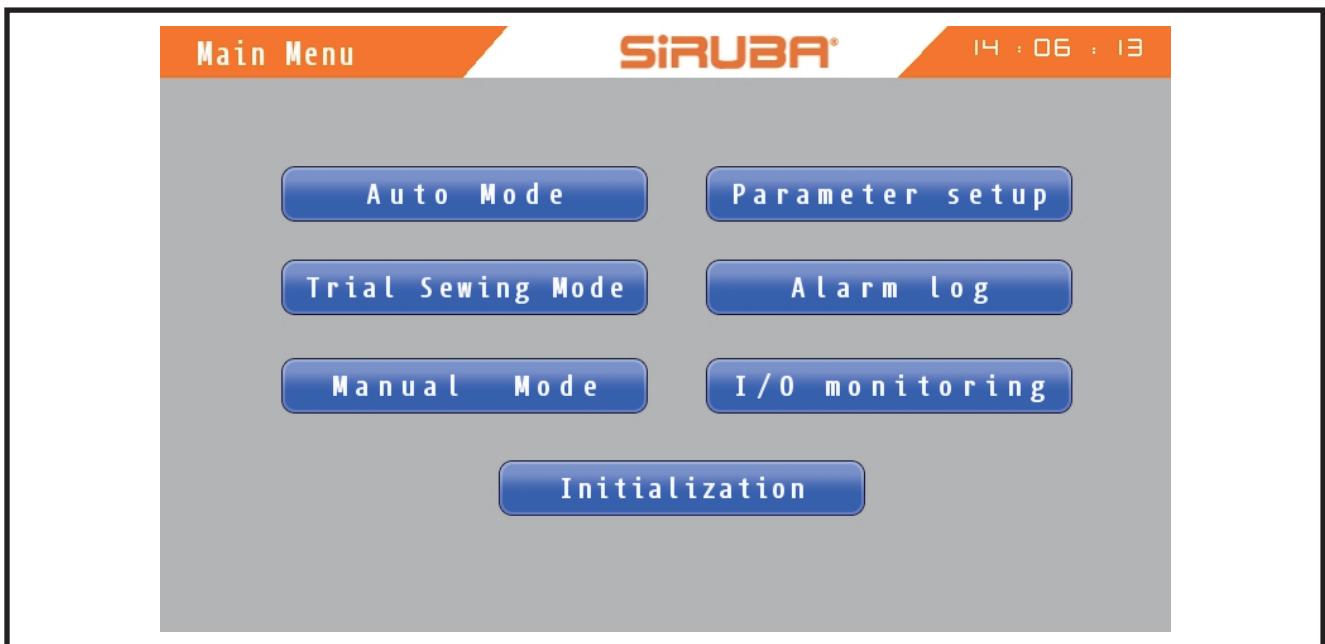


B. 主選單

說明：主選單提供使用者選擇不同的動作模式與參數設定等功能按鈕。

B. Main Menu:

MENU page provide the user different mode and parameter setting botton.



C. 狀態監視

C. I/O monitor

訊號監視 1
SIRUBA®
11 : 32 : 06

| KV-5500 MODULE/INPUT | STATUS | C32XTD MODULE/INPUT | STATUS |
|----------------------|--------|---------------------|--------|
| R000/滑台原點感測開關 | ● | R34000/小滾輪光電開關 | ● |
| R003/鬆緊帶感測開關 | ● | R34005/下切刀光電開關 | ● |
| R004/滑台正轉極限 | ● | | |
| R005/過骨檢測開關 | ● | | |
| R006/滑台反轉極限 | ● | | |
| R007/布料感測光纖 | ● | | |
| R008/接縫感測開關 | ● | | |
| R010/針上訊號 | ● | | |

回主選單

I/O Monitor
SIRUBA®
15 : 44 : 04

| KV-5500 MODULE/INPUT | STATUS | C32XTD MODULE/INPUT | STATUS |
|----------------------|--------|------------------------|--------|
| R000/Origin sensor | ● | R34000/L-roller sesnor | ● |
| R003/Band sensor | ● | R34005/Cutter sensor | ● |
| R004/Left limit | ● | | |
| R005/Joint sensor | ● | | |
| R006/Right limit | ● | | |
| R007/Fabric sensor | ● | | |
| R008/Seam sensor | ● | | |
| R010/Needle | ● | | |

Main menu

| 訊號監視 2 | | SiRUBA® | | 11 : 32 : 38 | |
|----------------------|--------|----------------------|--------|--------------|--|
| C32XTD MODULE/OUTPUT | STATUS | C32XTD MODULE/OUTPUT | STATUS | | |
| R34200/吹氣1 | ● | R34209/撐布架 | ● | | |
| R34201/吹氣3 | ● | R34210/車頭_吸風 | ● | | |
| R34202/壓布桿 | ● | R34211/車頭_吹線 | ● | | |
| R34203/滾布輪 | ● | R34213/抬壓腳 | ● | | |
| R34204/吹氣上升 | ● | R34214/下切刀 | ● | | |
| R34206/抬升前進 | ● | R34215/吹氣2 | ● | | |
| R34207/鬆緊帶抬升 | ● | | | | |
| R34208/前伸 | ● | | | | |

回主選單

| I/O Monitor | | SiRUBA® | | 13 : 38 : 16 | |
|----------------------|--------|----------------------|--------|--------------|--|
| C32XTD MODULE/OUTPUT | STATUS | C32XTD MODULE/OUTPUT | STATUS | | |
| R34200/Air blow 1 | ● | R34209/Support | ● | | |
| R34201/Air blow 3 | ● | R34210/Suction | ● | | |
| R34202/Fabric clamp | ● | R34211/Blow wire | ● | | |
| R34203/Roller | ● | R34213/Foot lifter | ● | | |
| R34204/Air decline | ● | R34214/Lower cutter | ● | | |
| R34206/Forward | ● | R34215/Air blow 2 | ● | | |
| R34207/Band uplift | ● | | | | |
| R34208/Stretch | ● | | | | |

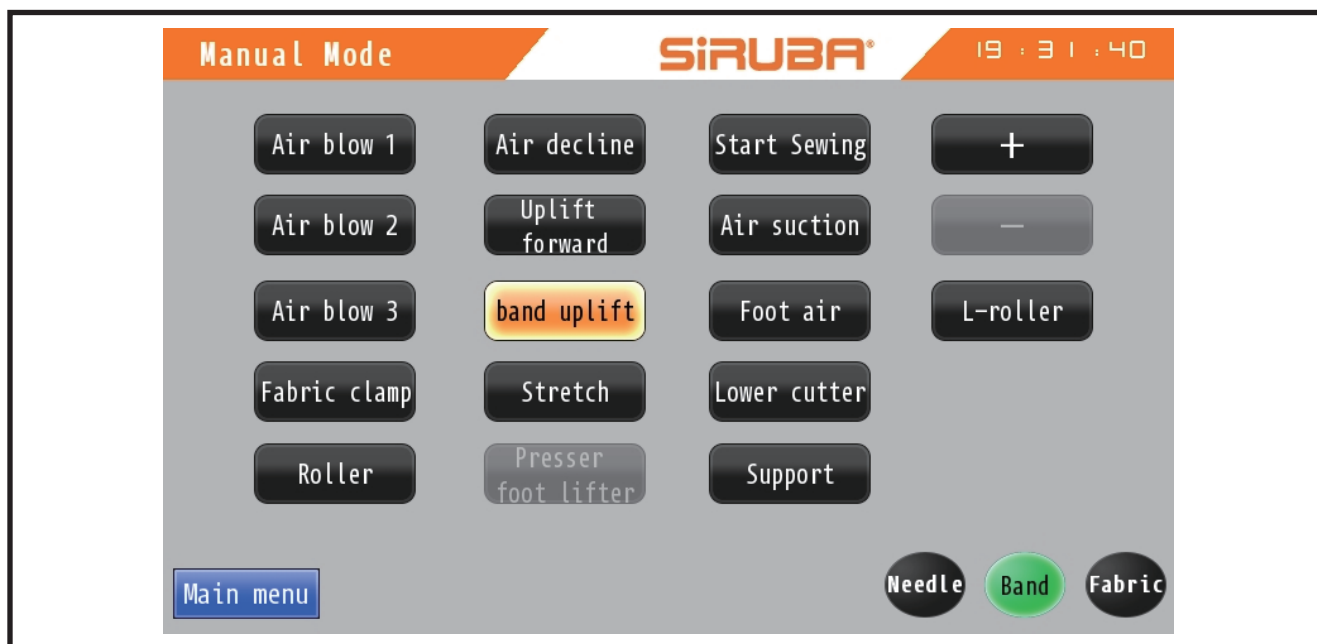
Main menu

說明：狀態監視頁面為當前設備上各感測開關與控制系統回傳訊號的監視頁面，方便使用者與維修人員進行除錯與異常處理的判斷。

Status monitoring page is the sensor and control system signal feedback page. It helps user and maintenance personnel to proceed troubleshooting.

D. 單動模式

D. Manual

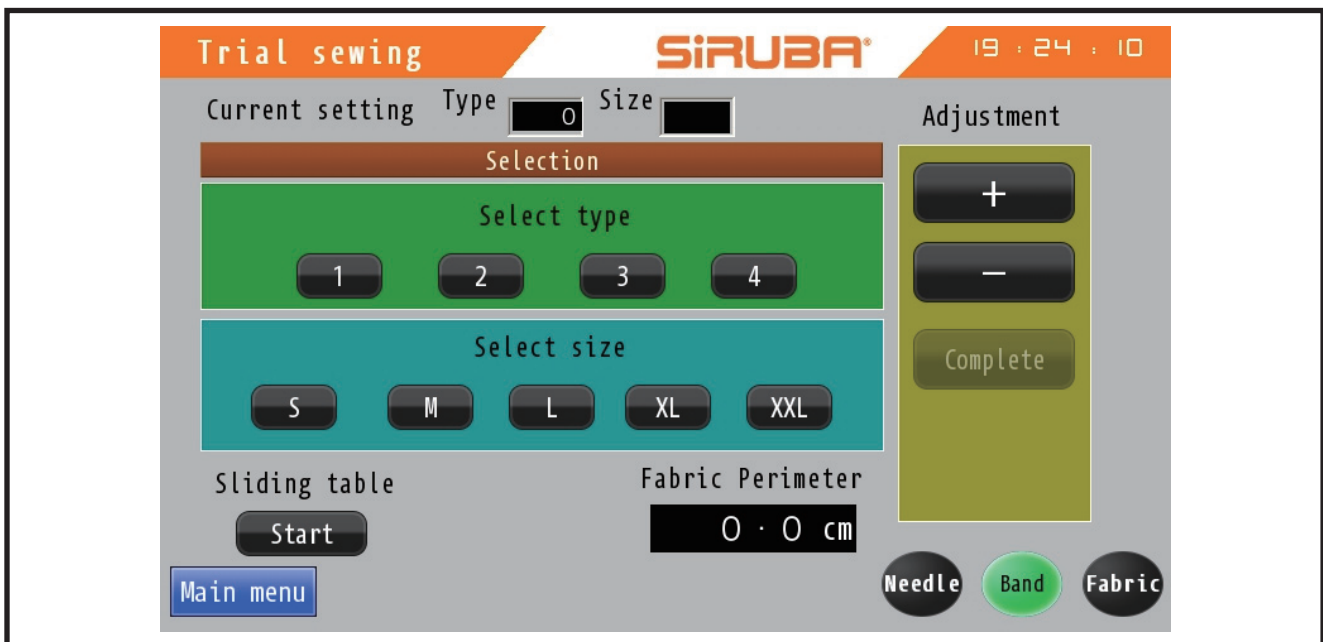
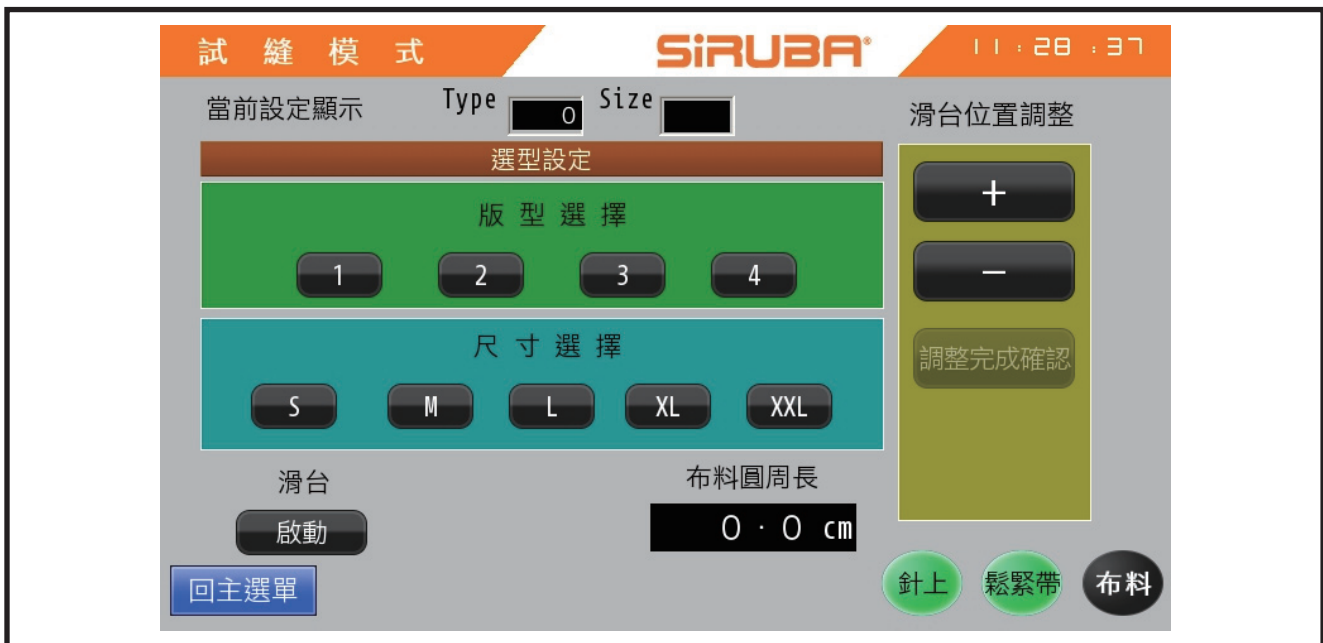


說明：單動模式主要讓熟悉此設備的操作人員或者維修技術人員，可進行設備上各氣缸的手動控制，進行故障排除，或測試機台功能等用途。

Manual is mainly for maintenance to adjust the cylinder, troubleshooting or testing the function of the machine.

E. 試縫模式

E. Trial Sewing



說明：當使用者測試一件不同規格布料，於此模式下進行張力調整與試車縫動作。

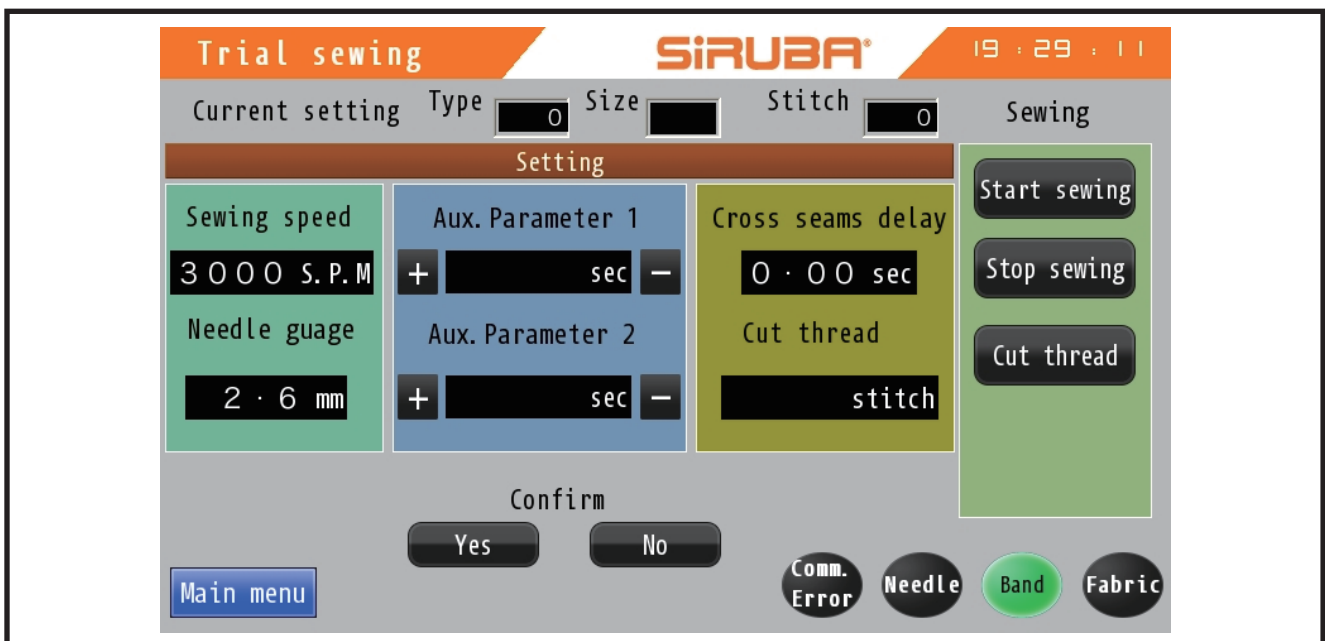
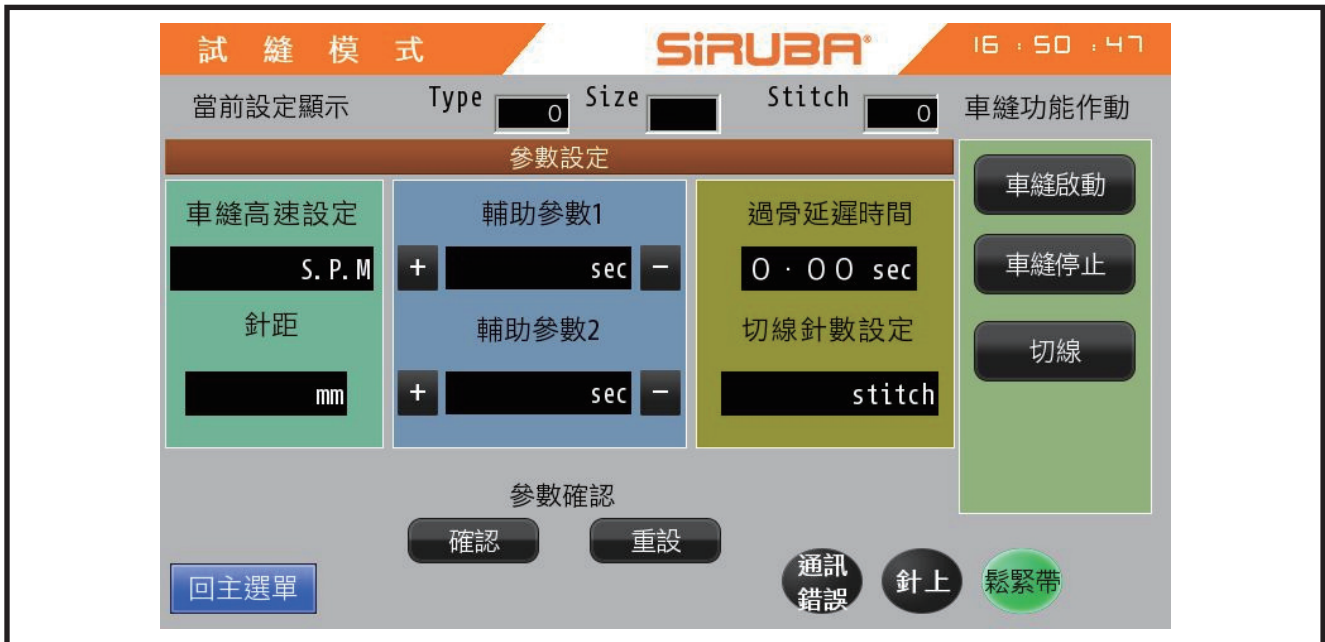
- (1) 車縫高速設定：設定車縫速度。
- (2) 針距設定：設定車縫針距。
- (3) 輔助參數 1：輔助參數 1 的設定。
- (4) 輔助參數 2：輔助參數 2 的設定。

When user tests different spec of fabric under trail sewing, the user can adjust tension and test seaming action.

- (1) Sewing speed: Setting the speed of sewing.
- (2) Needle gauge: Input the needle gauge of machine.
- (3) Aux.parameter 1: To adjust the auxiliary parameter 1 of sewing.
- (4) Aux.parameter 2: To adjust the auxiliary parameter 1 of sewing.

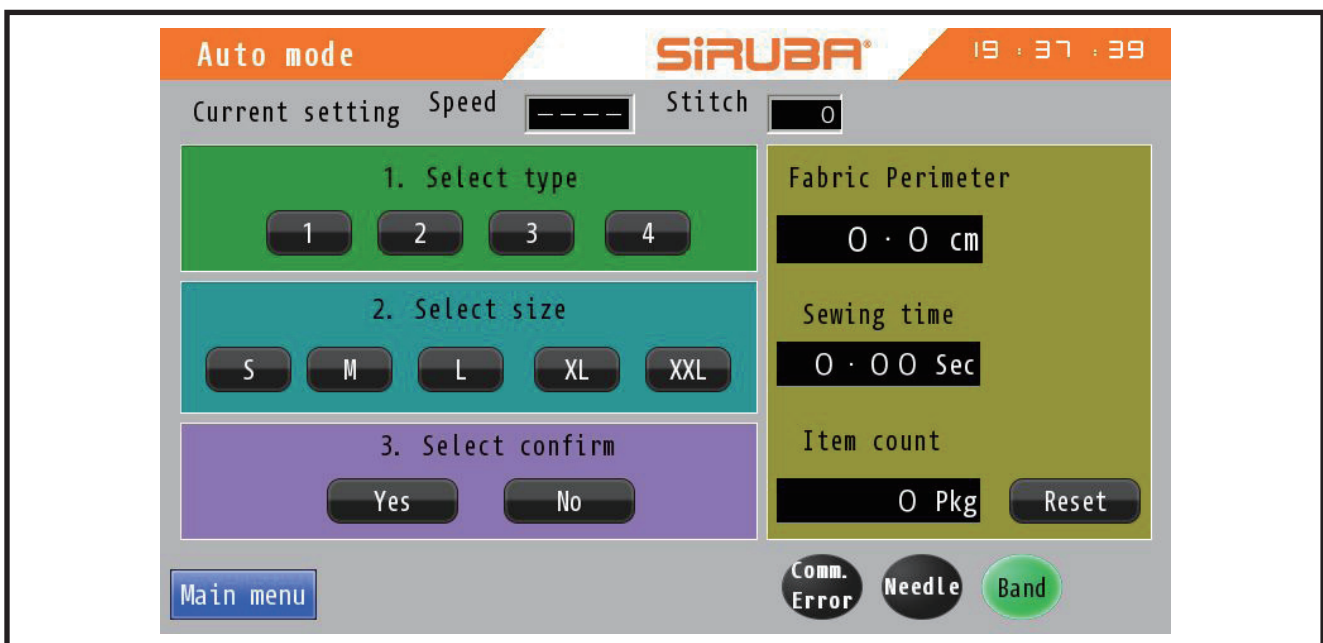
- (5) 過骨延遲時間：過骨延遲時間設定。
- (6) 切線針數設定：設定搭縫切線針數。

- (5) Cross delay time : Setting the delay time of cross seams.
- (6) Cut thread: The stitches counting from stitch overlap to trimming.



F. 自動模式

F. Auto



說明：提供使用者進行自動車縫動作，按壓兩次啟動按鈕，即可完成車縫。

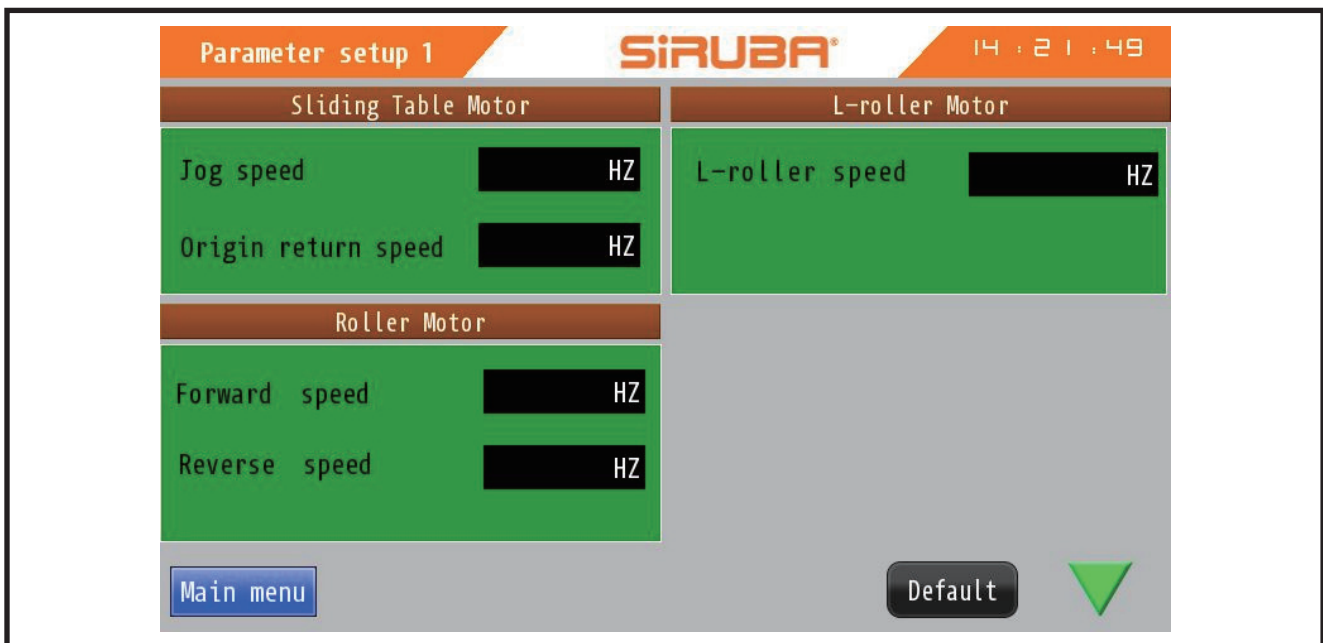
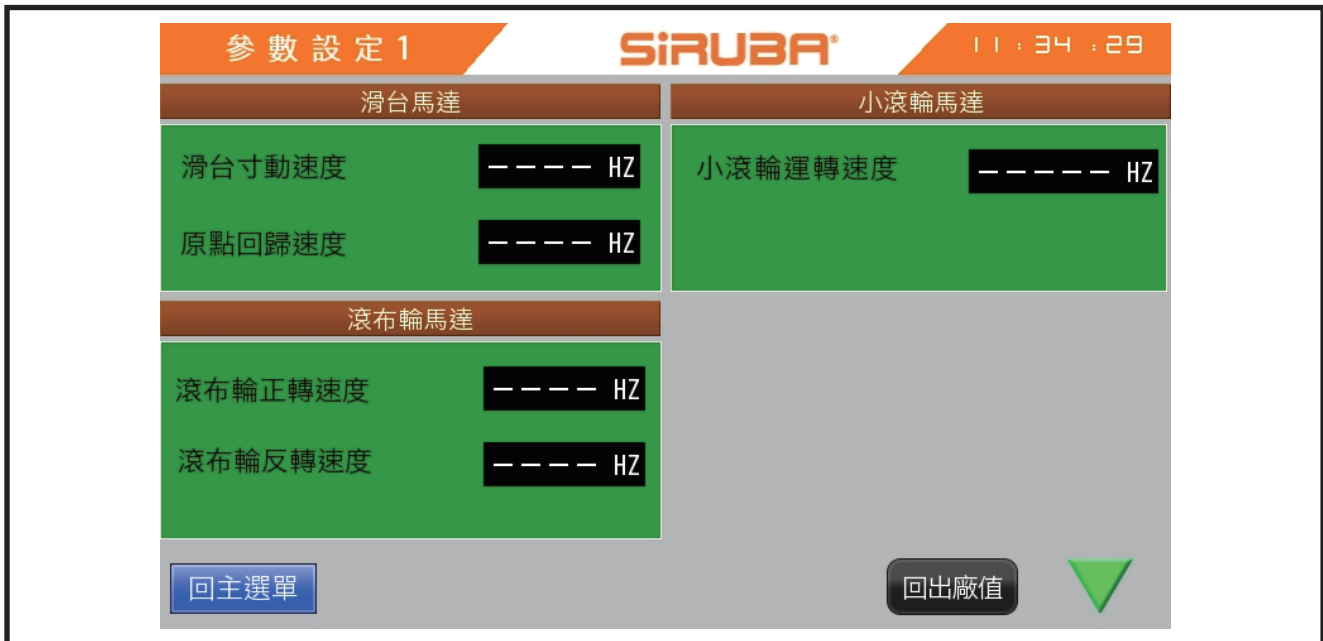
- (1) 布料圓周長顯示：顯示於試縫模式下，所調整的各參數布料圓周長。
- (2) 車縫時間顯示：顯示每次車縫的時間。
- (3) 件數計數顯示：當車縫完成一個自動循環後，將會自動加 1，直到使用者按下重置後才會清零。

When user operates under Auto, click two times to activate. Then the machine will finish stitch automatically.

- (1) Fabric perimeter: Display the fabric perimeter.
- (2) Sewing time: Display the time of sewing .
- (3) Item count: When user finish one cycle, it will count automatically and allow user to know how many piece finish. Click reset to re-counting.

H. 參數設定 1

H. Parameter setting 1



說明：進入此頁面需輸入密碼，建議進階使用者或熟悉此機台者方可進行設定。

- (1.) 滑台寸動速度：調整滑台寸動的速度。
- (2.) 原點回歸速度：調整滑台回歸原點的速度。
- (3.) 滾布輪正轉速度：滾布輪正轉速度設定。
- (4.) 滾布輪反轉速度：滾布輪反轉速度設定。
- (5.) 小滾輪運轉速度：小滾輪運轉速度設定。
- (6.) 回出廠值：回復到出廠預設值。

Recommend only advanced user or the personnel who is familiar with this machine to operate this function.

- (1.) Sliding table jog: Setting the jog speed of slide table.
- (2.) Origin return speed: Setting the speed of slide table back to original point.
- (3.) Roller fwd speed: Setting the forward speed of roller.
- (4.) Roller rev speed: Setting the reverse speed of roller.
- (5.) L-roller speed: Setting the speed of little roller.
- (6.) Default : Restore factory settings.

H. 參數設定 2

H. Parameter setting 2

參數設定 2 SIRUBA 11:36:28

系統參數設定

| | | | |
|---------|-----------|--------|---------------|
| 車縫基準時間 | ----- sec | 針距 | ----- mm |
| 接縫基準時間 | ----- sec | 車縫二段速 | ----- S. P. M |
| 小滾輪同步時間 | ----- sec | 布料基準長度 | ----- cm |
| 過骨上昇時間 | 0.00 sec | 搭縫延遲啟動 | ----- sec |
| 過骨下降時間 | 0.00 sec | 車縫針數補正 | 0 stitch |

回主選單 回出廠值

Parameter setup 2 SIRUBA 8:22:04

System setting

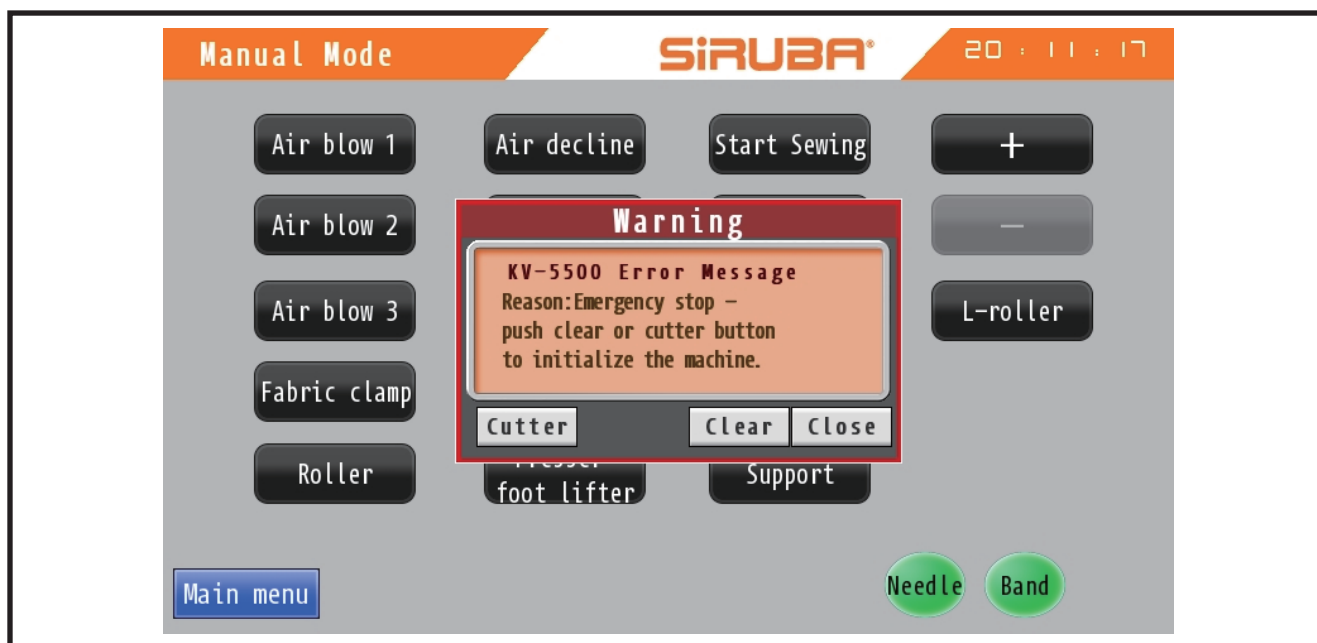
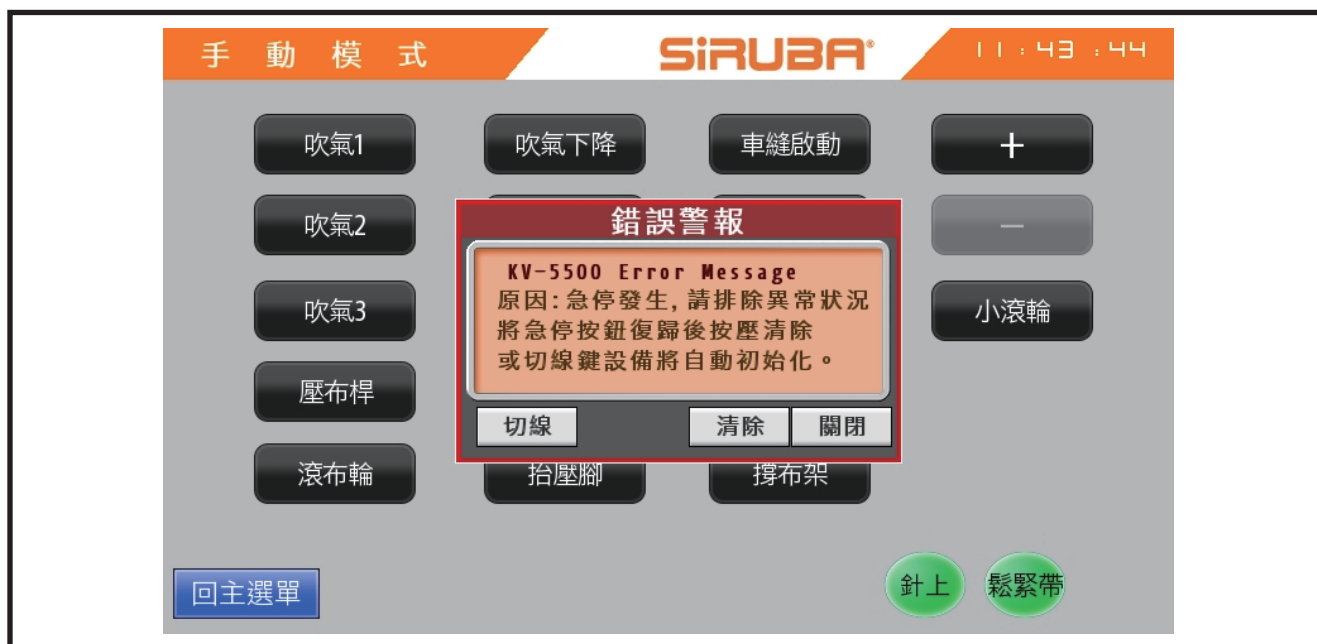
| | | | |
|------------------|-----------|-----------------|---------------|
| Sewing time | ----- sec | Needle guage | ----- mm |
| Seam time | ----- sec | Sewing speed 2 | ----- S. P. M |
| L-roller time | ----- sec | Standard length | ----- cm |
| Cross seams up | 0.00 sec | Seam delay time | ----- sec |
| Cross seams down | 0.00 sec | Stitch setting | 0 stitch |

Main menu Default

- (1) 車縫基準時間：調整總車縫時間的基準值
 - (2) 接縫基準時間：調整接縫時間的基準值
 - (3) 小滾輪同步時間：調整小滾輪的同步基準時間。
 - (4) 過骨上昇時間：調整滾布輪過骨上昇動作時間，不建議使用者變動此數值。
 - (5) 過骨下降時間：調整滾布輪過骨下降動作時間，不建議使用者變動此數值。
 - (6) 針距：輸入當前車頭調整的縫距
 - (7) 車頭速度 2：輸入當前所設定的搭縫速度。
 - (8) 布料基準長度：設定布料的基準長度值。
 - (9) 接縫延遲啟動：設定搭縫延遲啟動時間。
 - (10) 車縫針數補正：搭縫針數的補償值設定。
 - (11) 回出廠值：回復到出廠預設值。
- (1) Sewing time : Setting the basic time of sewing.
 - (2) Seam time : Setting the basic time of joint seaming.
 - (3) L-roller time : Setting the basic time of little roller.
 - (4) Cross seams up : Adjust the fabric roller cross seam up timing. We don't recommend user to adjust this parameter.
 - (5) Cross seams down : Adjust the fabric roller cross seam down timing. We don't recommend user to adjust this parameter.
 - (6) Needle guage :Input the needle guage of machine.
 - (7) Sewing speed 2 :Setting the low-speed of sewing.
 - (8) Standard length: Setting the basic length of fabric.
 - (9) Seam delay time : Setting the delay time of overlapping.
 - (10)Stitch setting : Setting the compensation value of stitch.
 - (11)Default: Restore factory settings.

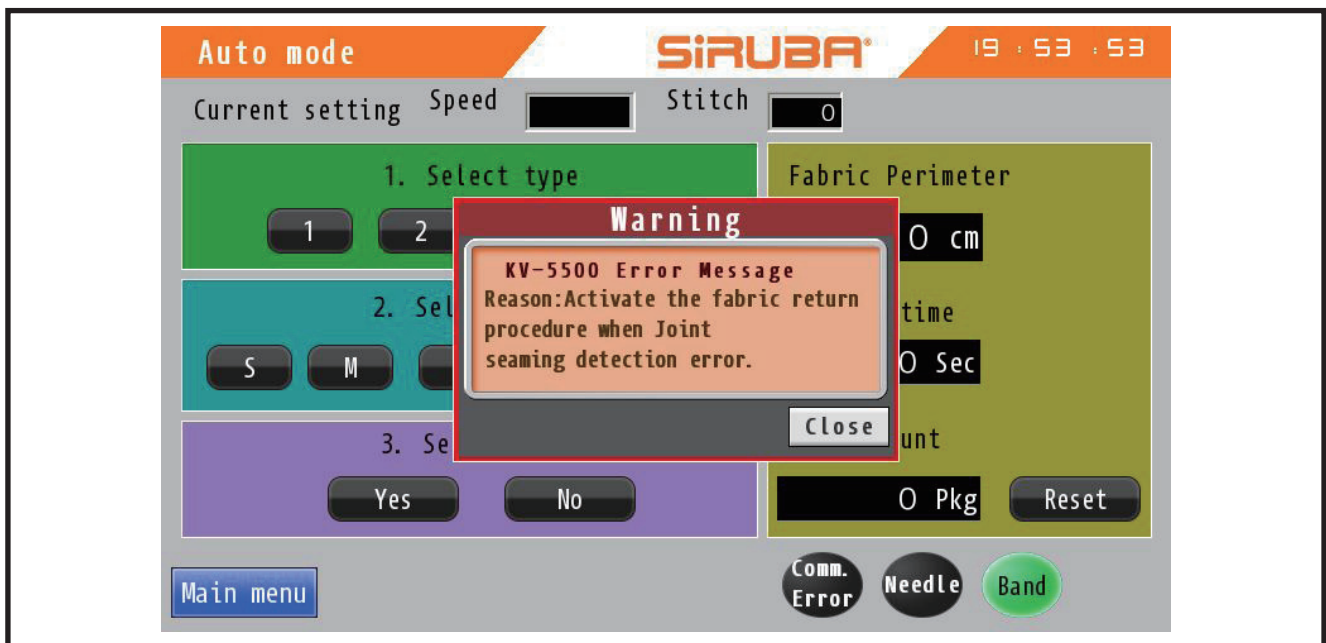
I. 警報浮動視窗說明

I. Alarm window description



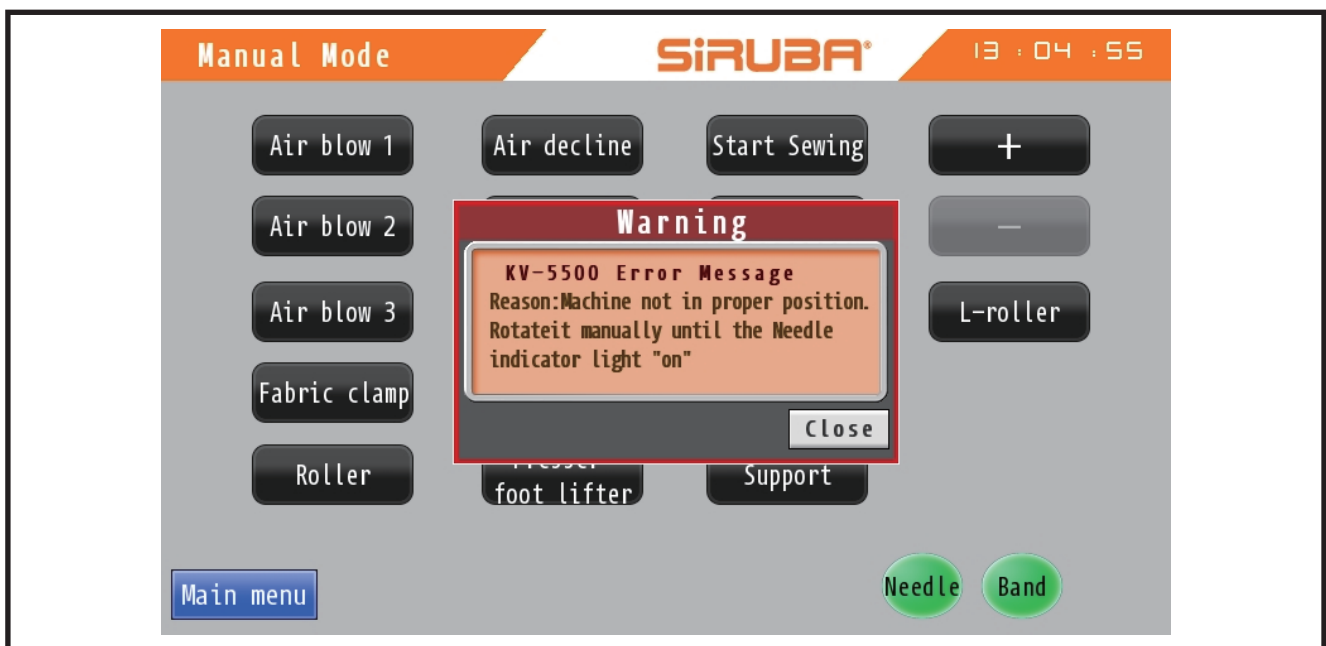
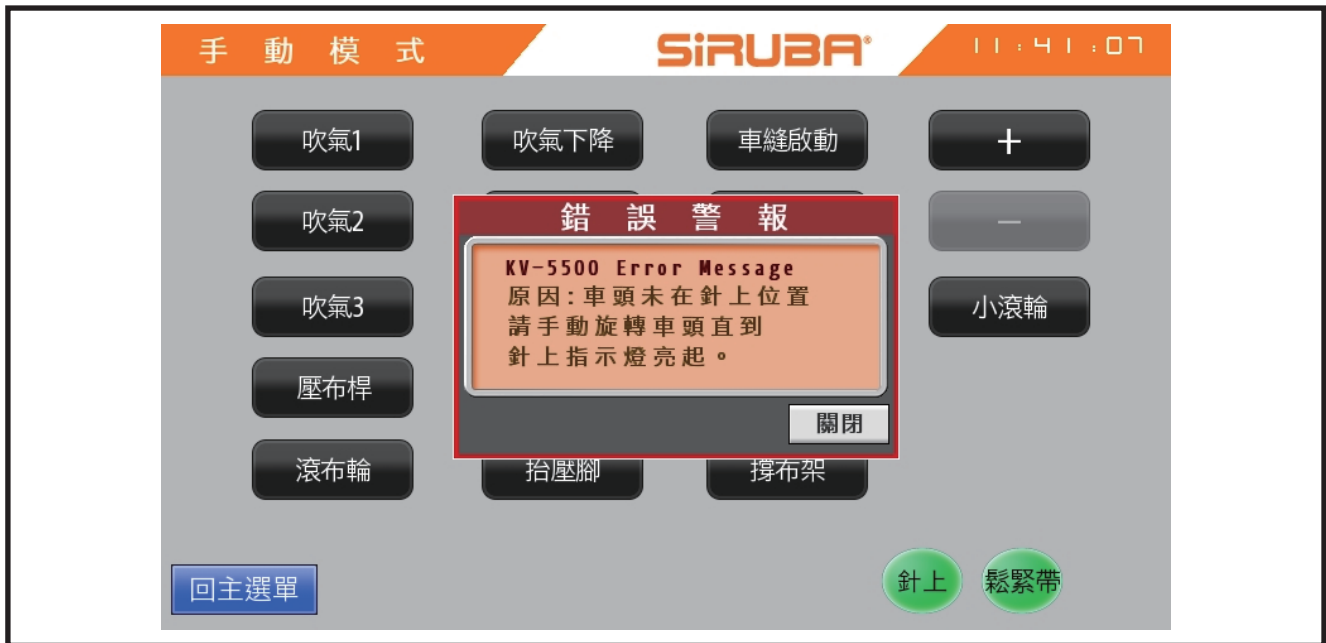
說明：當使用者按壓緊急停止按鈕時，將跳出此畫面，請依照畫面指引進行操作，先將緊急停按鈕旋轉復歸之後，再按壓清除按鈕或切線按鈕進行設備的初始化，最後再按壓關閉按鈕。

When user press emergency stop button, this window will pop up. Please operate the following instruction. After unwinding the emergency stop button, click to reset the machine. Finally click Close button.



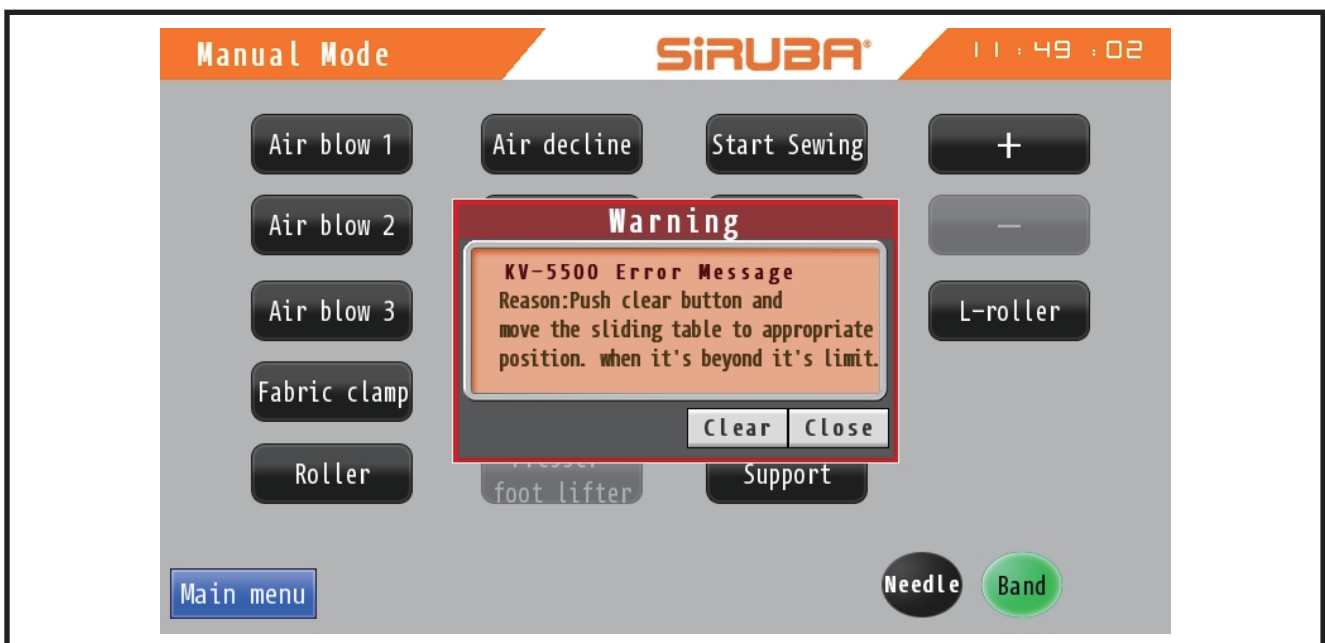
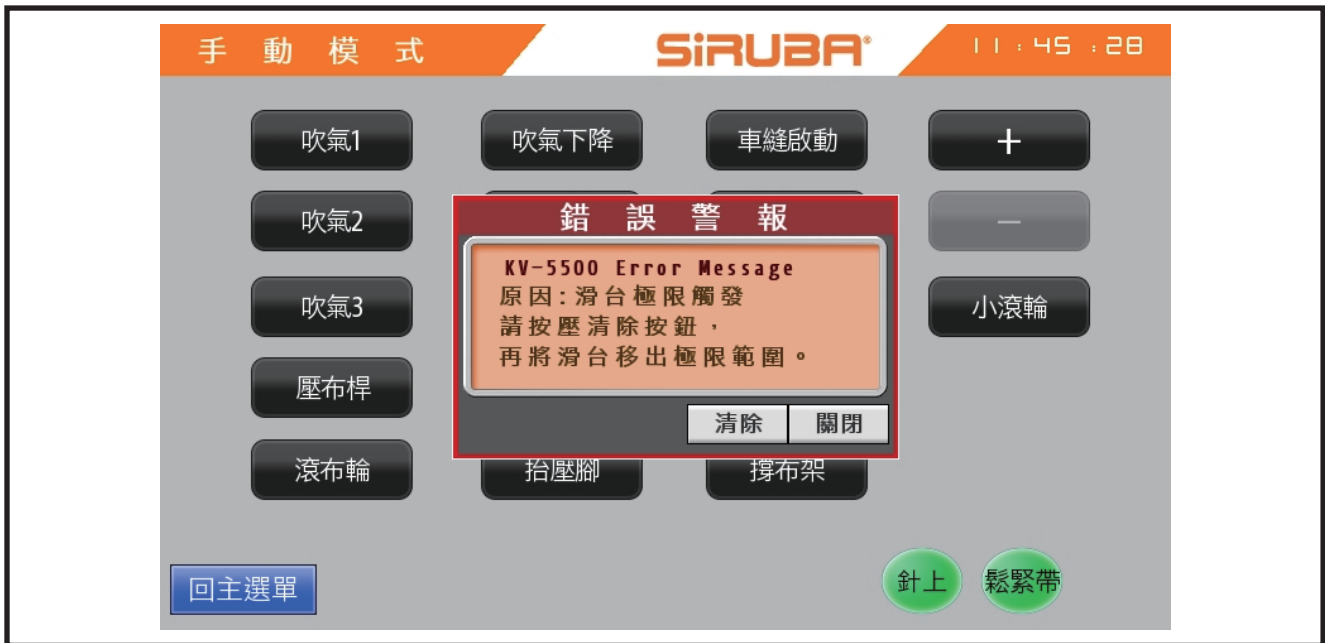
說明：在車縫過程中，當車縫過程超過正常時間，此時將自動跳出此提醒視窗，提醒使用者接縫感測開關感測異常，並會進入退布程序中。

When sewing process over normal time during operation, this window will pop up automatically to notice user if the cross seam sensor failure and run ejecting fabric process.



說明：當設備初始送電時，將跳出此提醒視窗，請使用者手動旋轉車頭直到針上位置指示燈亮起，再按壓關閉按鈕。

This window will pop up when the machine turns on. User have to turn the machine head until needle up position light on before click "Close" button.



說明：當使用者操作滑台時移動到左極限感測開關或者右極限感測開關的位置，將跳出此異常視窗，請依照指示進行操作，先按壓清除鍵將滑台移出極限位置之後，再按壓關閉按鈕。

When user operates the slide platform to left or right boundary sensor, this window will pop up. Please follow the instruction to operate. Click "Clear" button first. After move the slide platform out of boundary limit, click "Close" button.



說明：自動模式底下，於車縫 動前會先偵測使用者有無按下確認按鈕。

Under the auto mode, it will be detected before sewing start whether or not the user presses the "Yes" button.

J. 主選單快捷視窗

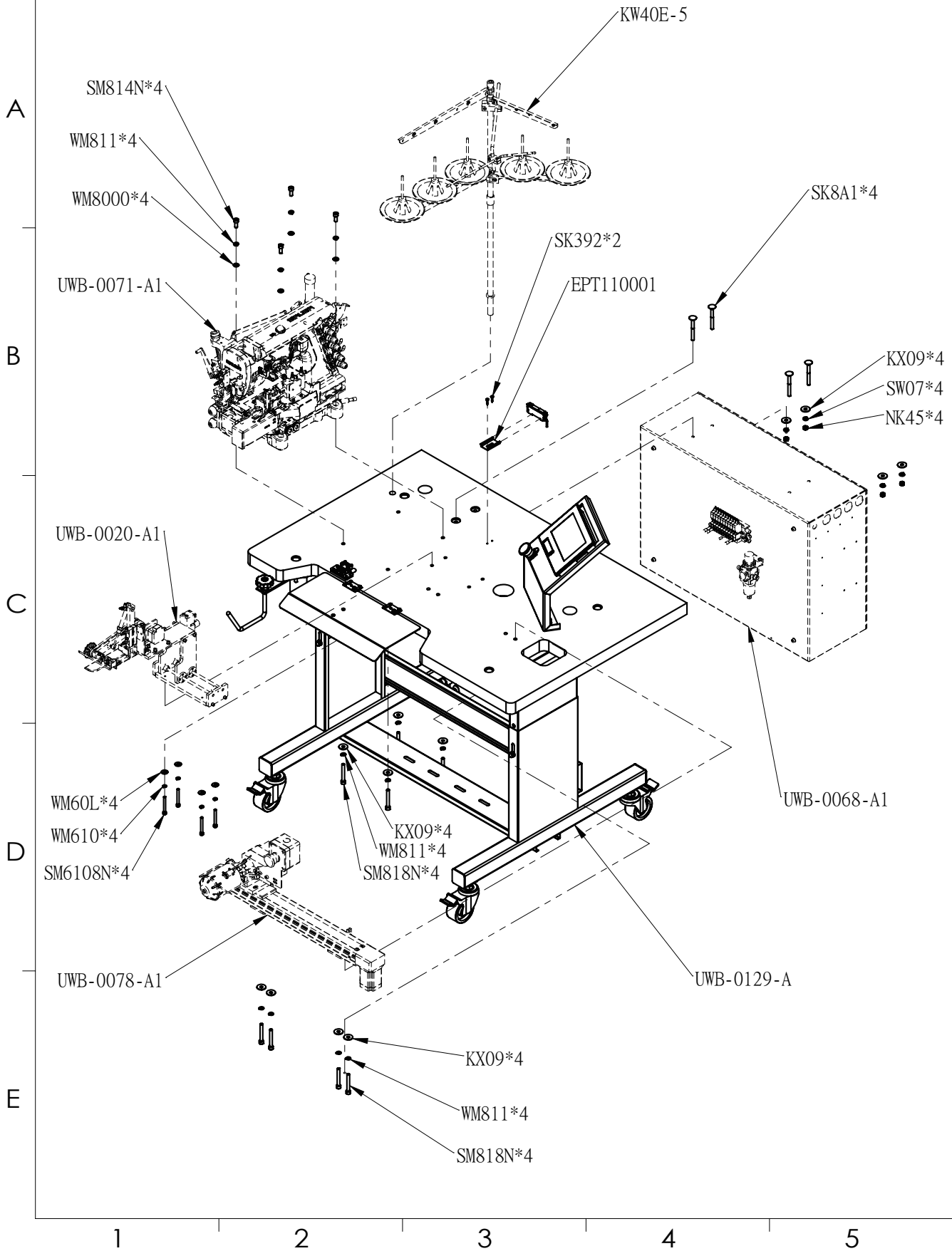
J. Shortcut window



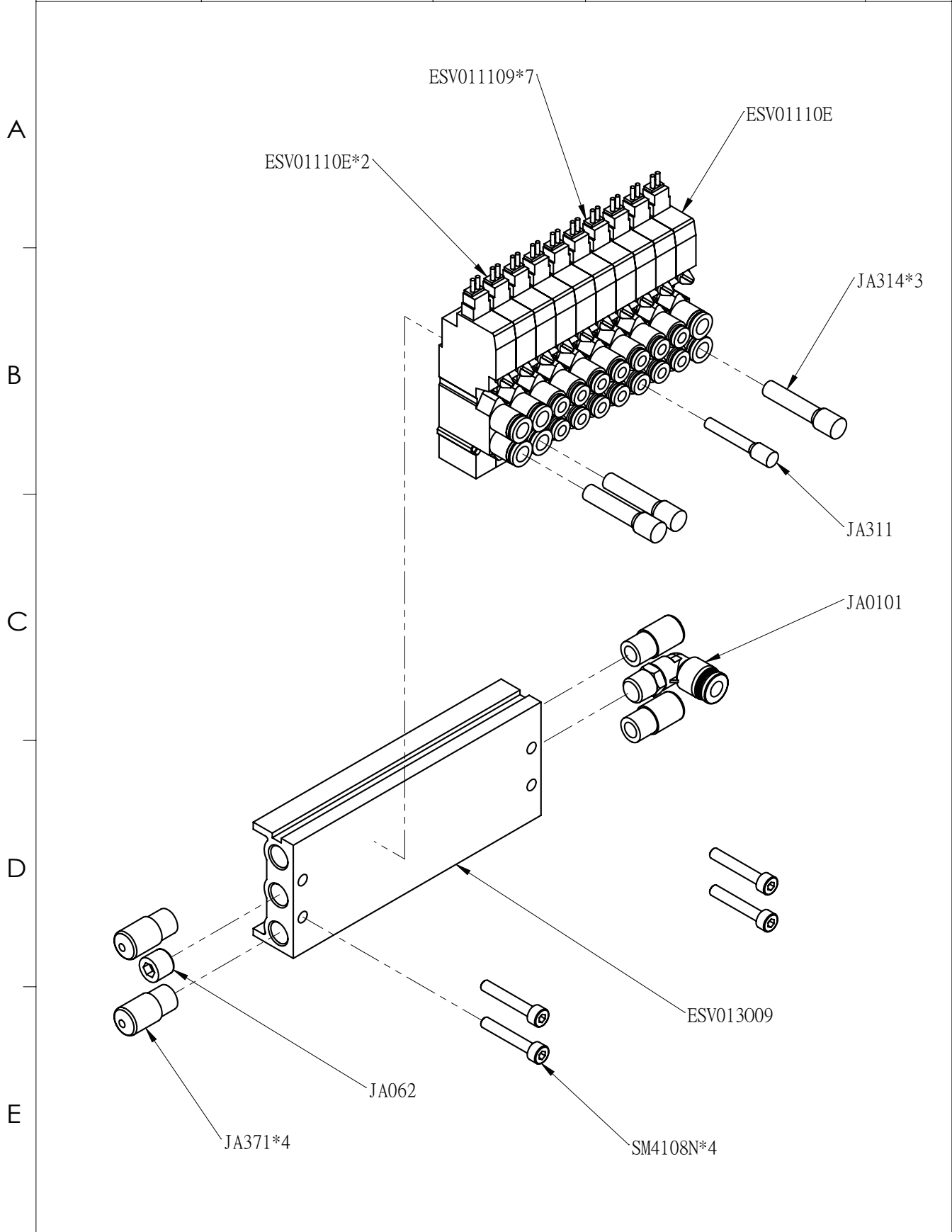
說明：當使用者按壓左下角的主選單快捷視窗出現此畫面，供使用者快速切換操作模式與回到首頁的功能。

When user click "Main menu", the screen will move to this page. This allows user to switch mode and back to main page.

| | | | | |
|-----------------------------|-------------|-------------|-----------------|-------|
| SIRUBA PARTS LIST | Series | Parts Group | Subclass Remark | Page |
| | ASC-UWB100M | ASC-UWB100M | ASC-04 | 1 / 1 |
| | | | | Date |



| | | | | |
|---------------------------------|-------------|--------------|-----------------|-------|
| SIRUBA PARTS LIST | Series | Parts Group | Subclass Remark | Page |
| | ASC-UWB100M | ESV013009-A1 | ASC-04 | 1 / 1 |
| | | | | Date |



| | | | | |
|-----------------------------|-------------|-------------|-----------------|-------|
| SIRUBA PARTS LIST | Series | Parts Group | Subclass Remark | Page |
| | ASC-UWB100M | UWB-0008-A1 | ASC-04 | 1 / 1 |
| | | | | Date |

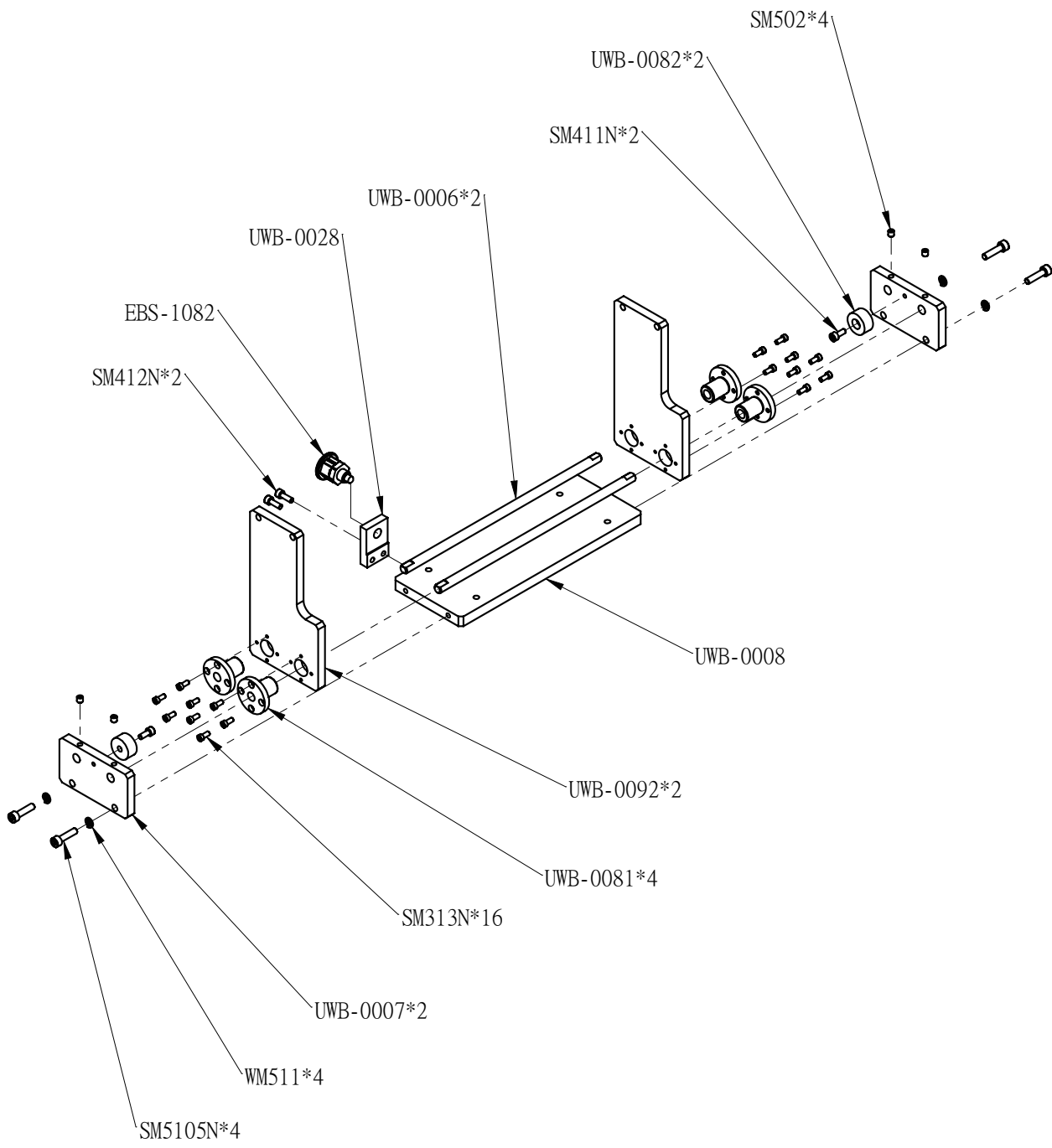
A

B

C

D

E



1 2 3 4 5

| | | | | |
|---------------------------------|-------------|-------------|-----------------|-------|
| SIRUBA PARTS LIST | Series | Parts Group | Subclass Remark | Page |
| | ASC-UWB100M | UWB-0010-A1 | ASC-04 | 1 / 1 |
| | | | | Date |

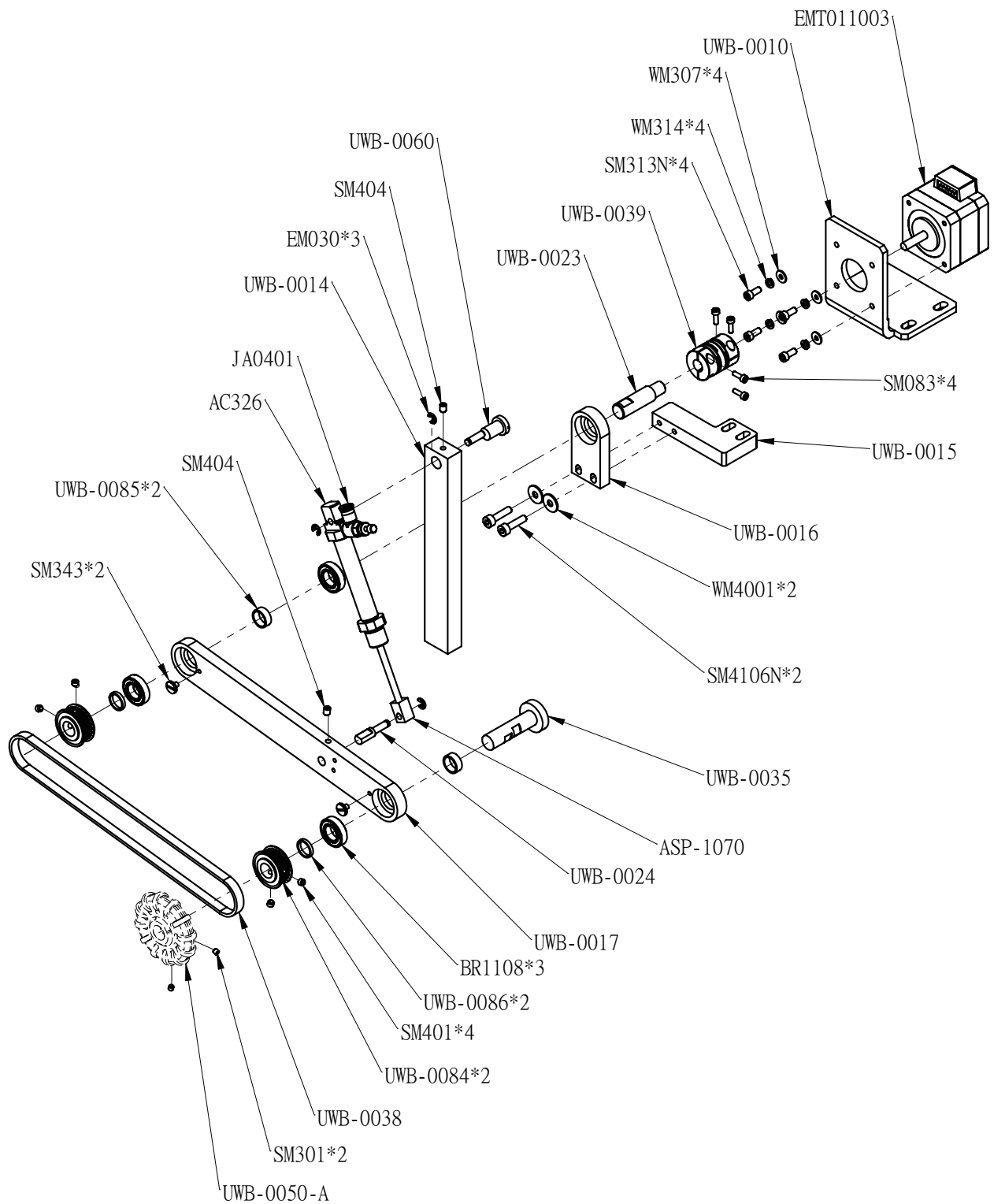
A

B

C

D

E



1

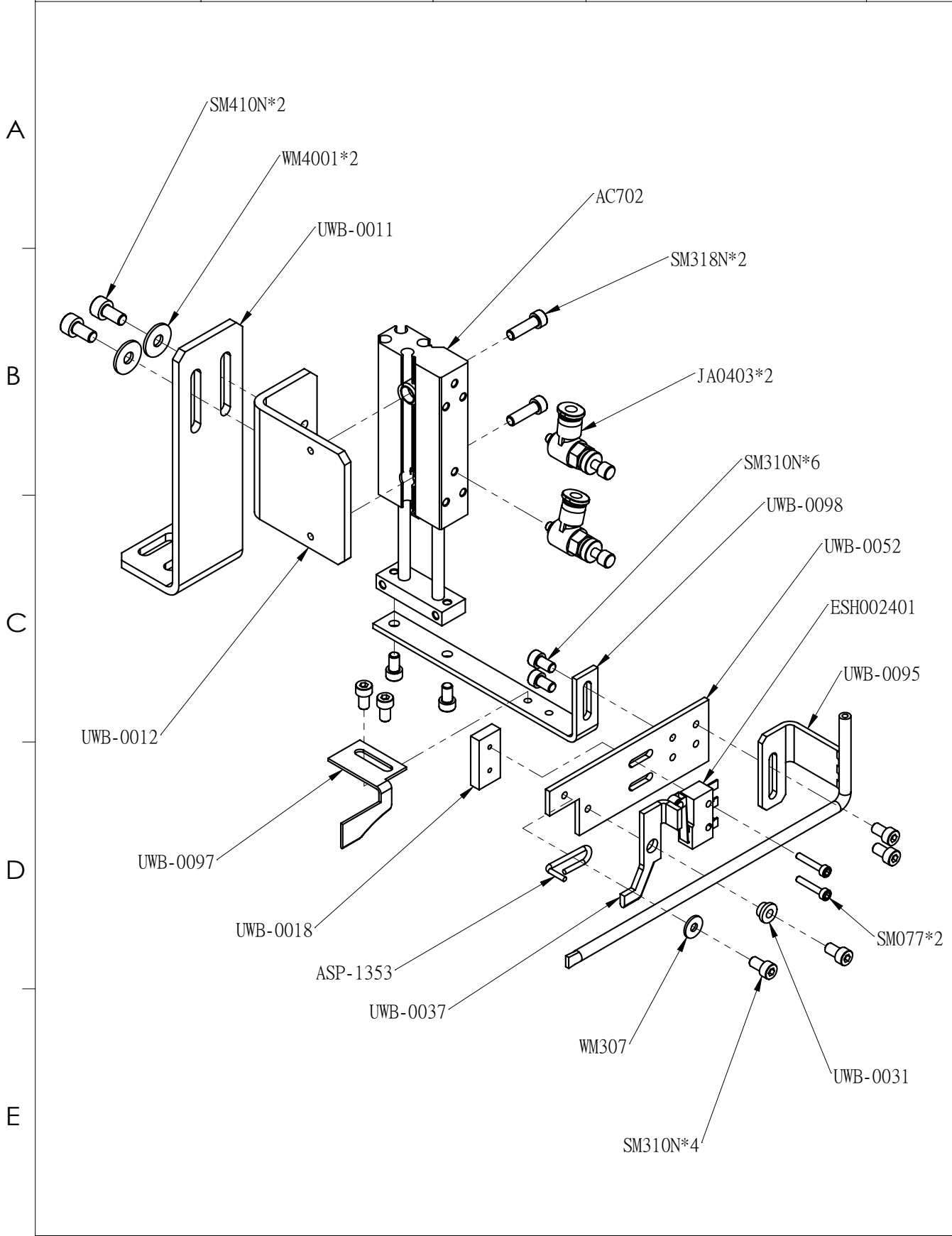
2

3

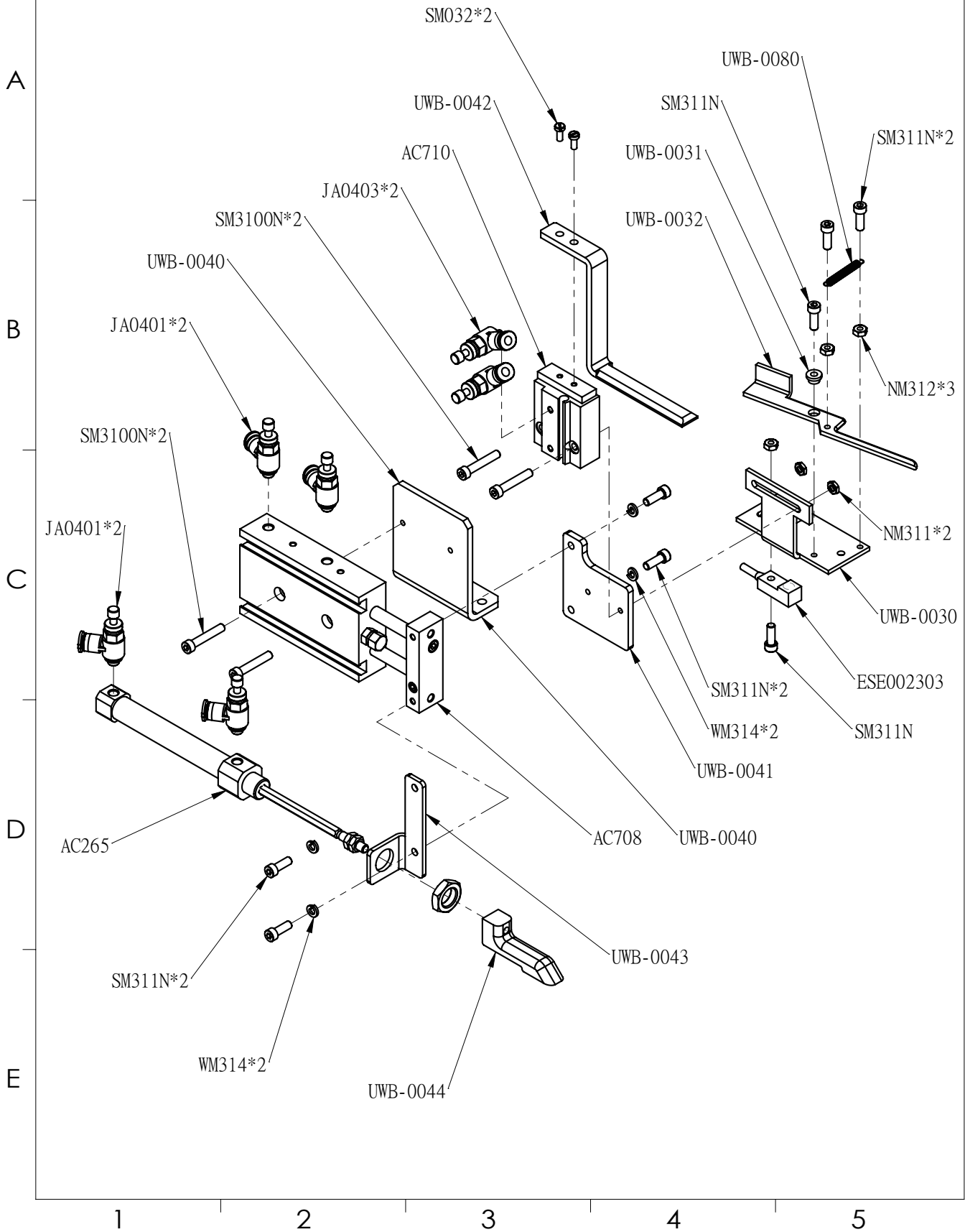
4

5

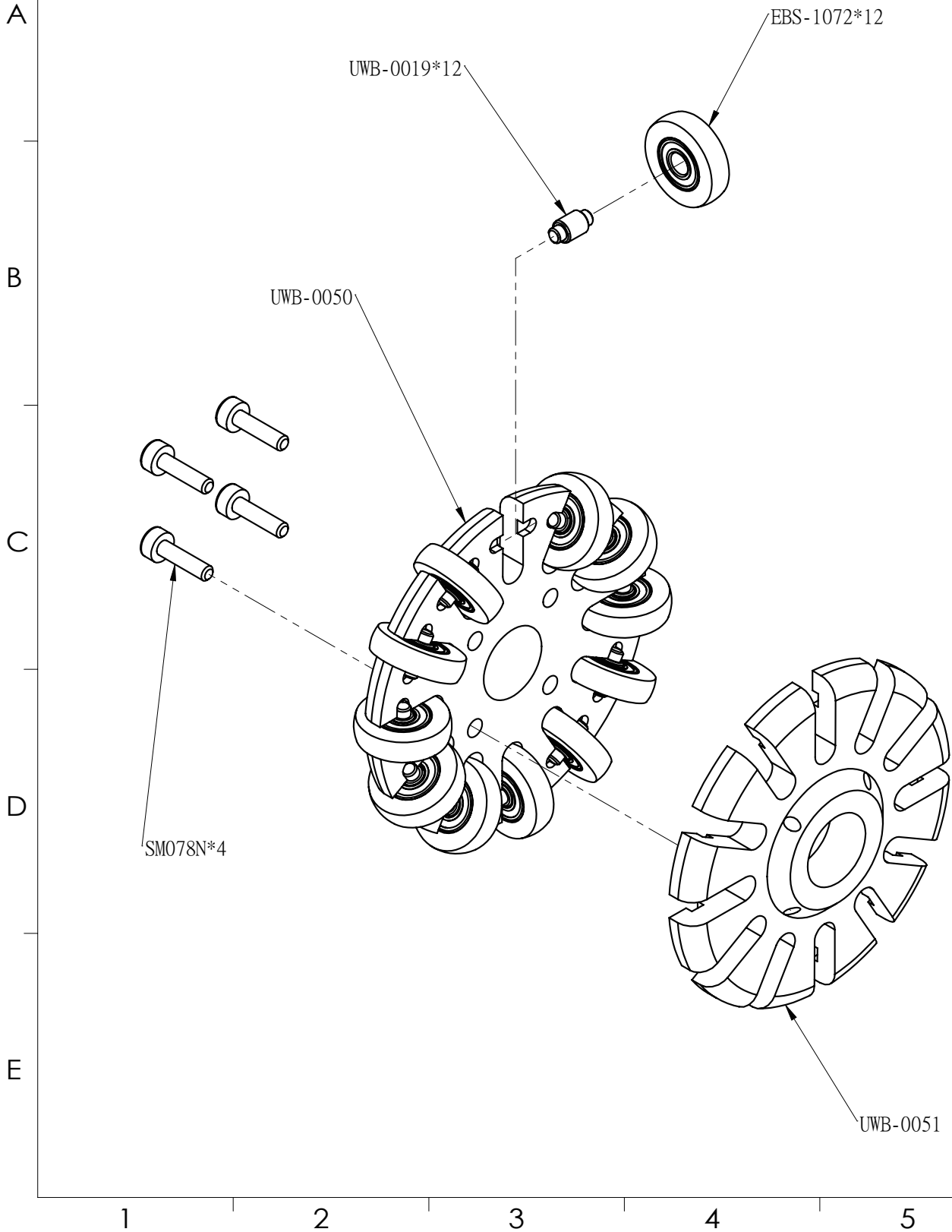
| | | | | |
|-----------------------------|-------------|-------------|-----------------|-------|
| SIRUBA PARTS LIST | Series | Parts Group | Subclass Remark | Page |
| | ASC-UWB100M | UWB-0011-A1 | ASC-04 | 1 / 1 |
| | | | | Date |



| | | | | |
|-----------------------------|------------|-------------|-----------------|-------|
| SIRUBA PARTS LIST | Series | Parts Group | Subclass Remark | Page |
| | ASC-UWB100 | UWB-0040-A | ASC-01 | 1 / 1 |
| | | | | Date |

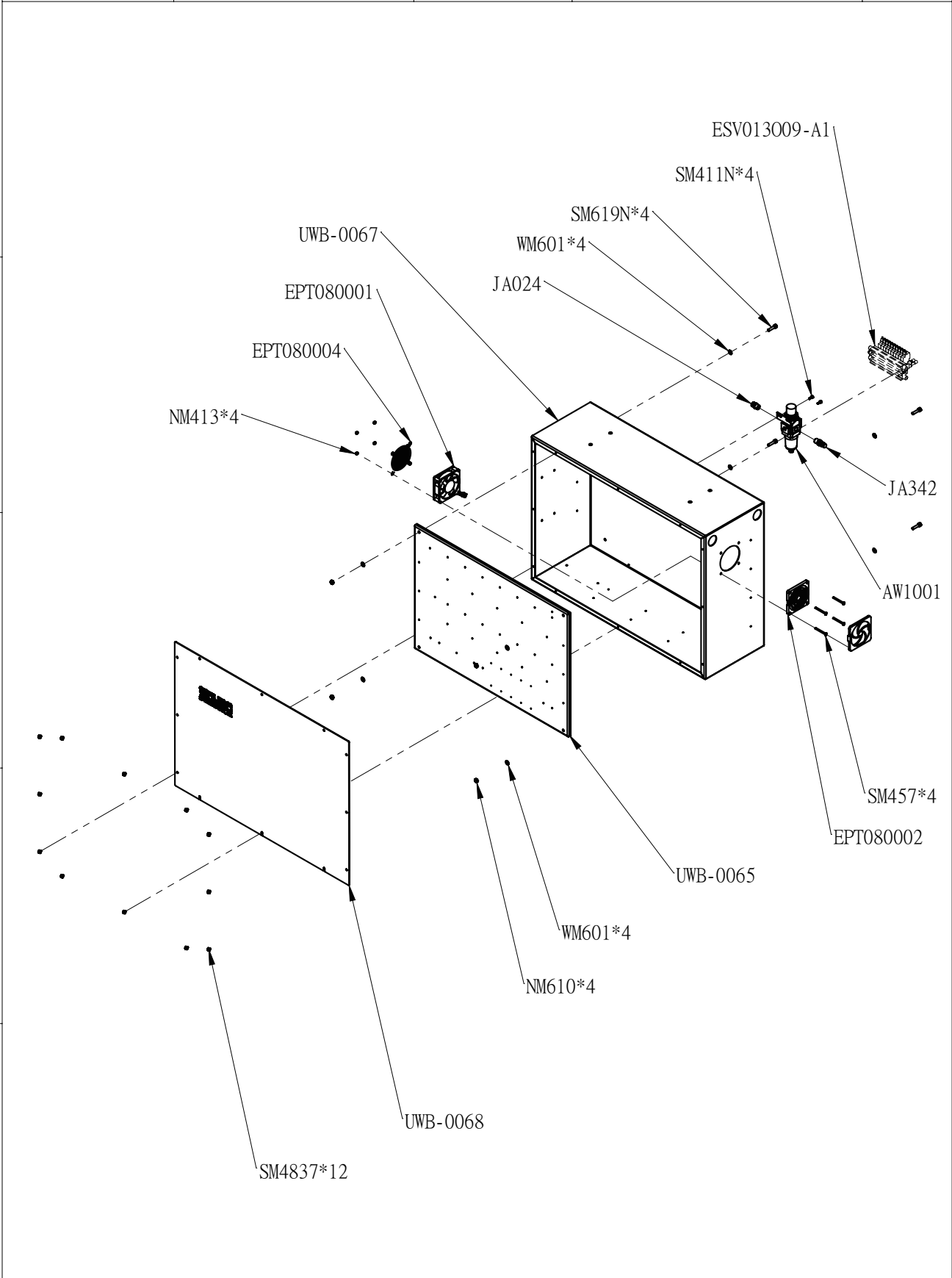


| | | | | |
|-----------------------------|------------|-------------|-----------------|-------|
| SIRUBA PARTS LIST | Series | Parts Group | Subclass Remark | Page |
| | ASC-UWB100 | UWB-0050-A | ASC-01 | 1 / 1 |
| | | | | Date |



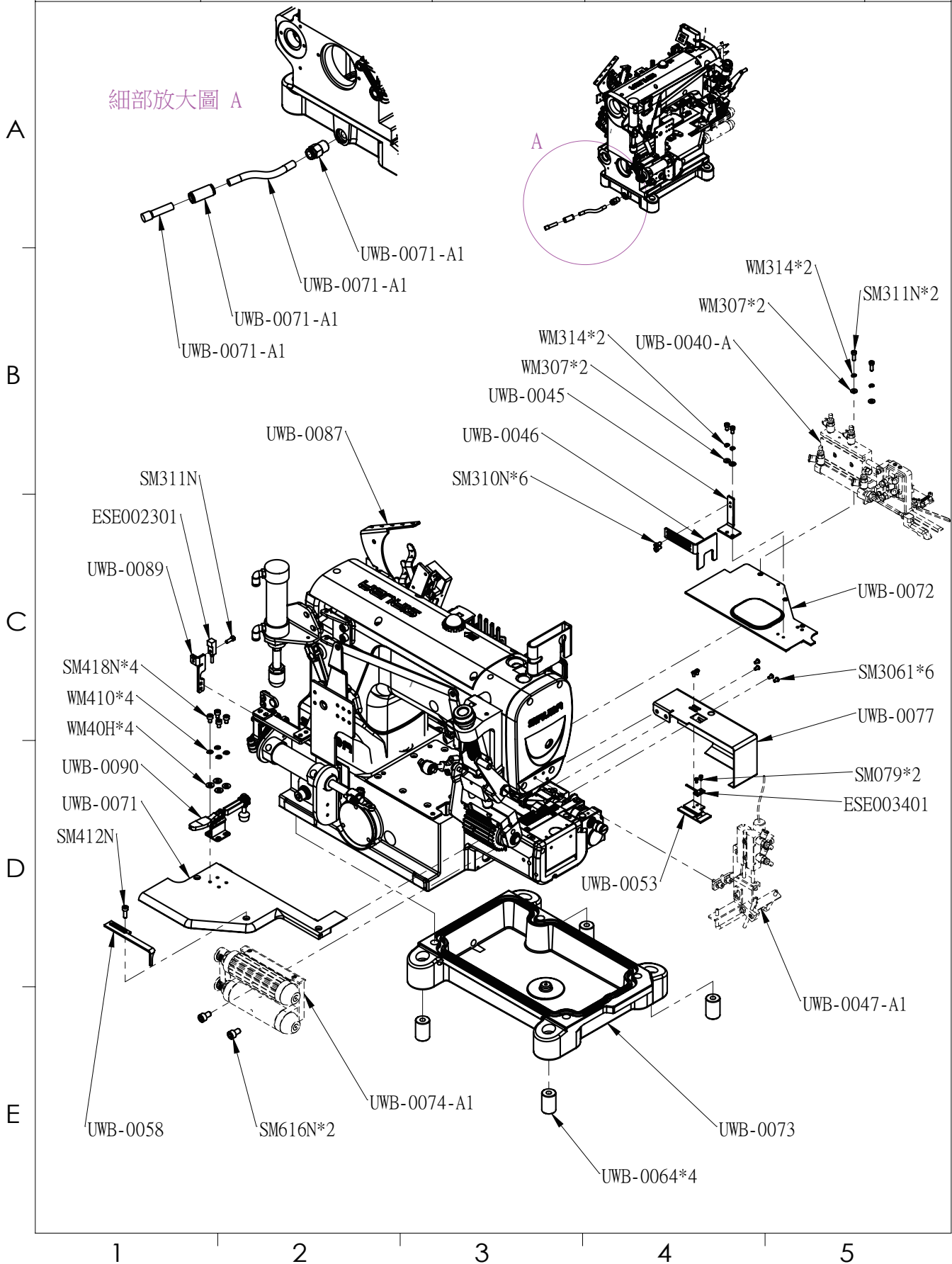
| | | | | |
|-----------------------------|-------------|-------------|-----------------|-------|
| SIRUBA PARTS LIST | Series | Parts Group | Subclass Remark | Page |
| | ASC-UWB100M | UWB-0068-A1 | ASC-04 | 1 / 1 |
| | | | | Date |

A
B
C
D
E



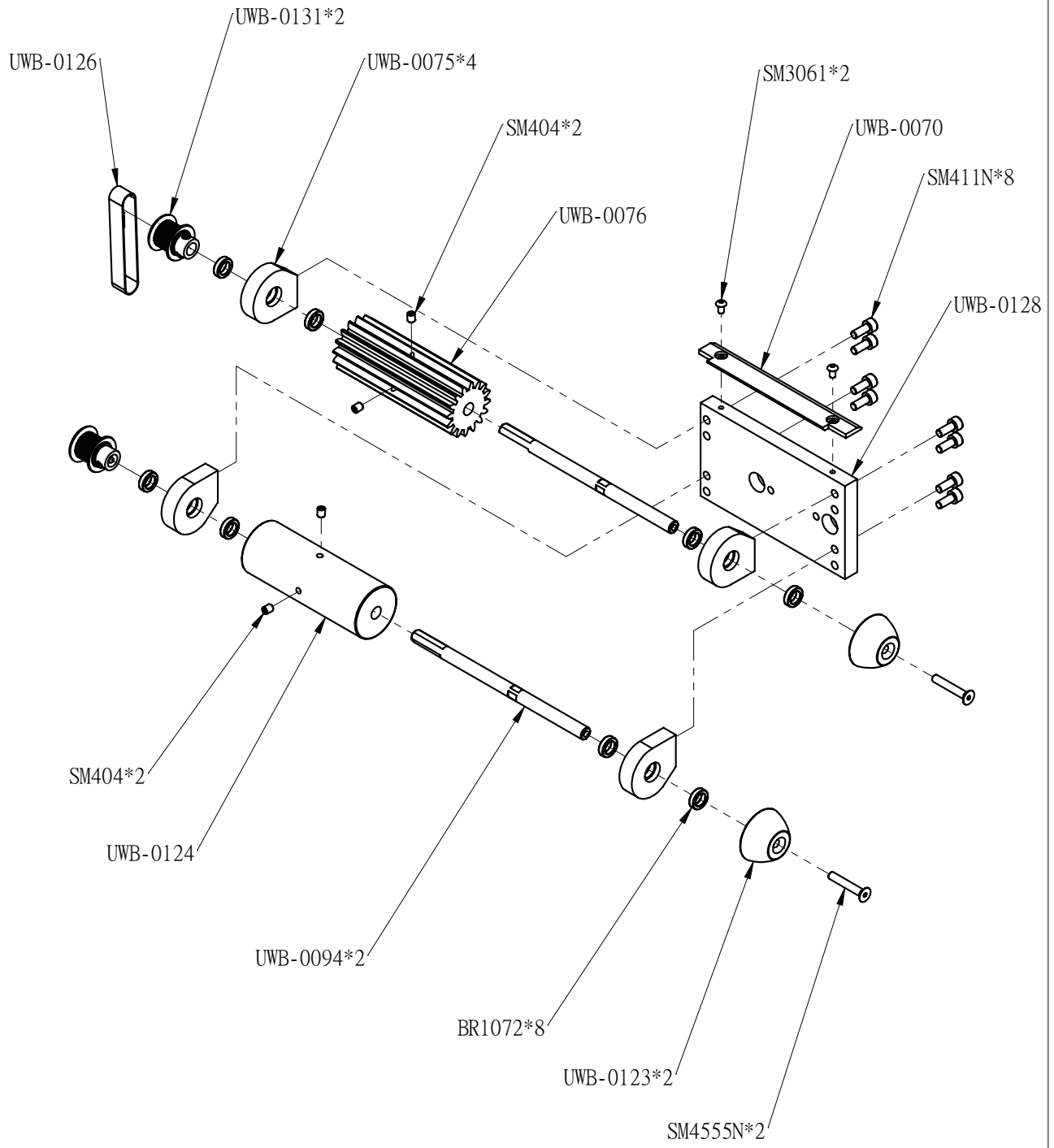
1 2 3 4 5

| | | | | |
|-----------------------------|-------------|-------------|-----------------|-------|
| SIRUBA PARTS LIST | Series | Parts Group | Subclass Remark | Page |
| | ASC-UWB100M | UWB-0071-A1 | ASC-04 | 1 / 1 |
| | | | | Date |



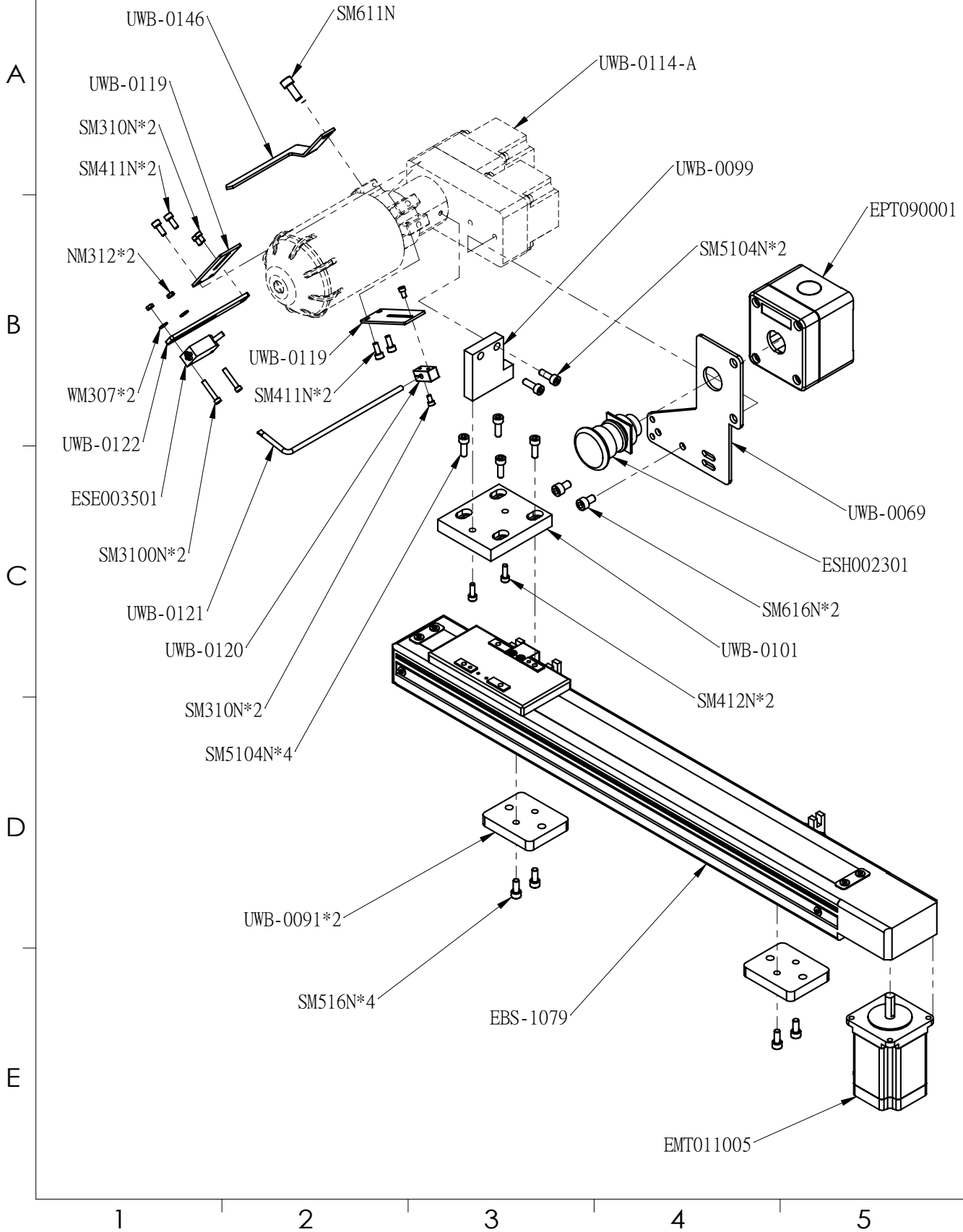
| | | | | |
|---------------------------------|-------------|-------------|-----------------|-------|
| SIRUBA PARTS LIST | Series | Parts Group | Subclass Remark | Page |
| | ASC-UWB100M | UWB-0074-A1 | ASC-04 | 1 / 1 |
| | | | | Date |

A
B
C
D
E

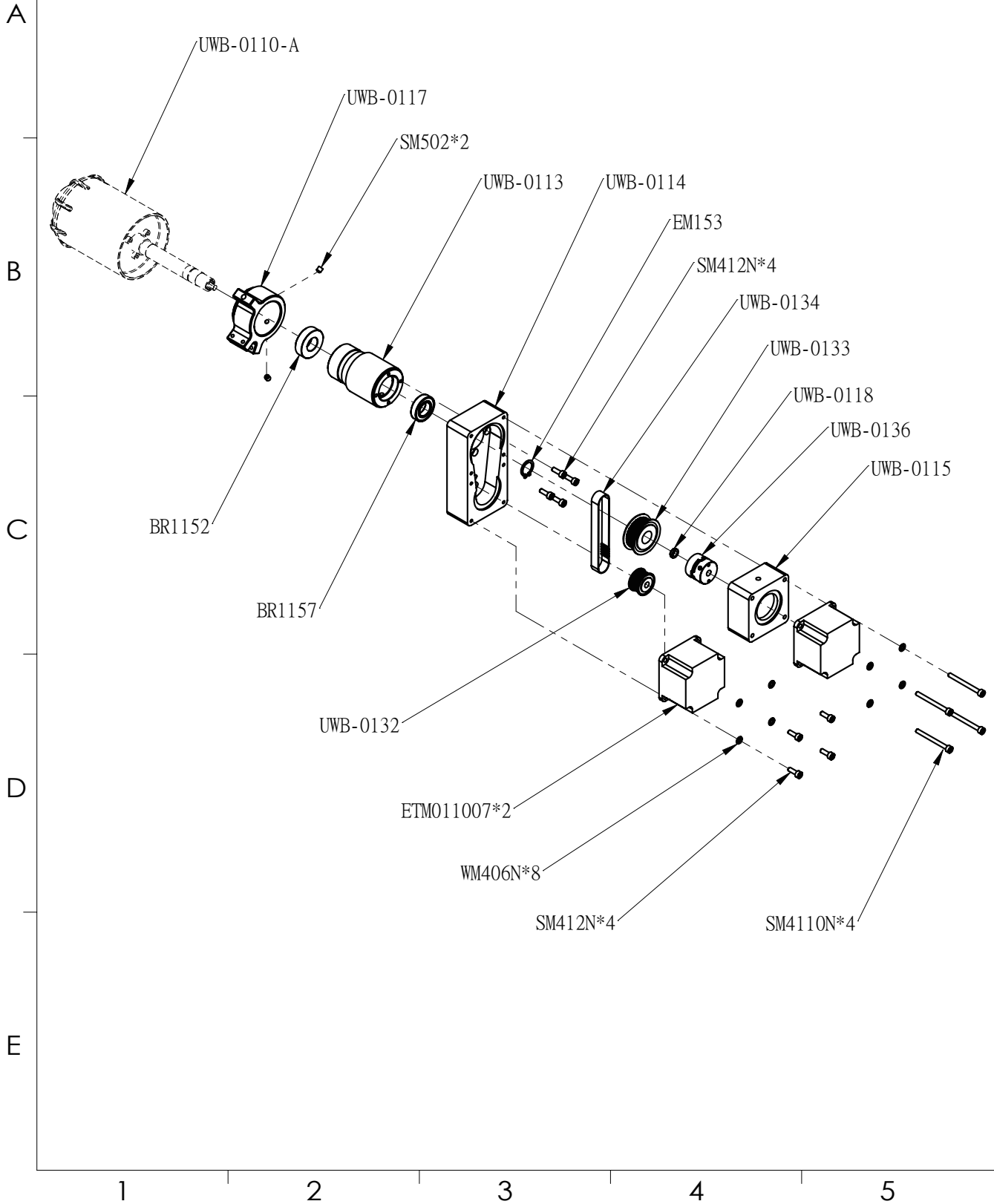


1 2 3 4 5

| | | | | |
|-----------------------------|-------------|-------------|-----------------|-------|
| SIRUBA PARTS LIST | Series | Parts Group | Subclass Remark | Page |
| | ASC-UWB100M | UWB-0078-A1 | ASC-04 | 1 / 1 |
| | | | | Date |



| | | | | |
|-----------------------------|-------------|-------------|-----------------|-------|
| SIRUBA PARTS LIST | Series | Parts Group | Subclass Remark | Page |
| | ASC-UWB100M | UWB-0114-A | ASC-04 | 1 / 1 |
| | | | | Date |



| | | | | |
|-----------------------------|-------------|-------------|-----------------|-------|
| SIRUBA PARTS LIST | Series | Parts Group | Subclass Remark | Page |
| | ASC-UWB100M | UWB-0125-A | ASC-04 | 1 / 1 |
| | | | | Date |

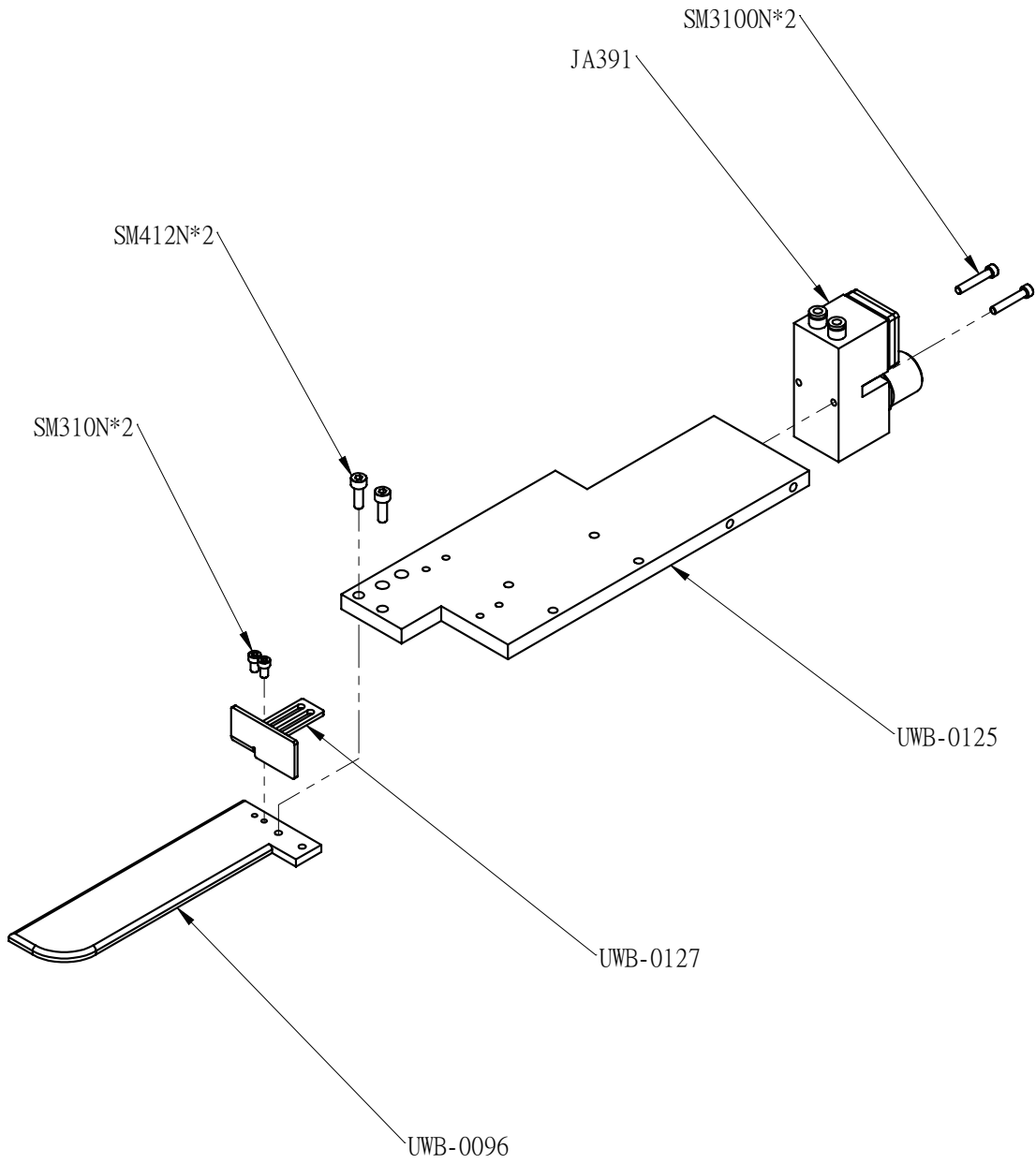
A

B

C

D

E



1

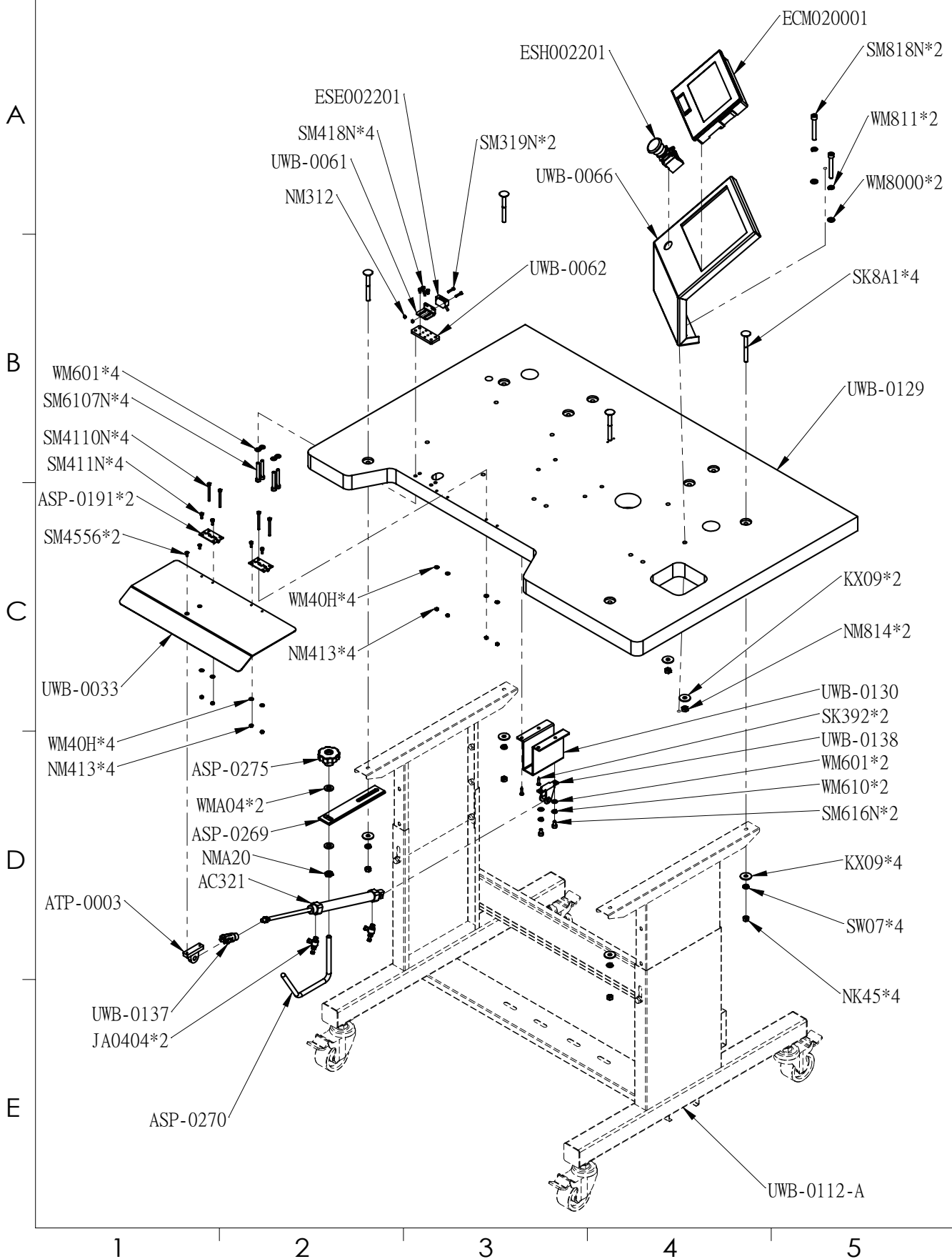
2

3

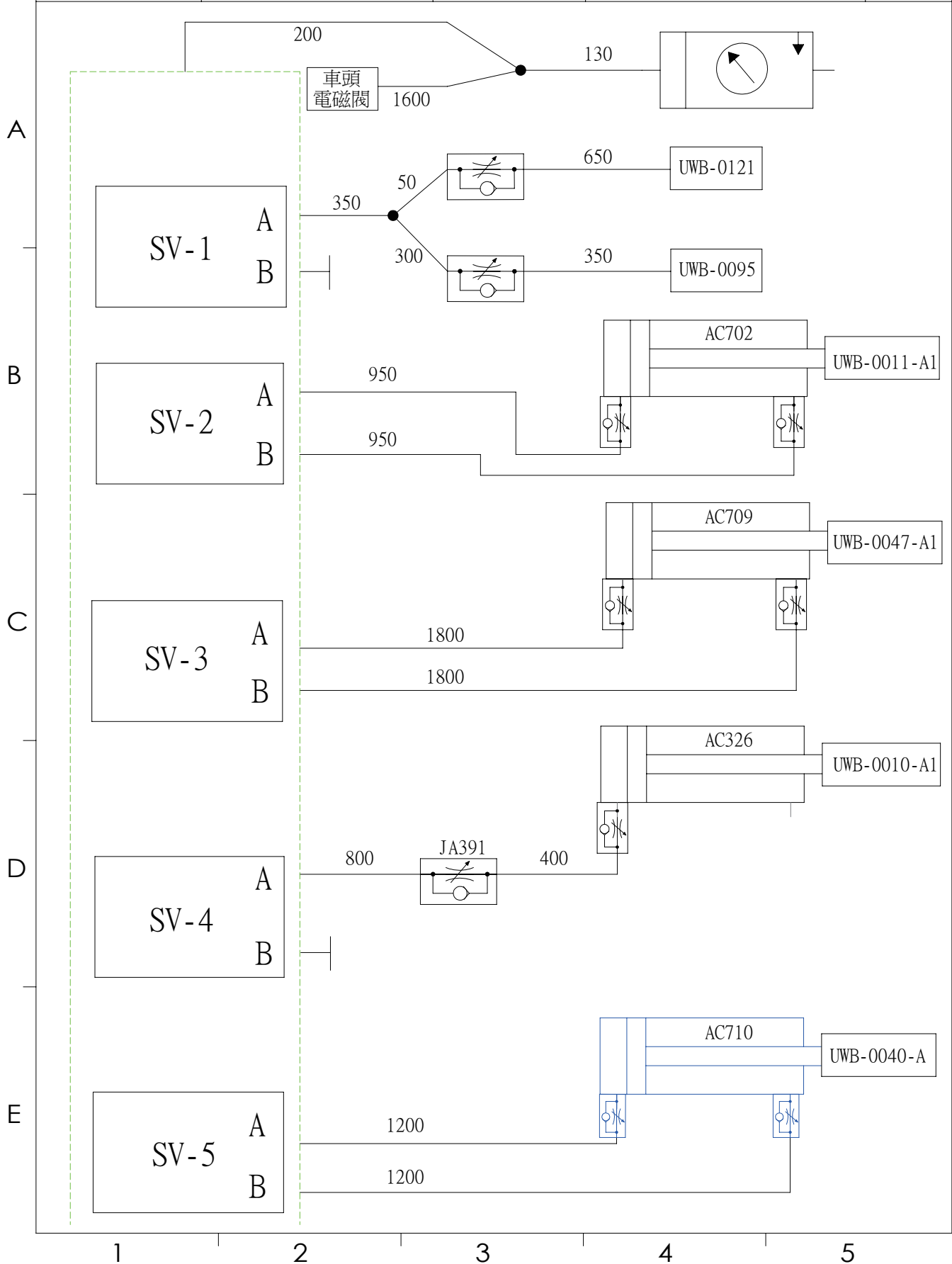
4

5

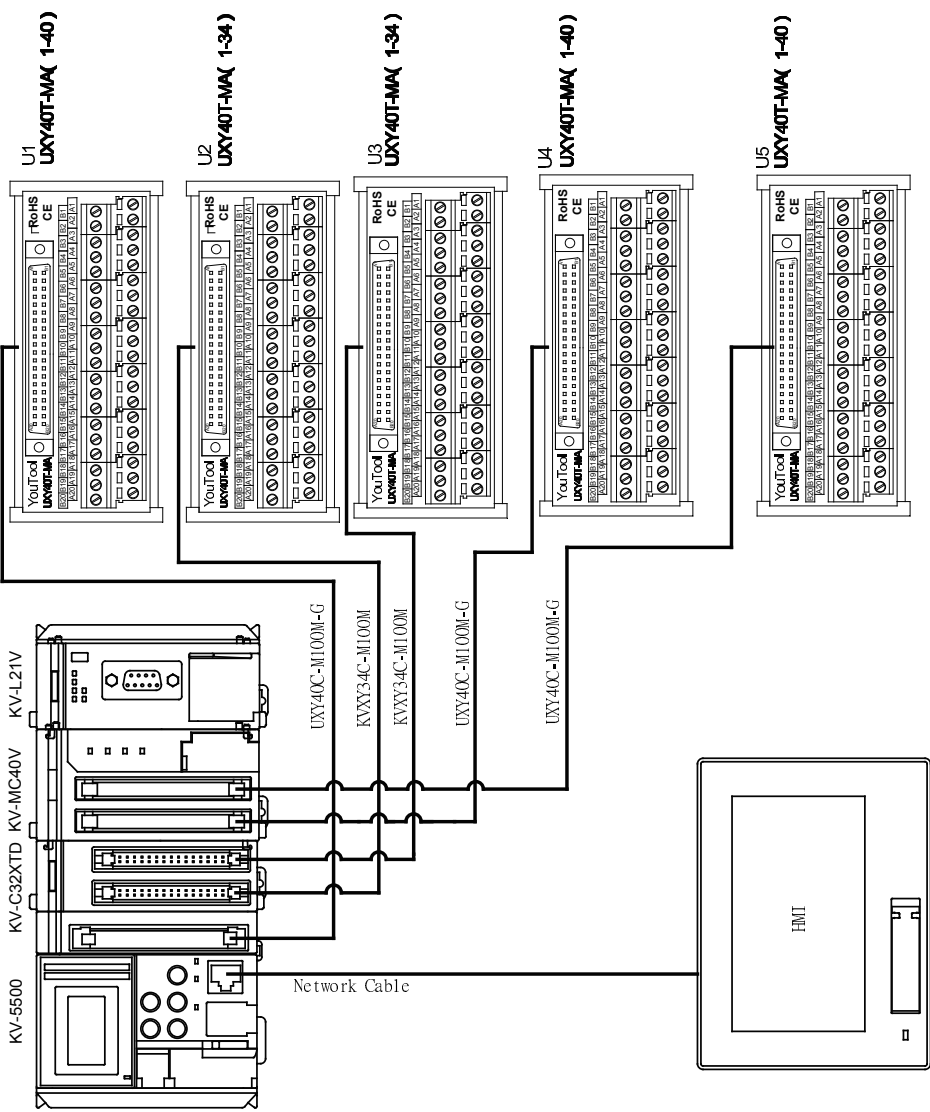
| | | | | |
|-----------------------------|-------------|-------------|-----------------|-------|
| SIRUBA PARTS LIST | Series | Parts Group | Subclass Remark | Page |
| | ASC-UWB100M | UWB-0129-A | ASC-04 | 1 / 1 |
| | | | | Date |



| | | | | |
|-----------------------------|------------|-------------|-----------------|-------|
| SIRUBA PARTS LIST | Series | Parts Group | Subclass Remark | Page |
| | ASC-UWB100 | 氣壓 流程圖 | ASC-04 | 1 / 2 |
| | | | | Date |



▽



| | | | | |
|---------------|----------------|-------------|----------|--------------------------|
| 熱處理: 依廠商規定 | 表面處理: | 第三角法 | 單位: mm | 電控箱 |
| 硬度: 依廠商規定 | 沖壓 | 重量: | 比例: | Control Box |
| 硬層深度: 依廠商規定 | 鍛造 | 責任者 | 年 月 日 | 架構圖 |
| 尺寸區分mm | 加工區分 (車, 銑, 鑽) | 圖 | 校對 | 圖 號 |
| 0.5以上6以下 | ±0.1 | ±0.4 | ±0.2 | UWB-0600-A(P3) |
| 6以上30以下 | ±0.2 | ±0.3 | ±0.5 | 0 |
| 30以上120以下 | ±0.3 | ±0.5 | ±0.7 | 1/100 |
| 120以上315以下 | ±0.5 | ±0.6 | ±1.0 | 0.2/100 |
| 315以上1000以下 | ±0.8 | ±1.1 | ±1.5 | 0.2/100 |
| 1000以上 | ±1.2 | ±1.8 | — | 0.2/100 |
| 初剛加工物狀・位置精度 | 公差 | 1/4 | 角度公差±2° | 註: 成品需符合歐盟RoHS危害物質限制指令規範 |
| 表面粗糙度之範圍 (Ra) | ▽▽▽▽ 0.2 | ▽▽▽ 0.2-1.6 | ▽▽ 2-6.3 | ▽ 8-25 |

| | |
|--------|----|
| 更改內容 | 9 |
| 高林關係企業 | 10 |

PLC架構示意圖

▽

※請將馬達驅動器上的指撥和旋鈕依下表調整

| Driver1 | | | | | |
|---------|-----|-----|----|------|-----|
| 指撥開關 | | | | 旋鈕開關 | |
| 1 | 2 | 3 | 4 | 5 | 6 |
| OFF | ON | OFF | ON | OFF | OFF |
| 2 | 3 | 4 | 5 | 6 | C |
| STEP | RUN | | | | |

※馬達接線方法如下

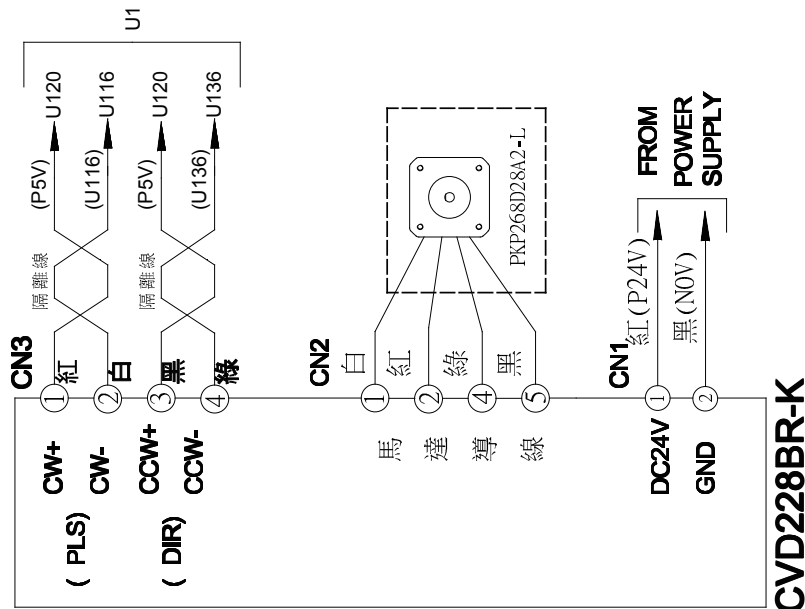


| No. | A端 | | B端 | | Driver CN2 |
|-----|----|----|----|----|------------|
| | 標示 | 線色 | 標示 | 線色 | |
| 1 | 1 | 藍 | 1 | 白 | 1 綠色 |
| 2 | 2 | 紅 | 2 | 紅 | 2 白 |
| 3 | 3 | 綠 | 3 | 綠 | 3 紅 |
| 4 | 4 | 黑 | 4 | 黑 | 4 綠 |
| | | | | | 5 黑 |

※CN1 線使用#20X1C

※CN2 線使用#20X4C

※CN3 線使用#24X4C雙絞雙隔離線



CVD228BR-K

| 更改內容 | | 高林關係企業 | |
|--------------|------------------------------------|--------------------------|----------------|
| 熱處理: 依廠商規定 | 表面處理: | 中文名 | 電控箱 |
| 硬度: 依廠商規定 | 沖壓 | 英文名 | Control Box |
| 硬度層深度: 依廠商規定 | 鑄造 | 品名 | |
| 尺寸區分mm | 加工 (車, 銼, 鑽) | 材質 | |
| 0.5以上6以下 | ±0.1 ±0.2 ±0.3 ±0.4 ±0.5 | 繪圖 | |
| 6以上30以下 | ±0.2 ±0.3 ±0.4 ±0.5 ±0.6 | 校對 | |
| 30以上120以下 | ±0.3 ±0.4 ±0.5 ±0.6 ±0.7 ±0.8 | 覆核 | |
| 120以上315以下 | ±0.5 ±0.6 ±0.7 ±0.8 ±1.0 ±1.1 ±1.2 | 核准 | |
| 315以上1000以下 | ±0.8 ±1.1 ±1.5 ±1.8 ±2.2 | 圖號 | UWB-0600-A(P9) |
| 1000以上 | ±1.2 ±1.8 ±2.2 ±2.8 ±3.2 | 圖 | 0.2/100 |
| 技術規格之範圍 (Ra) | ▽▽▽ 0.2 | 註: 成品需符合歐盟RoHS危害物質限用指令規範 | 0.3 |
| | ▽▽▽ 0.2 | | 9 |
| | ▽▽ 0.2-1.6 | | 8 |
| | ▽ 2-6.3 | | 7 |
| | ▽ 8-25 | | 6 |
| | ▽ 31.5-125 | | 5 |
| | ▽ 125-500 | | 4 |
| | ▽ 500-2000 | | 3 |
| | ▽ 2000-8000 | | 2 |
| | ▽ 8000-32000 | | 1 |

驅動器接線圖DRIVER1

※請將馬達驅動器上的指撥和旋鈕依下表調整

| Driver2 | | | | | | |
|---------|----|-----|-----|------|-----|----------|
| 指撥開關 | | | | 旋鈕開關 | | |
| 1 | 2 | 3 | 4 | 5 | 6 | STEP RUN |
| OFF | ON | OFF | OFF | OFF | OFF | 2 9 |

※馬達接線方法如下

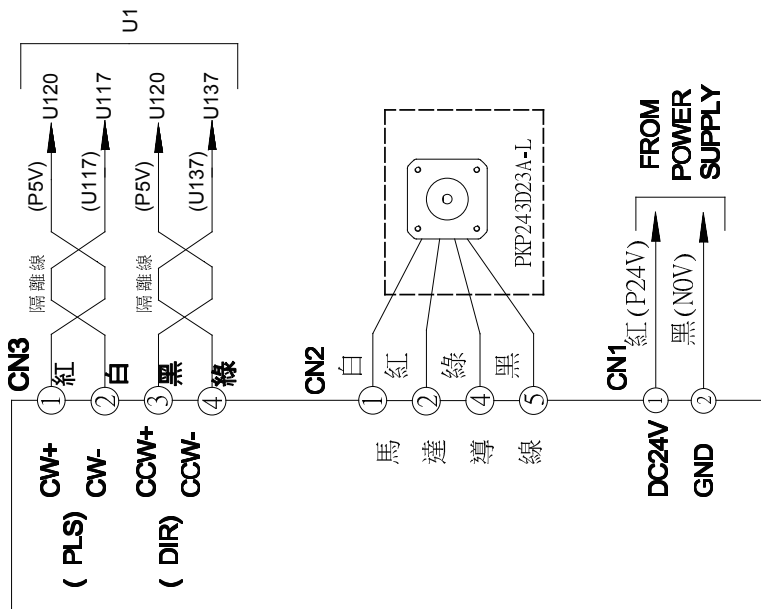


| No. | A端 | | B端 | | Driver CN2 |
|-----|----|----|----|----|------------|
| | 標示 | 綠色 | 標示 | 綠色 | |
| 1 | 1 | 藍 | 1 | 白 | 1 綠色 |
| 2 | 2 | 紅 | 2 | 紅 | 2 白色 |
| 3 | 3 | 綠 | 3 | 綠 | 3 紅色 |
| 4 | 4 | 黑 | 4 | 黑 | 4 綠色 |
| | | | | | 5 黑色 |

※CN1 線使用#20X1C

※CN2 線使用#20X4C

※CN3 線使用#24X4C雙絞雙隔離線



CVD228BR-K

| | | | |
|---------------|----------------|------------------|-------------|
| 熱處理: 依廠商規定 | 更改內容 | 中文品名 | 電控箱 |
| 硬度: 依廠商規定 | | 英文品名 | Control Box |
| 硬度層深度: 依廠商規定 | 表面處理: | 材質 | |
| 尺寸區分mm | 沖壓加工 (準, 銑, 鑽) | 第三角法單位: mm | |
| 0.5以上6以下 | 加工區分 | 公差: 比例: | |
| 6以上30以下 | 切削加工 | 責任者 年 月 日 | |
| 30以上120以下 | 沖壓加工 | 繪圖 | |
| 120以上315以下 | 加工 | 校對 | |
| 315以上1000以下 | 加工 | 覆核 | |
| 1000以上 | 加工 | 核准 | |
| 表面粗糙度之範圍 (Ra) | 公差 | 角度公差 | |
| ▽▽▽ 0.2 | ▽▽▽ 0.2-1.6 | ▽ 1/100 | |
| ▽▽▽ 0.2 | ▽ 2-6.3 | ▽ 8-25 | |
| | | 註: 成品需符合歐盟RoHS指令 | |

高林關係企業

驅動器接線圖DRIVER2

※請將馬達驅動器上的指撥和旋鈕依下表調整

| Driver3 | | | | | | |
|---------|-----|-----|----|------|-----|----------|
| 指撥開關 | | | | 旋鈕開關 | | |
| 1 | 2 | 3 | 4 | 5 | 6 | STEP RUN |
| OFF | OFF | OFF | ON | OFF | OFF | 6 7 |

※馬達接線方法如下

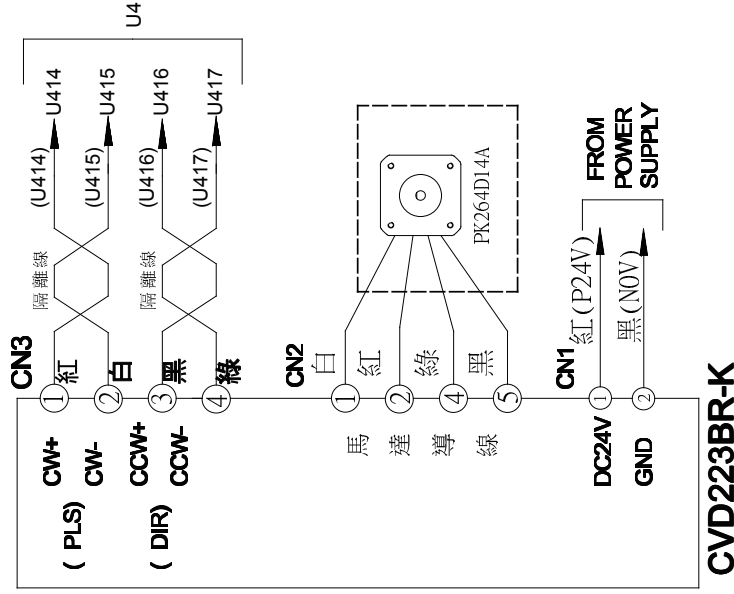


| A端 | | B端 | | Driver CN2 | |
|-----|----|----|----|------------|----|
| No. | 標示 | 標示 | 線色 | No. | 標示 |
| 1 | 藍 | 1 | 白 | 1 | 白 |
| 2 | 紅 | 2 | 紅 | 2 | 紅 |
| 3 | 綠 | 3 | 綠 | 3 | 綠 |
| 4 | 黑 | 4 | 黑 | 4 | 黑 |

※CN1 線使用#20X1C

※CN2 線使用#20X4C

※CN3 線使用#24X4C雙絞雙隔離線



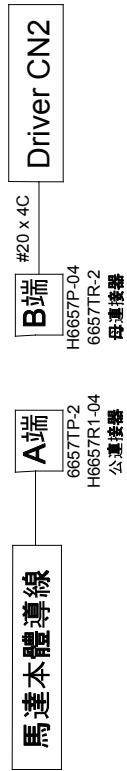
驅動器接線圖DRIVER3

| 更改內容 | | 高林關係企業 | |
|----------------|---------------------|--------|-----------------|
| 熱處理: 依廠商規定 | 表面處理: | 中文品名 | 電控箱 |
| 硬度: 依廠商規定 | 脫漆 | 英文品名 | Control Box |
| 尺寸區分mm | 沖壓加工 (車、銼、磨) | 材質 | 電路圖 |
| 0.5以上, 6以下 | ±0.1 ±0.2 ±0.4 ±0.2 | 圖號 | UWB-0600-A(P11) |
| 6以上, 30以下 | ±0.2 ±0.3 ±0.5 ±0.3 | 圖名 | 0.2/100 |
| 30以上, 120以下 | ±0.3 ±0.5 ±0.7 ±0.5 | 圖號 | 0.2/100 |
| 120以上, 315以下 | ±0.5 ±0.6 ±1.0 ±0.6 | 圖名 | 0.2/100 |
| 315以上, 1000以下 | ±0.8 ±1.1 ±1.5 | 圖號 | 0.2/100 |
| 1000以上 | ±1.2 ±1.8 ±1 | 圖名 | 0.2/100 |
| 表面粗糙度之範圍 (Ra) | ▽▽▽ 0.2 | 圖號 | 0.2/100 |
| 切削加工形狀・位置精度 | ▽▽▽ 0.2 | 圖名 | 0.2/100 |
| 公差 | ▽▽▽ 0.2-1.6 | 圖號 | 0.2/100 |
| 角度公差 | ▽ 2-6, 3 | 圖名 | 0.2/100 |
| 注: 成品需符合歐規RoHS | ▽ 8-25 | 圖號 | 0.2/100 |

※請將馬達驅動器上的指撥和旋鈕依下表調整

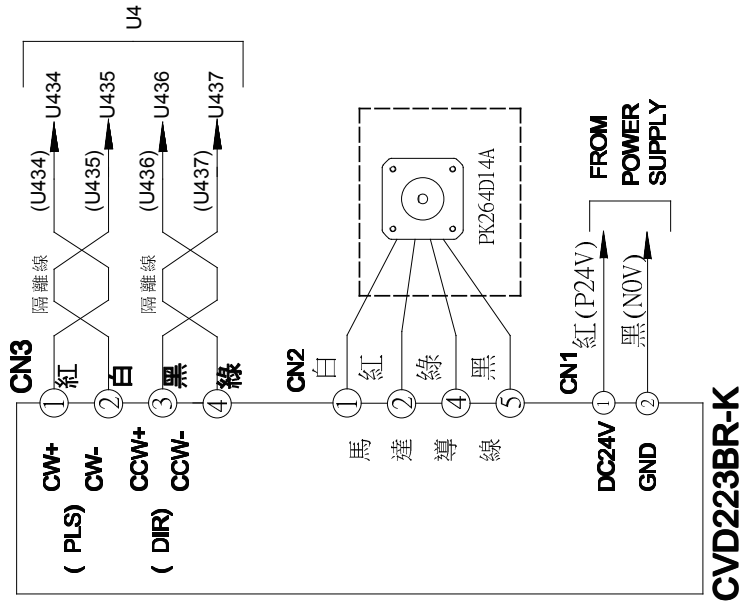
| Driver4 | | | | | | |
|---------|----|-----|----|------|-----|----------|
| 指撥開關 | | | | 旋鈕開關 | | |
| 1 | 2 | 3 | 4 | 5 | 6 | STEP RUN |
| OFF | ON | OFF | ON | OFF | OFF | 6 7 |

※馬達接線方法如下



| A端 | | B端 | | Driver CN2 | |
|-----|----|----|-----|------------|----|
| No. | 標示 | 線色 | No. | 標示 | 線色 |
| 1 | 1 | 藍 | 1 | 白 | 白 |
| 2 | 2 | 紅 | 2 | 紅 | 紅 |
| 3 | 3 | 綠 | 3 | 綠 | 綠 |
| 4 | 4 | 黑 | 4 | 黑 | 黑 |

- ※CN1 線使用#20X1C
- ※CN2 線使用#20X4C
- ※CN3 線使用#24X4C雙絞雙隔離線

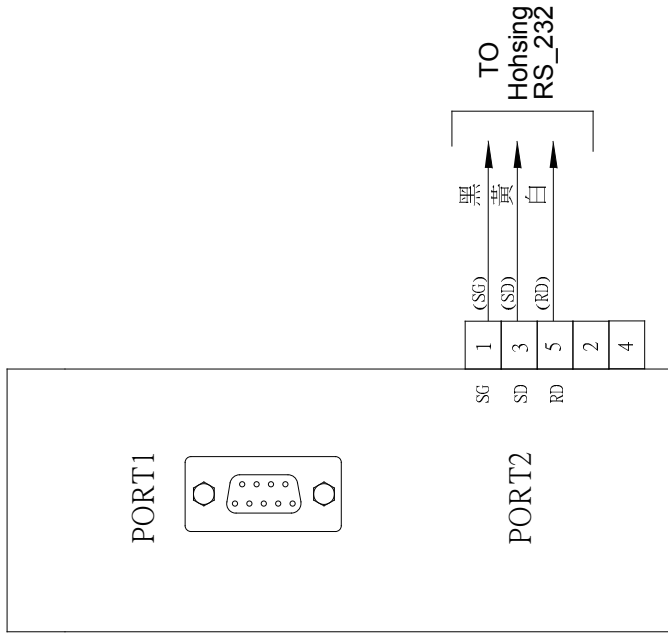


| 更改內容 | | 表面處理： | | 第三角法 | | 單位：mm | |
|-------------|------|---------|------|-------|---------|---------|------|
| 熱處理：依廠商規定 | 沖壓 | 鍍造 | 脫模 | 比例 | 年 | 月 | 日 |
| 硬度：依廠商規定 | 加工 | 加工 | 加工 | 負責者 | 年 | 月 | 日 |
| 硬度層深：依廠商規定 | 加工 | 加工 | 加工 | 繪圖 | 年 | 月 | 日 |
| 尺寸區分 | 加工 | 加工 | 加工 | 校對 | 年 | 月 | 日 |
| 0.5以上6以下 | ±0.1 | ±0.2 | ±0.4 | ±0.2 | ±1.0 | ±0.6 | ±1.0 |
| 6以上30以下 | ±0.2 | ±0.3 | ±0.5 | ±0.3 | ±1.5 | ±1.0 | ±1.5 |
| 30以上120以下 | ±0.3 | ±0.5 | ±0.7 | ±0.5 | ±2.0 | ±1.5 | ±2.0 |
| 120以上315以下 | ±0.5 | ±0.6 | ±1.0 | ±0.6 | ±2.5 | ±2.0 | ±2.5 |
| 315以上1000以下 | ±0.8 | ±1.1 | ±1.5 | ±1.0 | ±3.0 | ±2.5 | ±3.0 |
| 1000以上 | ±1.2 | ±1.8 | ±2.5 | ±1.5 | ±4.0 | ±3.0 | ±4.0 |
| 初加工形狀・位置精度 | ▽ | ▽ | ▽ | ▽ | ▽ | ▽ | ▽ |
| 初加工之範圍 (Ra) | ▽▽▽ | ▽▽ | ▽ | ▽ | ▽ | ▽ | ▽ |
| 公差 | 0.2 | 0.2-1.6 | 1/4 | 1/100 | 0.2/100 | 0.2/100 | 0.3 |

| 高林關係企業 | |
|--------|-----------------|
| 中文品名 | 電控箱 |
| 英文品名 | Control Box |
| 材質 | 電路圖 |
| 繪圖 | UWB-0600-A(P12) |
| 圖號 | 0.2/100 |
| 圖號 | 0.3 |

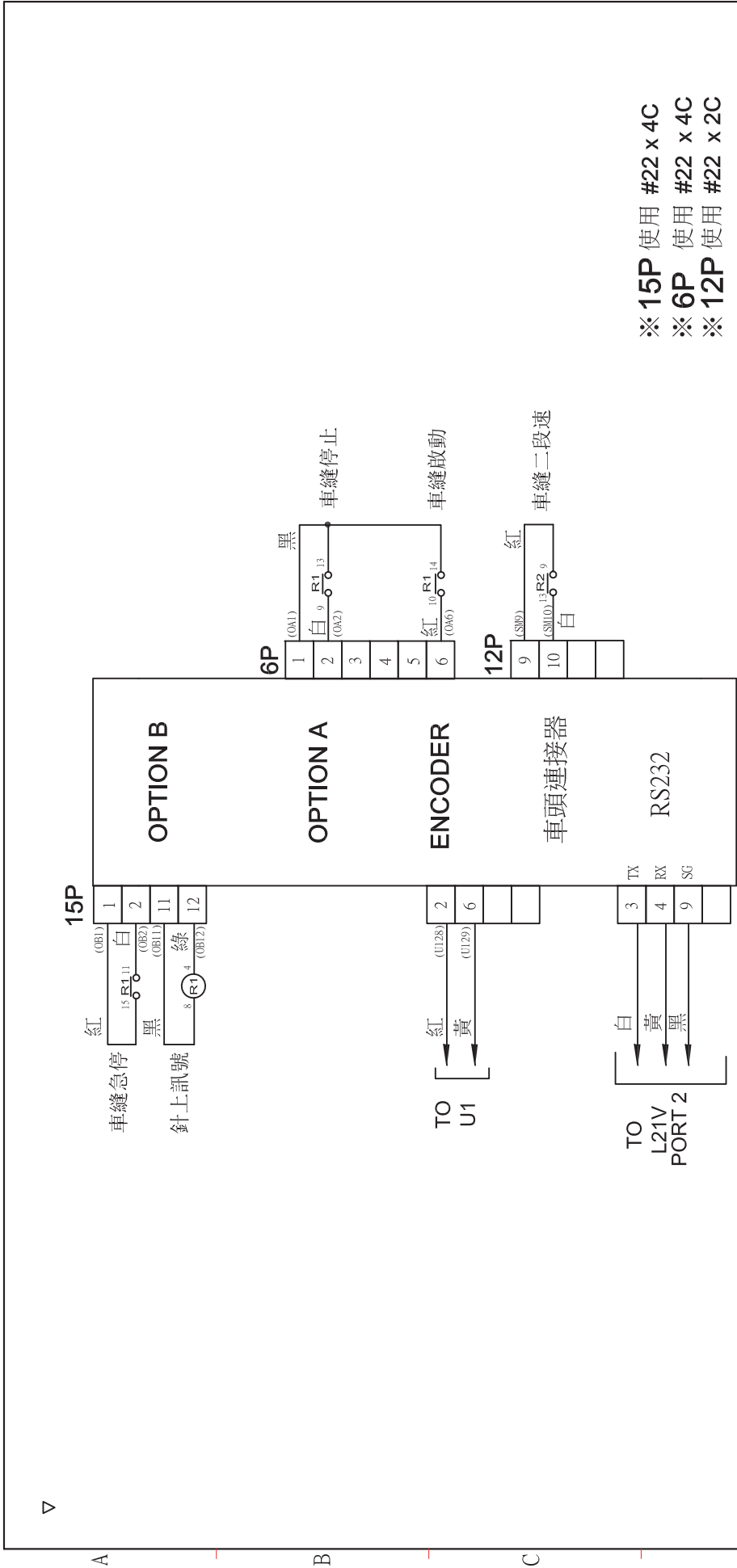
驅動器接線圖DRIVER4

▽



通訊模組接線圖 L21V

| | | | | | |
|--------------|--|---------------------|--|---------|--------------------------|
| 熱處理: 依廠商規定 | | 更改內容 | | 高林關係企業 | |
| 硬度: 依廠商規定 | | 表面處理: | | 中文品名 | 電控箱 |
| 硬度層深度: 依廠商規定 | | 沖壓 鑄造 壓鑄 | | 英文品名 | Control Box |
| 加工區分 | | 第三角法 | | 材質 | |
| 加工區分 | | 重量 (kg) | | 塗程 | 電路圖 |
| 0.5以上6以下 | | ±0.2 ±0.4 ±0.2 | | 圖號 | UWB-0600-API3 |
| 6以上30以下 | | ±0.2 ±0.3 ±0.5 | | 單位: mm | |
| 30以上120以下 | | ±0.3 ±0.5 ±0.7 ±0.5 | | 比例: | |
| 120以上315以下 | | ±0.5 ±0.6 ±1.0 ±0.6 | | 繪圖 | |
| 315以上1000以下 | | ±0.8 ±1.1 ±1.5 | | 校對 | |
| 1000以上 | | ±1.2 ±1.8 | | 覆核 | |
| 初加工形狀・位置精度 | | 公差 | | 核准 | |
| 表面粗度之範圍 (Ra) | | 1/4 | | 角度公差±9° | |
| ▽▽▽ 0.2 | | ▽▽ 0.2~1.6 | | 1/100 | 0.2/100 |
| ▽▽▽ 0.2 | | ▽▽ 2~6.3 | | 8*25 | 註: 成品需符合歐盟RoHS危害物質限制指令規範 |
| ▽ 0.2 | | ▽ 8~25 | | 9 | 10 |



※15P 使用 #22 x 4C
 ※6P 使用 #22 x 4C
 ※12P 使用 #22 x 2C

| | | | |
|---------------|---------|-------------|--------|
| 熱處理: 依廠商規定 | | 更改內容 | |
| 硬度: 依廠商規定 | | 表面處理: | |
| 硬度層深度: 依廠商規定 | | 第三角法 單位: mm | |
| 加工區分 | | 重量: 比例 | |
| 0.5以上6以下 | 沖壓 | 繪圖 | 校對 |
| 6以上30以下 | 鍛造 | 覆核 | 核准 |
| 30以上120以下 | 鍛造 | 繪圖 | 校對 |
| 120以上315以下 | 鍛造 | 覆核 | 核准 |
| 315以上1000以下 | 鍛造 | 繪圖 | 校對 |
| 1000以上 | 鍛造 | 覆核 | 核准 |
| 初加工形狀・位置精度 | 公差1/4 | 角度公差2 | 1/100 |
| 表面粗糙度之範圍 (Ra) | ▽▽▽ 0.2 | ▽▽ 2-6.3 | ▽ 8-25 |

| | |
|--------|-----------------|
| 高林關係企業 | |
| 中文品名 | 電控箱 |
| 英文品名 | Control Box |
| 材質 | |
| 途程 | 電路圖 |
| 圖號 | UWB-0600-A(P14) |
| 日期 | 0.2/100 |
| 比例 | 0.3 |

Hohsing i70M



 高林股份有限公司
KAULIN MFG. CO., LTD.

由於對產品的改良及更新，本產品使用說明書中與零件圖之產品及外觀的修改恕不事先通知！
The specification and/or appearances of the equipment described in this instruction book & parts list are subject to change because of modification which will without previous notice.
ASC-UWB100M..JUL.2018