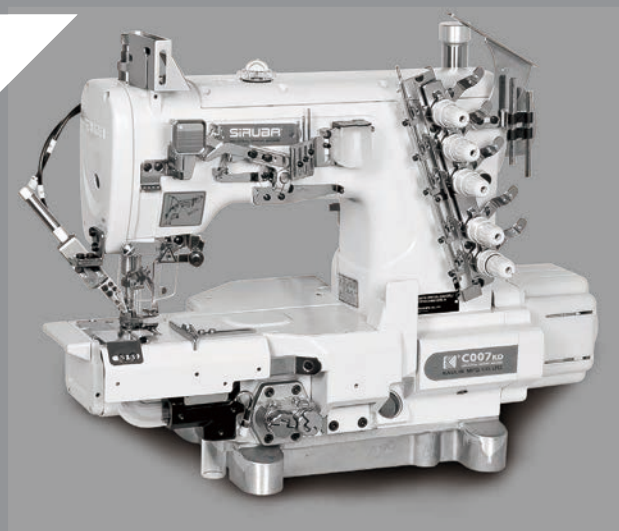


# SIRUBA

使用說明書與零件圖



INSTRUCTIONS BOOK & PARTS LIST

■ C007K/C007KD








CE

## 危險水準的說明 Explanation of Dangerous Level

|   |  |
|---|--|
| <br><b>危險</b><br>Dangerous | <p>如果忽視此標記而運行了錯誤的機械操作，保養時肯定會引起當事者或第三者人員重傷或死亡。</p> <p>Don't ignore the warning sign and don't proceed incorrect operation. Or it will cause the person or the third party seriously injured or dead during maintenance.</p>   |
| <br><b>注意</b><br>Caution   | <p>如果忽視此標記而運行了錯誤的機械操作，保養時有可能會引起當事者或第三者人員受傷及造成設備損壞。</p> <p>Ignoring this warning sign and proceed incorrect operation will cause the person involved or the third party wounded and equipment damaged during maintenance.</p> |

## 警告圖案表示及表示標誌的說明 Explanation of Warning Signs and Labels

|                                  |   |  |
|----------------------------------|---|--|
| <b>警告圖案表示</b><br>Warning Sign    |  | <b>運動部位，謹防工傷事故</b><br>Moving part, beware of industrial accident |
|                                  |  | <b>高壓部位，謹防觸電事故</b><br>High voltage, beware of electric shock     |
|                                  |  | <b>高溫部位，謹防燙傷事故</b><br>High temperature, beware of burns          |
| <b>指示標誌</b><br>Instruction Label |  | <b>禁止</b><br>Prohibited  |
|                                  |  | <b>地線的接線表示</b><br>Indication of ground wiring                    |

| 索引          | INDEX  | 頁 /PAGE |
|-------------|--|---------|
| 一般安全事項說明    | GENERAL SAFETY INSTRUCTIONS                        | 1       |
| 重要安全事項說明    | IMPORTANT SAFETY INSTRUCTION                       | 3       |
| 特別事項        | WARNING  | 7       |
| 警告標籤        | WARNING TAG  | 8       |
| 護針安全圖說      | SAFETY INSTRUCTION OF NEEDLE GUARD                 | 9       |
| 搬運縫紉機       | MOVING THE SEWING MACHINE                          | 9       |
| 縫紉機的安裝位置    | THE INSTALLATION POSITION<br>OF THE SEWING MACHINE | 10      |
| 規格          | SPECIFICATIONS                                     | 10      |
| 安全開關及其功能    | SAFETY SWITCH AND ITS FUNCTION                     | 11      |
| 定位器之安裝與調整   | INSTALLATION ANF ADJUSTMENT OF SYNCHRONIZER        | 12      |
| 操作步驟        | OPERATION PROCESS                                  | 13      |
| 各部件名稱       | NAMES OF MAJOR PARTS                               | 15      |
| 機種說明        | THE DESCRIPTION OF THE MODEL                       | 16      |
| 關於本機的重要安全事項 | IMPORTANT SAFETY INSTRUCTIONS OF THIS MACHINE      | 20      |
| 安裝          | INSTALLATION                                       | 21      |
| 馬達之安裝方式     | INSTALL THE MOTOR                                  | 23      |
| 馬達與皮帶       | MOTOR AND BELT                                     | 24      |
| 穿線方式        | THREADING  | 24      |
| 拉線鬆緊度調整     | ADJUST THREAD TENSION                              | 24      |
| 針線挑線桿之調整    | ADJUSTING NEEDLE THREAD TAKE-UP                    | 25      |
| 上叉挑線桿之調整    | ADJUSTING SPREADER THREAD TAKE-UP                  | 25      |
| 壓具之調整       | ADJUSTING PRESSER FOOT                             | 26      |
| 縫目長度之調整     | ADJUSTING STITCH LENGTH                            | 26      |
| 差動比調整       | ADJUSTING DIFFERENTIAL RATIO                       | 27      |
| 壓具壓力強度之調整   | ADJUSTING PRESSURE OF THE PRESSER FOOT             | 28      |
| 操作環境照明      | LIGHTENING OF THE OPERATION ENVIRONMENT            | 28      |
| 操作者條件       | CONDITIONS OF ALL OPERATORS                        | 29      |
| 保養          | MAINTENANCE  | 29      |
| 潤滑          | LUBRICATION  | 31      |
| 針與線之冷卻與潤滑   | LUBRICATE AND COOLING OF NEEDLE AND THREAD         | 32      |

| 索引     | INDEX                      | 頁 /PAGE |
|--------|----------------------------|---------|
| 潤滑油之更換 | CHANGE THE LUBRICATION OIL | 32      |
| 濾油器之更換 | CHANGE THE OIL FILTER      | 33      |
| 針之更換   | REPLACE THE NEEDLE         | 33      |
| 故障檢修   | TROUBLESHOOTING            | 35      |
| 穿線圖    | THREADING DIAGRAM          | 43      |
| 桌板圖    | TABLE CUT-OUT              | 44      |
| 報廢流程   | DEMOLITION PROCESS         | 45      |

| MODEL           |        | C007K / C007K D    |          |
|-----------------|--------|--------------------|----------|
| Net Weight (Kg) | 45     | Noise Level, dB(A) | 80 dB(A) |
| Dimension       | Length | Width              | Height   |
|                 | 46 cm  | 25 cm              | 40 cm    |

## 一般安全事項說明

## GENERAL SAFETY INSTRUCTIONS

### 警告！

當使用這台機器，基本安全預防應恆被遵守，以減輕火災、電擊、或是個人傷害的風險。包含以下注意事項。  
在操作這台機器之前，請閱讀所有說明並且謹記於心。

- 1. 保持工作場所清潔**  
雜亂的環境與椅子會招引危害。
- 2. 考量工作場所環境**  
勿暴露電源於雨水之中、勿在濕氣重的地方或潮濕的場所使用機械器具。保持工作場所良好整齊。當有引發火災或爆炸危險時，勿使用電源工具。
- 3. 免於電擊危害**  
避免身體接觸地線或是接地表面。(即：管線，發熱物體，以及冷凍庫)
- 4. 勿使孩童接近**  
不要讓訪客碰觸工具或是延伸管線
- 5. 適當的穿著**  
不要穿著寬鬆衣物或穿戴珠寶，這可能被活動零件拉扯而導致危險。穿戴護髮套以包含住長髮。
- 6. 不要任意拉扯電線**  
絕不要用電線端拉扯機器，或是從插座猛拉電線來拔掉電線。使電線遠離熱源、油類或是尖銳邊緣。
- 7. 謹慎保養機器**  
遵從指示來添加潤滑油或是更換附件。定期檢測工具用線，如果有所損害，請使用合格的維修器具來修復。

### Warning!

When using this machine, basic safety precautions should always be followed to reduce the risk of fire, electric shock and personal injury, including the followings. Read all these instructions before operating this product and save these instructions.

- 1. Keep work area clean**  
Cluttered areas and benches invite injuries.
- 2. Consider work area environment**  
Do not expose power to rain. Do not use machine tools in damp or wet locations. Keep work area well lit. Do not use power tools where there is risk to cause any fire or explosion.
- 3. Guard against electric shock**  
Avoid body contact with earthed or grounded surfaces (e.g. Pipes, radiators, ranges refrigerators.)
- 4. Keep children away**  
Do not let visitors touch the tool or extension code.
- 5. Dress properly**  
Do not wear loose clothing or jewelry, they can be caught in moving parts. Wear protecting hair covering to contain long hair.
- 6. Do not abuse the cord**  
Never carry the machine by cord or yank it to disconnect it from the socket. Keep the cord away from heat, oil, and sharp edges.
- 7. Maintain machine with care**  
Follow instructions for lubrication and changing accessories. Inspect tool cord periodically. If damaged, have it repaired by an authorized service facility.

## 8. 分開機器

當不使用機器時、維修前、以及更換配件時。

## 9. 避免誤啟動

不要以手指置於啟動開關上之後，搬運一個已插入電源的工具。確定在插電之前，電源開關是關閉的。

## 10. 檢查損害零件

在進一步使用器具之前，應該小心檢查並確認損傷的零件或是穿戴保護器具來確認零件會正確運轉並且呈現應有功能。

## 11. 警告

除了在這本使用說明手冊中建議的功能之外，任何附件或是配件的使用，都可能會導致個人傷害的危險。

## 12. 由合格人員來修理事具

所以的修理工作應該由合格的人員使用原始個別零件來作修理。

## 連接電源的特別警示

1. 只可與有"CE"認證的按壓啟動裝置連接這台機器。
2. 遵守此使用說明手冊來安裝控制裝置。
3. 在操作過程中，永遠保持機器適當的接地。
4. 在調整、更換零件、或是維修保養之前，必須確定將插頭由插座拔出，以預防任何機器意料之外的啟動而造成危害。

## 8. **Disconnect machine**

When not in use, before servicing and when changing accessories.

## 9. **Avoid unintentional starting**

Do not carry a plug-in tool with a finger on the switch. Ensure the power switch is off when plugging in.

## 10. **Check damaged parts**

Before further use of the tool, a guard or other part that is damaged should be carefully checked to determine that it will operate properly and perform its intended function.

## 11. **Warning**

The use of any accessory or attachment, other than those recommended in this instruction manual, may present a risk of personal injury.

## 12. **Have your tool repaired by a qualified person**








Repairs should only be carried out by qualified persons using original spare parts.

## **SPECIAL WARNING FOR ELECTRIC CONNECTION!**

1. Incorporate this machine only with "CE" certificate hold-to-run control device.
2. Follow the instruction manual device to install control device.
3. Always earth machine appropriately during operation.
4. Before adjustment, parts change or servicing must be sure to pull out the plug from socket to prevent the hazard of unintentionally start of machine.








## 重要安全事項說明

恭喜您購買本機器, 為了使這台機器能獲得最佳功能以及安全的操作, 務必請正確的使用這台機器, 使用前請仔細閱讀使用說明書, 希望您能長期使用它。請記得將此說明書放在容易取得的地方。

-  1. 當您使用機器時, 除了以下事項外, 請注意其他基本安全措施。
-  2. 使用機器前, 除了這本使用說明書外, 請詳細閱讀其他有關說明書。此外, 請妥為保存這本使用說明書, 以便需要時可以隨時取閱。
-  3. 先確認機器是符合貴國安全規定及標準後, 再使用機器。
-  4. 當機器完成操作準備時, 所有安全配備必需安裝就緒, 在缺少所述安全配備下操作是不被允許的, 以免導致人員受傷。
-  5. 此機器應由受過適當訓練之操作員操作。
-  6. 為了安全, 我們建議您配戴安全眼鏡。
-  7. 以下情形, 請先關閉電源或拔掉插頭:
  - (1) 穿針線、線導片、天平等以及更換梭子時,
  - (2) 更換針、押具、針板、送具、頂針片、喇叭、車布導板, 以及其他附屬配件時。

## IMPORTANT SAFETY INSTRUCTIONS

For operating safely and getting the best functions of this machine, you must operate it correctly. Please read and follow the instructions of this manual, and keep it at hand for future references. We are confident that you will enjoy this machine as much as we enjoy manufacturing it.

-  1. Instead of the following instructions, when you use this machine, please pay attention to the basic safety measures.
-  2. Before using this machine, please read this manual and all related instructions. In addition, please keep this manual for future needs.
-  3. Before using this machine, please ascertain that it conforms with safety standards and regulations of your country.
-  4. When the machine is ready for operation, all the safety equipments must be ready. Operate this machine without the specified safety devices is not allowed.
-  5. This machine must be operated by a properly trained operator.
-  6. For your own safety, we suggest you wearing goggles.
-  7. Please turn off the power switch or disconnect it for any one of the circumstances of the followings:
  - (1) When threading needle(s), adjusting thread Take-up(s), thread guide(s), and / or replacing bobbin(s),
  - (2) When replacing needles, presser feet, needle plates, feed dogs, needle guards, horns, cloth guides and other parts or accessories.

- (3) 維修工作時。
- (4) 離開工作場所或工作場所無人看顧時。
- (5) 若使用離合器馬達而無煞車片裝置時，必需待馬達完全停止。



8. 假如不慎讓機器及配件使用之油或油脂, 接觸到眼睛、皮膚或誤食時, 請立刻以水清洗接觸部位及就診。



9. 請勿擅自碰觸運轉中之零件或配件及注意機器電源是否已開啟, 以免導致人員受傷。



10. 維修、修改及調整等工作, 需由受過適當訓練的技師或熟手為之。維修時只許使用指定之零件。



11. 一般維修及檢查工作必須由受過適當訓練的人員為之。



12. 電子零件維修及保養工作必須由資深的電子技師為之, 或由非常熟練的人員檢查及指導, 當發現零件損壞時, 請立刻停止機器運轉。



13. 在做裝有氣動式零件(例如氣缸)機器的維修及保養工作前, 機器連接空壓機及高壓空氣必須予以關閉及卸除, 機器中殘存高壓氣體必需予以消除, 此外調整及性能檢查只能由受過適當訓練的技師或熟手為之。



14. 機器使用一段時間, 必需定期清理。

- (3) When repairing,
- (4) When the operator leaves the working place or leaves the machine unattended.
- (5) If clutch motors without brake pads are used, must wait until the motor stops completely.



8. If grease, oil, or any fluid contacts your skin or eyes by any chance, please wash the contacted area completely with clean water and consult a doctor. Or, swallow any fluid mistakenly, consult a doctor immediately.



9. Do not touch any functioning parts and devices. Always attend to whether power switch is on or off before operating in order to prevent anyone from getting hurts.



10. Qualified technicians are required for adjustment, modification, and repair. Only use assigned parts for replacement.



11. Routine maintenance and service must be performed by well trained persons, or qualified technicians.



12. Maintain and check the electronic parts must be done by qualified electrician or well-trained persons. If any electronic part damaged or malfunctioned, stop the machine immediately.







13. The air hose has to be detached from the machine and the compressor or air supply has to be cut off before repairing and servicing the machine equipped with pneumatic parts such as an air cylinder. Qualified technicians or well-trained persons are required for adjustment and repairs.










14. To ensure the best performance, periodically clean the machine is necessary.






-  15. 為使機器能正常操作及減少噪音，機台務必平放地上，機器避免在強烈噪音的環境下操作。
-  16. 選用適當的電源插頭，並由電子技師將其按裝在機器上，且插頭必需插在接地線之插座上。
-  17. 機器只允許被使用於指定用途上，其他用途是不允許的。
-  18. 修改或變更機器必需依照安全規定及標準，同時採取有效的安全措施，本公司不承擔任何私自因修改或變更機器所引起損壞之責。

19. 警告提示以兩種符號標示：

-  (1) 對操作員或服務人員之傷害危險，也為了避免觸電之危險，請勿打開馬達電器箱之外蓋，也不要觸摸電器箱裡面之零件。
-  (2) 必需特別注意事項
- a. 絕對不可在移開皮帶蓋，手指保護蓋或安全配件後，進行機器操作，以免導致人員受傷。
-  b. 為了避免被機器纏住，當機器運轉中，您的手、頭髮及衣服，需遠離手輪，皮帶及馬達；此外這些部位周圍不可放置任何物品，以免導致人員受傷。

-  15. In order to operate properly and to reduce the noise, please place the machine flat and level on the ground. Avoid operating the sewing machine at a noisy surrounding.
-  16. Select a proper power plug and install it by an electrician. Please connect the power plug to a grounded receptacle.
-  17. This machine can only be used for the designed purpose. Other uses of this machine are not allowed.
-  18. Any modification or conversion made on this machine must be conformed with the safety standards and regulations. Precaution is necessary. No responsibility will our company take for damages caused by any modification or conversion of this machine without permission.
19. Two safety warning signs are applied as warning signs:

-  (1) For the safety of operators and service persons, please don't open the cover of any electronic control boxes of motor or other devices and don't touch any components inside to avoid electrical shock hazards.
-  (2) Always keep in mind :
- a. Please never operate this machine without belt cover, finger guard or any safety device to avoid physical injury.
-  b. Please keep your hair, fingers and cloths away from the hand wheel, V belt and motor while the machine is in operation, as well as never put anything near these parts, to prevent the risk of injuries by tangled into them.



- c. 當您打開電源開關後或機器已在運轉中，絕不可將您的手放在針的下方或針線控線桿外蓋中，以免導致人員受傷。



- d. 當機器運轉中，梭頭高速轉動，為了避免對手可能引起之傷害，必需確定您的手保持遠離梭頭附近。此外，當更換梭子時，確定電源開關已關閉，以免導致人員受傷。



- e. 當放置或抬起機頭時，小心勿將手置於機器中，以免導致人員受傷。



- f. 為了避免機器突然啟動而引起可能意外，當機頭傾斜或移開皮帶蓋及皮帶時，請關掉機器電源，以免導致人員受傷。



- g. 如果您的機器是配置伺服馬達，機器於靜止狀態時，馬達是不會產生噪音的，為了避免機器突然啟動而引起可能意外，故請關掉機器電源。



- h. 為了避免觸電之危險，請絕不要在移開電源接地線後操作機器。



- c. Please never put your fingers under the needle(s) or in the thread take-up cover to prevent physical injuries when you turn on the power switch or operate the machine.



- d. While the machine is in operation, the hook rotates at a high speed. Please keep your hands away from the area of hook to prevent any potential injury to your hands. In addition, please make sure to turn off the power of the machine while changing bobbins.



- e. Be careful and do not place your fingers inside the machine when placing or lifting the machine head to avoid possible physical injuries.



- f. Please turn off the power before tilting the machine head or removing the belt cover and the V belt to avoid possible accidents due to abrupt start of this machine.



- g. For machines equipped servo motors, the motors do not produce noise while the machines are at rest. Therefore, please turn off the power of this machine to avoid possible accidents due to abrupt start of the machine.



- h. Never operate the sewing machine after the ground wire is removed to avoid electrical shock hazards.



- i. 為了避免觸電或電子零件損壞而引起之可能意外，請先切斷電源，再插上或拔掉插頭。



- i. Please turn the power switch off before connecting or disconnecting the power plug to prevent possible accidents due to electric shock or damaged electronic components.

## 特別事項

## WARNING

為了避免機器故障及損壞，請先確定以下事項：



1. 當您安裝好機器後，做第一次機器操作前，請徹底清潔機器。



2. 清除運送途中累積之灰塵及溢出之油脂。



3. 確定電壓及馬達相數(單相或三相)安裝正確。



4. 確定電源插頭正確地接上電源。



5. 當使用電壓與標示電壓不同時，請勿使用機器。



6. 確定機器轉動方向是否正確。



警告：

在操作或調整本書中所提到之各步驟前，請先將電源關掉，以免因為機器突然啟動造成之意外。

Please confirm the followings to avoid malfunction or damage to this machine.



1. After installing the machine, and before the first operation, please clean it completely.



2. Clean all dust and overflowed oil during transportation.



3. Confirm that the voltage and the phase (single or 3 phase) of motor are set correctly.



4. Confirm that the power plug is correctly connected to the power supply.



5. Never use the machine when the local voltage type is different from the marked voltage on the nametag attached on the machine.



6. Confirm that the rotating direction of the machine pulley is correct.



Warning :

Before doing any operation or any adjustment described later in this manual, please turn the power off to prevent accidents caused by abrupt start of the sewing machine.

## 警告標籤

## WARNING TAG

- 縫紉機上有下列警告標籤。(圖1, 圖2)
- 當使用縫紉機時, 請遵守標籤上的說明。如果標籤脫落或模糊不清, 請和購買商店聯繫。

- The following warning tags will be attached on the sewing machine. (Fig. 1, Fig. 2)
- When using the sewing machine, please follow the instructions of the tags. Please contact the dealer if any of the tags is fallen off or fuzzy.



圖1/Fig. 1

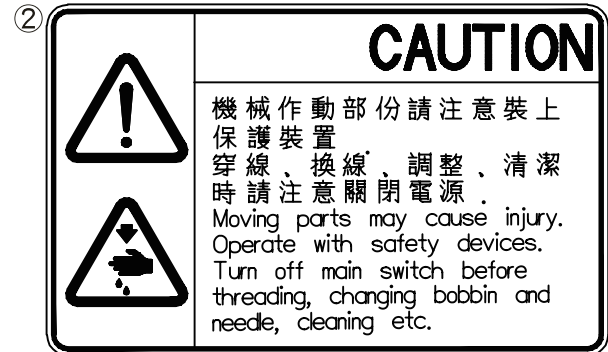


圖2/Fig. 2

### ③ 必須接地

接駁地線不牢固, 是造成觸電或錯誤動作的原因。

### ③ must have ground wire.

A loosen or a did not connect well ground wire is the reason causing electronic shock or malfunction.

### ④ 表示轉動方向

安全保護裝置(圖3)

- (A) 護指器
- (B) 護目鏡

### ④ Indicates rotating direction.

Safety Protection Device (Fig. 3)

- (A) Finger protector
- (B) Goggle

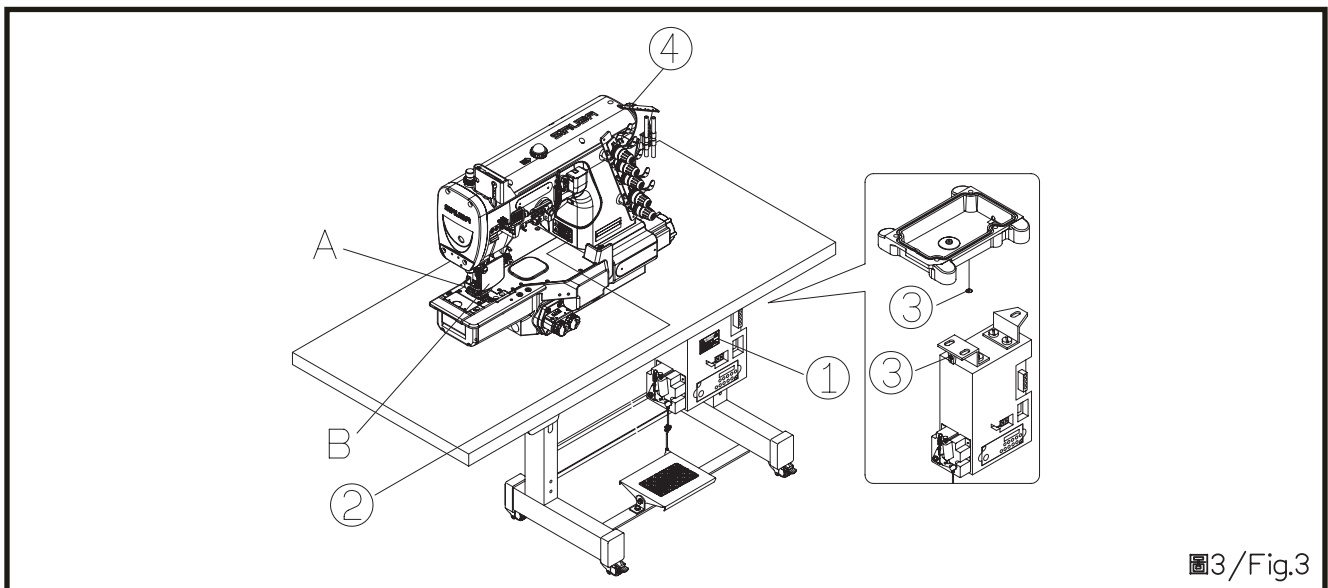


圖3/Fig.3

## 護針安全圖說

## SAFETY ILLUSTRATION OF THE NEEDLE GUARD

本縫紉機之壓具防護裝置如圖所示，為保護操作者之操作安全，嚴禁將此裝置拆卸。

The presser foot protection device is shown as figure 4. For safety of all operators, this device is restricted to disassemble.

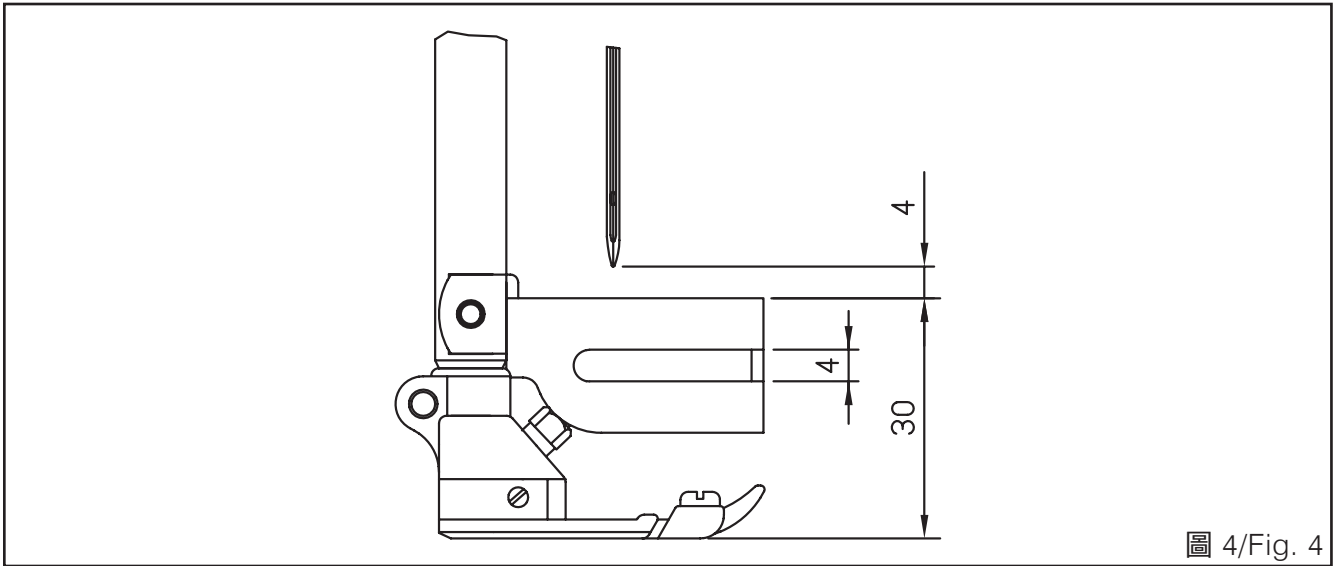


圖 4/ Fig. 4

## 搬運縫紉機

## MOVING THE SEWING MACHINE

1. 請由兩人用手托住機殼本體進行搬運。
2. 用手扶住馬達蓋 A 部，使手輪不能轉動。
3. 搬運時，請穿著安全鞋。（圖 5）

1. The machine should be carried by two people as shown in the figure.
2. Hold the motor cover A firmly by hand, so that the pulley will not rotate.
3. Please wear a pair of skidproof shoes while moving the sewing machine. (Fig.5)

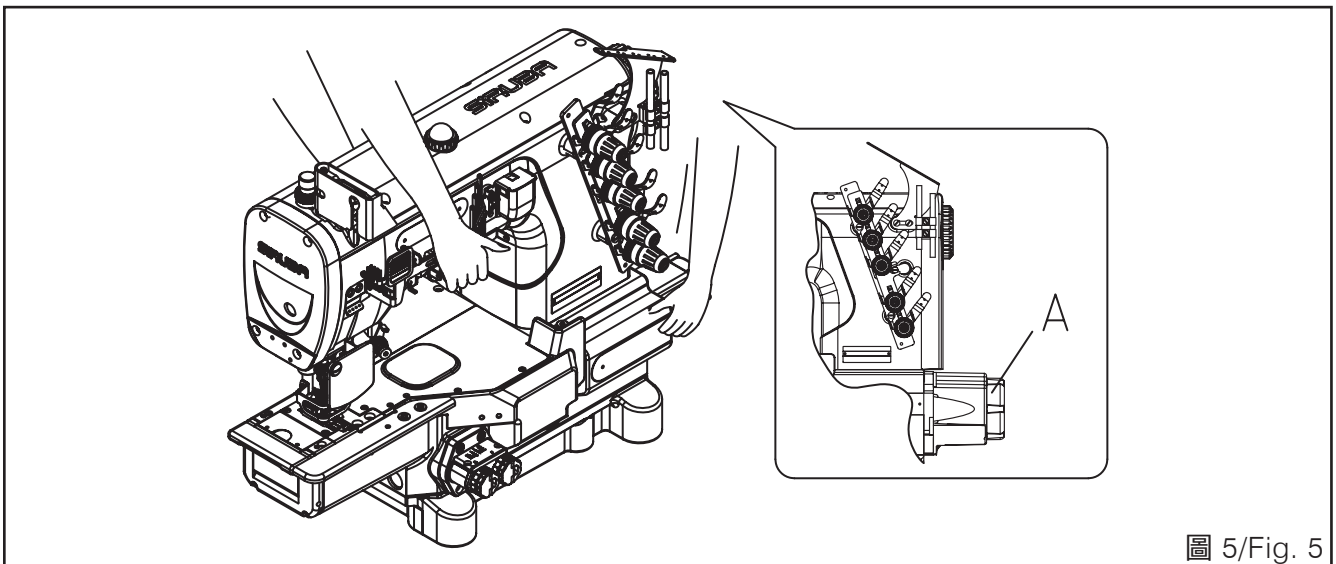


圖 5/ Fig. 5

## 縫紉機的安裝位置

1. 勿將該縫紉機置於設備附近，如電視機、收音機或無線電話等，否則這些設備可能被縫紉機的電子干擾所影響。(圖6)
2. 應將縫紉機直接插入AC電源插座，如果使用延長線，可能會造成操作故障。

## THE INSTALLATION POSITION

1. Please do not install the sewing machine near the equipments, such as Television, Radio, or Wireless Telephone. Or these equipments will experience electronic interference. (Fig. 6)
2. The wire should insert to the AC power socket directly. If using the extension wire, this might cause malfunction.

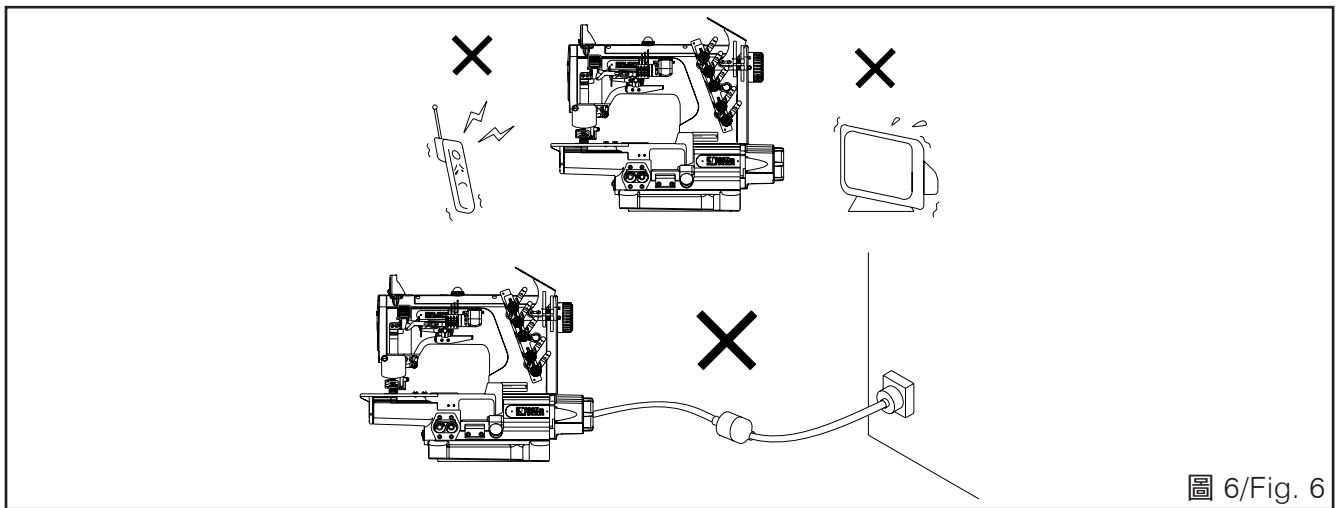


圖 6/ Fig. 6

## 規格

1. 使用馬達：
  - (1) 定位馬達
  - (2) 伺服馬達
2. 使用馬力：1HP( 定位馬達 ) 或 600W( 伺服馬達 )
3. 皮帶輪尺寸：直徑 90mm-110mm ( 出廠設定值為 90mm)
4. 空壓式：有效空氣壓 3.5kg/cm<sup>2</sup>
5. 電磁閥電壓 24V 直流
6. 旋轉式電磁鐵電壓 30V 直流

註：

- (1) 馬達使用之電壓、頻率、相數，於訂貨時規定之。
- (2) 馬達之功能調整請參閱馬達使用說明書。

## SPECIFICATIONS

1. Motor types:
  - (1) position motor
  - (2) servo motor
2. Horse power: 1HP for position motor/ 600W for servo motor
3. Size of motor pulley: 90~110 mm in diameter (standard is 90mm)
4. Air pressure type: Minimum required pressure is 3.5kg/cm<sup>2</sup>
5. The voltage of the solenoid is DC 24V.
6. The voltage of the rotary electromagnet is DC 30V.

Note:

- (1) Motor voltage, hertz and phases have to be specified clearly while ordering.
- (2) All details regarding to the motor adjustment, please refer to the motor operation manual.

## 安全開關及其功能

## SAFETY SWITCH AND ITS FUNCTION

## 1. 氣動式

- a. 電磁閥(左側)1：為控制壓具抬放動作之驅動。
- b. 電磁閥(中間)2：為控制針線及下勾針線切刀機構之驅動。
- c. 電磁閥(右側)3：為控制上裝飾切線切刀機構或空壓吹線吹管之驅動。(以上請參考零件圖)

## 2. 電動式

- a. 電磁鐵(UT534K)：為控制針線及下勾針線切刀機構驅動。(如零件圖所示)
- b. 電磁鐵(UT218J)：為控制上裝飾線夾線機構之驅動。(如零件圖所示)
- c. 電磁鐵(UT776)：為控制上裝飾線切線機構之驅動。(如零件圖所示)

3. 安全開關為感測針線及下勾針線切線機構，於切線後是否回歸原點，切線機構如未在原點時，馬達將無法運轉(圖7)。

## 注意：

(1)在連接電磁閥線路時，請確記先關掉電源開關，若電源開關未關閉時，請注意勿使紅色及黑色兩線因互相接觸造成短路以致損壞內部電路(如零件圖所示)。

(2)與馬達控制箱連接之插頭，應充分插入，使接觸良好；避免鬆動而產生動作不良或無動作。

## 1. Pneumatic

- a. Solenoid valve (left side)1: is used to control the presser foot lift and lower movement.
- b. Solenoid valve (middle)2: is used to control the operation of the lower trimmer. (Including needle thread and lower looper thread.)
- c. Solenoid valve (right side)3: is used to control the operation of the spreader's thread trimmer or to drive the air blower. (Please refer to the parts list for above information.)

## 2. Electric

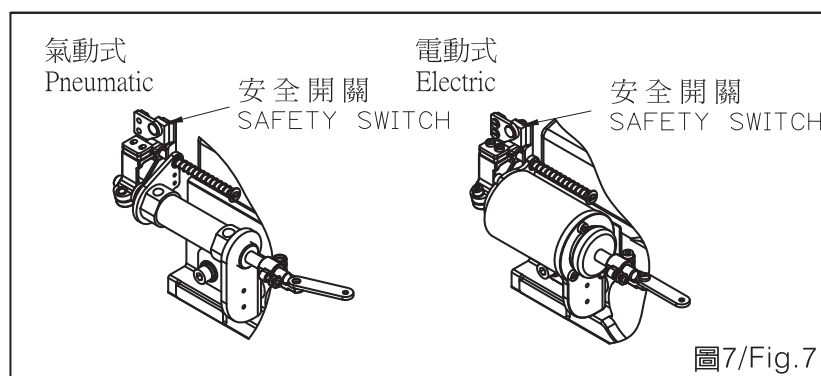
- a. Electromagnet (UT534K): is to control the operation of threads (upper and lower) and the mechanism of thread trimming (as shown in the parts list).
- b. Electromagnet (UT218J): is used to control the operation of the top cover thread pulling system (as shown in the parts list).
- c. Electromagnet (Ut776): is used to control the operation of top cover thread trimmer (as shown in the parts list).

3. The major function of the safety switch is to check and confirm the thread trimmer of needle's and lower looper's returning to the origin. If the trimmer is not located on the origin, the motor will not function at all. (Fig.7)

## Note:

(1) Please be sure to turn off the power switch before connecting the wires on the solenoid valve. If the power switch is not turned off, please notice that the red and black wires do not contact. Otherwise, the contact will cause short circuit and damage the internal circuit (as shown in the parts list).

(2) The plug connecting with the motor controlling box should be plugged fully so that it contacts well. This will prevent the malfunction resulting from the loose plug.



## 定位器之安裝與調整

## INSTALLATION AND ADJUSTMENT OF SYNCHRONIZER

1. 將隱藏式定位器(1)壓入車頭長溝(2)後，再以螺絲(3)鎖緊。(圖8)
2. 在連接各部接線或接頭時應注意先關閉電源開關。
3. 確認針棒在上定位時，車頭上之記號(1)應與手輪(2)上所標示的刻劃(3)上方一小刻劃對齊。(圖9)

1. Press the hidden synchronizer into the long groove of the machine head, and then tighten the screw (3). (Fig.8)
2. Before connecting each wire or plug, please check that all the electric switches are turned off.
3. The mark (1) should be aligned with the shorter marking line (3) on the hand pulley (2) when the needle bar is at its top dead point. (Fig.9)

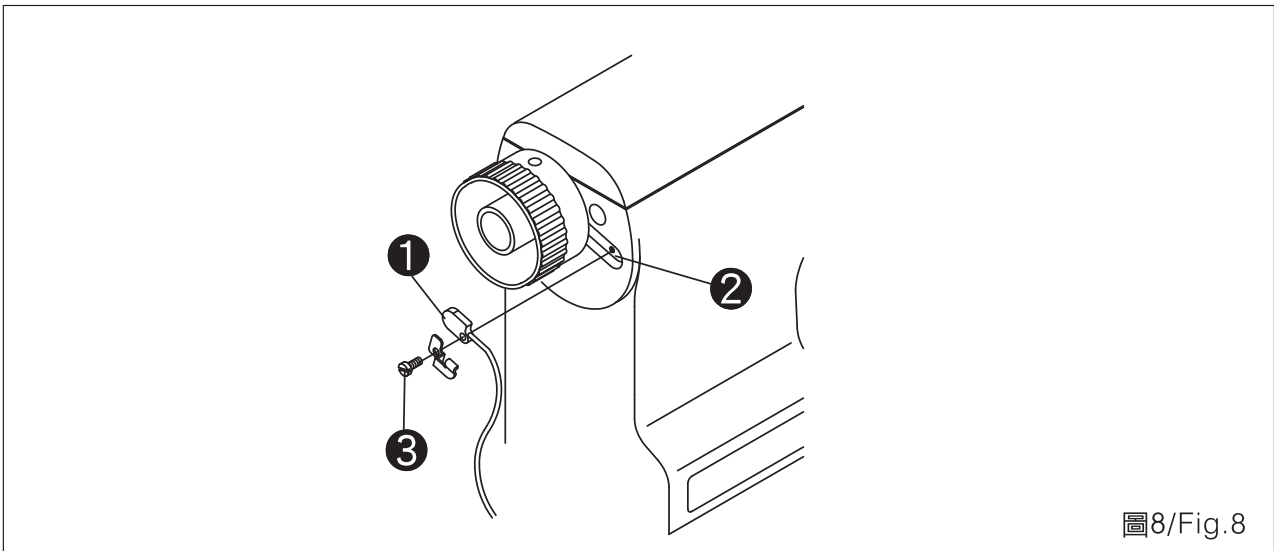


圖8/Fig.8

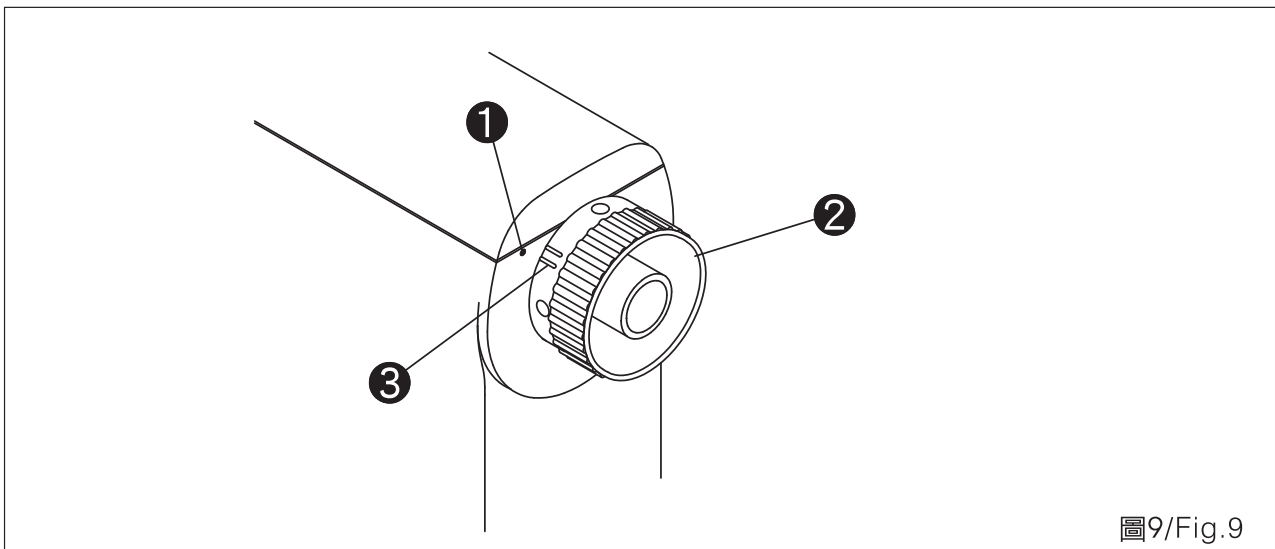


圖9/Fig.9



## 操作步驟

## OPERATION PROCESS

1. 當腳往前踩下腳踏板，機器開始運轉和車縫。（圖 10-1）
2. 當腳踏板置於（圖 10-2）位置時，機器停止運轉且針棒落於最低位置。
3. 當後踩踏板（圖 10-4）時，針棒轉至最高點停住，各切線機構開始操作。
  - (1) 針線及下勾針線切線機構將針線及下勾針線拉至上刀切斷，切斷之勾針線由夾線機構夾持。
  - (2) UTP-K 及 UTR-K 時，上飾線機構將上飾線切斷並將線頭拉至彈片處夾持。
  - (3) UTQ-K 時，針線以空氣壓力將針線吹至壓具上方。
  - (4) UTS-K 時，針線拉線機構將針線拉至彈片夾持。
  - (5) 壓具提升。
4. 移開車縫布料進行下一次縫紉。
5. 將腳踏板放回至（圖 10-2）位置壓具即放下。
6. 將腳踏板置於（圖 10-3）或（圖 10-4）位置可使壓具提升。

## 注意：

- (1) 在無空壓源之狀態時，請勿將下切刀置於左側切線之位置，以免誤動機器電源開關，將下切刀碰壞。

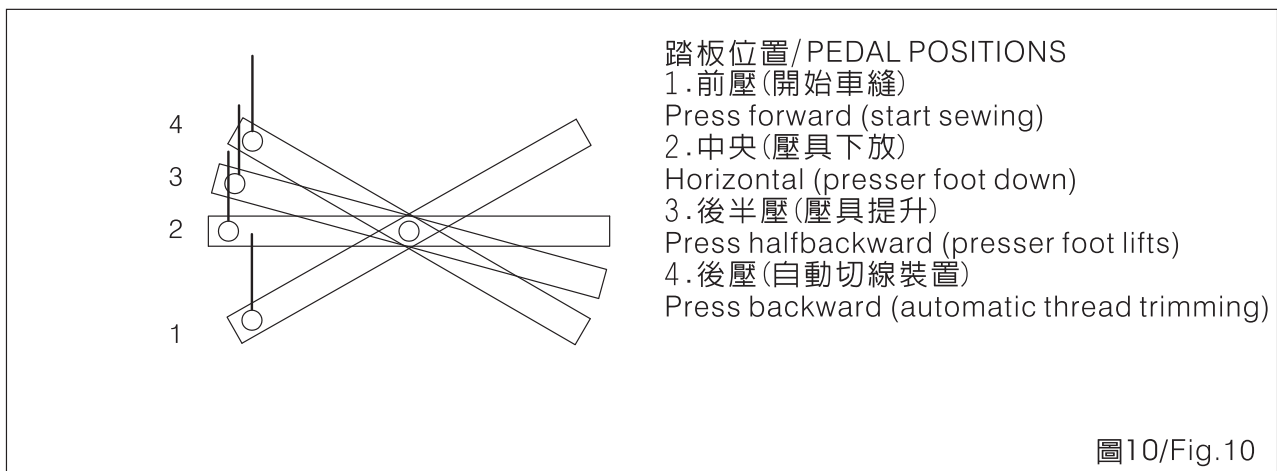
1. Thread on the pedal to start the machine and sewing. (Fig.10-1)
2. When the pedal stop horizontally (Fig. 10-2), the machine stops running and the needle bar will stop at the lower dead point.
3. When threading the pedal backward and holding (Fig.10-4), the needle bar moves up and stops at the upper dead point, and all trimming system start working.
  - (1) When the mechanism of the thread and lower thread trimmer pull the thread and the lower thread to top trimmer to trim, the trimmed thread will be held by the clamping mechanism.
  - (2) When under UTP-K and UTR-K, top cover thread trimming mechanism trims and clamps the top cover thread.
  - (3) When under UTQ-K, needle's thread will be blown to the upside of the presser foot by air pressure.
  - (4) When under UTS-K, needle's thread will be pulled and clamped by needle's thread pulling mechanism.
  - (5) Presser foot lifter.
4. Remove the material away for the next sewing.
5. Keep the pedal in horizontal position as shown as (Fig. 10-2), the presser foot will put down.
6. Thread the pedal at the backward position of (Fig. 10-3) or (Fig. 10-4) so that the presser foot may lift.

## Note:

- (1) Do not put the lower trimmer to the left thread trimming location when there is no air pressure source in order to prevent damaging the lower trimmer from turning the power switch on.

- (2) 電磁式 (UTR-K 、 UTS-K) 在無通電之狀態時，請勿將下切刀置於左側切線之位置，以免誤動機器電源開關，將下切刀碰撞。
- (3) 壓具下方未放置車縫布料時，請勿操作自動切線機構。

- (2) Do not put the lower trimmer to the left thread trimming location when the electromagnet types (UTR-K, UTS-K) are disconnected lest the power switch should be turned on and the lower trimmer should be damaged.
- (3) When there is no fabric under the presser foot, do not operate the auto trimming system.



## 各部件名稱

## NAMES OF MAJOR PARTS

- |             |                                  |
|-------------|----------------------------------|
| (1) 過線盒     | (1) Thread Guide Box             |
| (2) 導線片     | (2) Thread Guide                 |
| (3) 壓具      | (3) Presser Foot                 |
| (4) 控制箱     | (4) Control Box                  |
| (5) 油鏡      | (5) Oil Windows                  |
| (6) 拉線鬆緊調整組 | (6) Thread Tension Adjusting Set |
| (7) 手輪      | (7) Pulley                       |
| (8) 線架      | (8) Thread Stand                 |
| 安全保護裝置      | Safety Protection Device         |
| (9) 挑線桿防護罩  | (9) Thread Take-up Cover         |
| (10) 護指器    | (10) Finger Guard                |

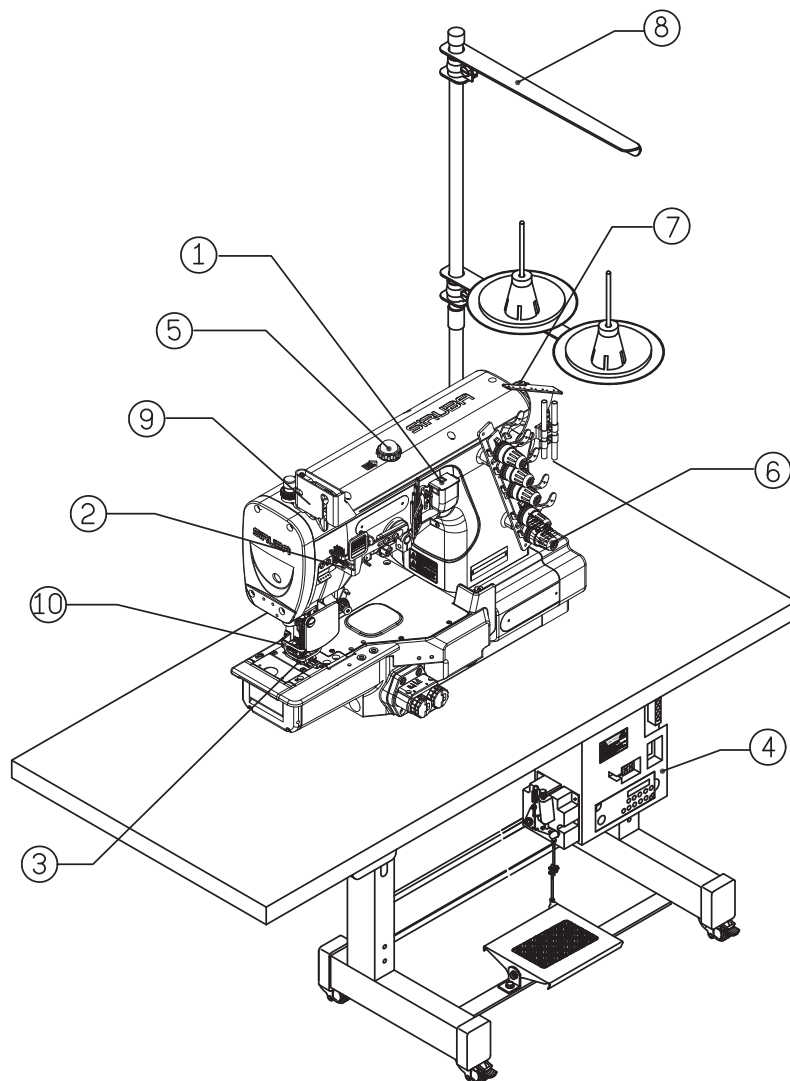


圖11/ Fig.11

## 機種說明

## THE DESCRIPTION OF THE MODEL

### 種類及規格說明

#### 1. 型號及分類表示

### Specifications of machine category

#### 1. Description of the machine name

C 007 K D - W 1 2 2 - 2 4 0 / C H

①                      ② ③                      ④                      ⑤ ⑥                      ⑦ ⑧                      ⑨

①表示機種別：  
C=筒式三針車

②表示車台外觀改良之區分編碼，由F然後G，以英文字母排列如C007K。

③表示加裝伺服馬達。

④W有上叉縫(圖12)。

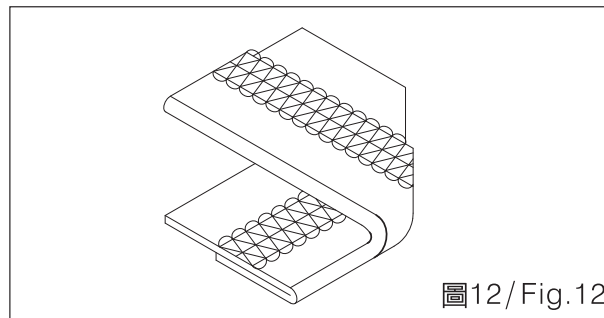
① represents the type of the machine:  
C= Three needles cylinder bed  
chainstitch machine

② represents the improved machine  
appearances that are arranged from  
letter F. Ex: C007K.

③ represents a servo motor added.

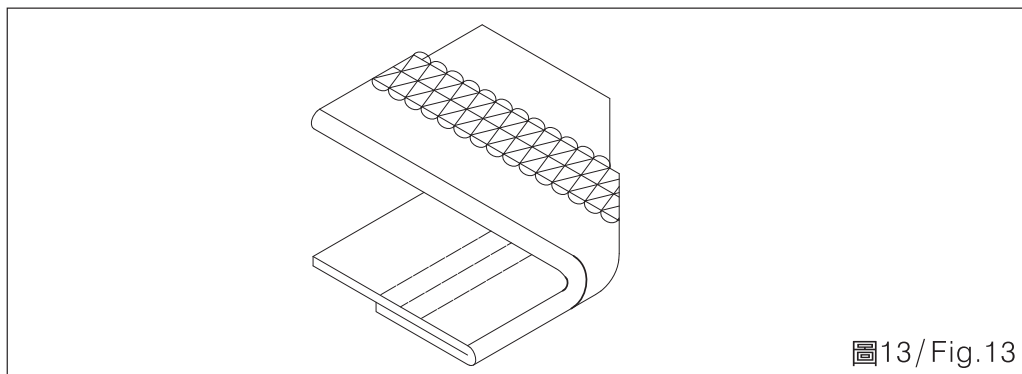
④ shows whether having upper cross  
stitchery or not.

W= have upper cross stitchery (Fig.12)



U無上叉縫(圖13)

U=Without upper cross stitchery (Fig.13)



⑤車縫形式：

- 12= 一般車縫
- 13= 拷下襞
- 15= 三角褲、緊身褲、內褲等棉織物  
伸縮帶上帶縫
  
- 16= 一般厚布料之車縫
  
- 22= 附車縫包條作業
- 32= 包飾縫作業
- 51= 上送式鬆緊帶上帶車縫
  
- 52= 上花邊鬆緊帶
- 53= 環型平織鬆緊帶上帶車縫
  
- 54= 下送式鬆緊帶上帶車縫
  
- 61= 單面飾縫褲耳
- 71= 雙鍊縫
- 72= 褲帶縫作業
- 81= 拷下擺附左切刀
- 82= 鬆緊帶上帶邊縫附左切刀
  
- 92= 三針車四針車縫

⑤is stitching type:

- 12= general seaming
- 13= bottom hemming
- 15= elastic tape feeding for cotton fabric  
such as underwear, and tights pants
- 16= general seaming for normal thick  
materials
- 22= tape binding
- 32= seam covering (decorative stitching)
- 51= elastic tape feeding, upper feeding  
type
- 52= elastic or lace seaming
- 53= elastic tape feed seaming in hooped  
type lockstitch
- 54= elastic tape feeding, lower feeding  
type
- 61= belt loop seaming
- 71= double chain stitch
- 72= pocket lining seaming
- 81= bottom hemming with left trimmer
- 82= elastic tape feeding with left trimmer
- 92= four needles chain seaming

⑥ 表示針板舌片之形狀(針板舌的功能：  
打網)(圖 14)

- 1 為薄布用
- 2 為中厚布用
- 3 為厚布用

⑥ means the shape of the needle plate  
tongue, which its function is to knot.  
(Fig.14)

- 1= for thick/heavy materials
- 2= for midium- thick materials
- 3= for thin/light materials

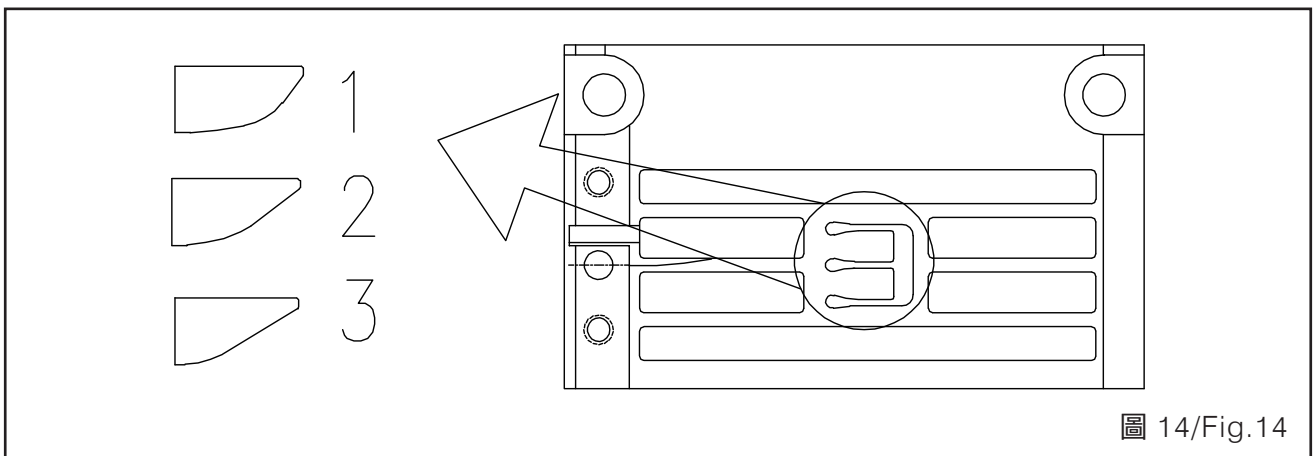


圖 14/ Fig.14

⑦表示縫針線數(圖 15)

2為2針車

3為3針車

4為4針車

⑦ is the number of stitches. (Fig.15)

2= 2 needles sewing machine

3= 3 needles sewing machine

4= 4 needles sewing machine

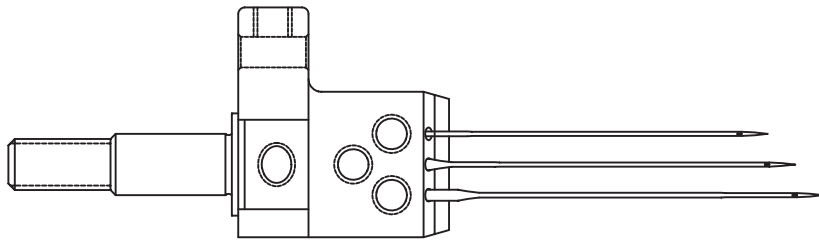


圖15/ Fig.15

⑧針寬(左右縫線針之距離)(圖 16)

⑧ means the needle width (the distance between the left and the right stitch. (Fig.16)

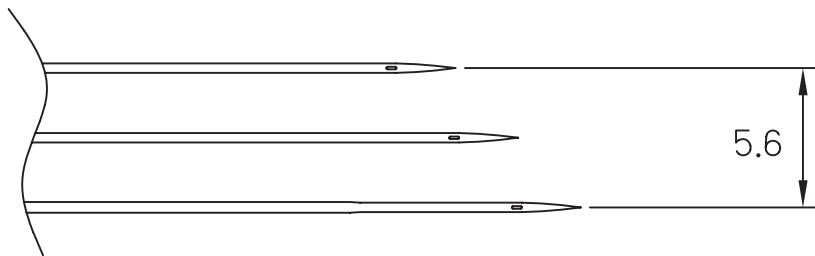


圖16/ Fig.16

3.2mm , 4.0mm  
4.8mm , 5.6mm  
6.4mm

3.2mm , 4.0mm  
4.8mm , 5.6mm  
6.4mm

⑨輔助機型：如CH、CQ、CZ...等等

⑨ is supportive models, such as CH, CQ, CZ, etc.

## 2.用途項目(表1)

## 2.Purpose (Table 1)

| 編號<br>Code | 用途<br>Application                     | 車縫轉速 R.P.M<br>Sewing rotational speed | 縫距 (mm)<br>Max. Stitch length |
|------------|---------------------------------------|---------------------------------------|-------------------------------|
| L          | 用於薄布料<br>For light-weight materials   | 4500                                  | 1~3.6                         |
| M          | 用於中厚布料<br>For medium-weight materials | 4500                                  | 1~3.6                         |
| H          | 用於厚布料<br>For heavy-weight materials   | 4000                                  | 1~3.6                         |

表1/Table 1

## 3.規格

## 3.Specification

| 機型別 Model                                   | C007K/C007KD                           |                                |                              |
|---|--|--------------------------------|------------------------------|
| 規格 Specification                            |  |                                |                              |
| 車縫布料 Sewing materials                       | 薄布料<br>Light material                  | 中厚布料<br>Medium weight material | 厚布料<br>Heavy weight material |
| 車縫轉速(R.P.M)<br>Max. sewing rotational speed | 4500                                   | 4500                           | 4000                         |
| 噪音 Noise                                    | 80dB/4000 R.P.M                        |                                |                              |
| 縫距 Stitch Length                            | 1.4mm~3.6m m                           |                                |                              |
| 針棒行程 Needle bar stroke                      | 29mm                                   | 31mm                           | 35mm                         |
| 使用針 Needle DB×1-DP×5                        | SCHMETZ UY128GAS#70 ORGAN UY128GAS #10 |                                |                              |
| 壓具壓力 Presser foot pressure                  | 4-5KGF                                 | 5-7KG F                        |                              |
| 壓具提升量 Presser foot height                   | 5mm                                    |                                |                              |
| 壓具 Presser foot                             | 可調整性壓具 Adjustable presser foot         |                                |                              |
| 送料具高度 Feed dog height                       | 0.8mm                                  | 1mm                            | 1.2mm                        |
| 重量 Weight                                   | 機頭 Head:45kg 控制箱 Control box: 4.1kg    |                                |                              |
| 機頭空間尺寸 Machine head                         | 長 Long 460mm ×高 Height 400mm           |                                |                              |
| 桌板尺寸 Table specification                    | 605mm×1200mm                           |                                | 605mm×1070mm                 |
| 加油方式 Lubrication                            | 完全自動加油 Automatic lubrication system    |                                |                              |
| 潤滑油 Oil                                     | 提供之專用油 SIRUBA sewing machine oil       |                                |                              |
| 機頭驅動 Machine head driving                   | 直接驅動裝置 Directly driving device.        |                                |                              |
| 馬達 Motor                                    | 最大輸出 600W<br>Max. Output 600W          |                                |                              |
| 控制電路 Control circuit                        | 單相 Single-phase 220V ±15%              |                                |                              |
| 使用電路 Power                                  | 單相 Single-phase 220V ±15%              |                                |                              |
| 電磁線圈驅動電源<br>Solenoid driving power          | 氣動：24V<br>電動：30V                       |                                |                              |

表2/Table 2

## 關於本機的重要安全注意事項

### 1. 搬運作業

- (1) 使用上下二片式的保麗龍將機器包裝防護。
- (2) 放入紙箱內。
- (3) 用手推車或二人用雙手抬動搬運。

### 2. 儲存作業

- (1) 機器不使用時，應用防塵套將其罩上。
- (2) 避免儲存於高於 45 °C 以上的高溫。

### 3. 作業中

機器不要在高於 40 °C 以上的溫度工作。

### 4. 警告

請注意以下警示建議事項。

- (1) 工作區域是危險的。
- (2) 當機器還在運作的時候絕對不要去碰觸針。
- (3) 當在送布料的時候要多加小心。
- (4) 不要把手指放在針與傳送布料的轉具之間。

在貼有警告標示之處請注意。

- (1) 機械動作部分，請注意裝上保護裝置。
- (2) 穿線、換線、調整、清潔時，請注意關閉電源。

## IMPORTANT SAFETY INSTRUCTIONS OF THIS MACHINE

### 1. Transportation

- (1) The machine packed with two piece - up and lower - covers that made of expanded Polystyrene to protect it.
- (2) Put the machine into a carton.
- (3) Use a cart or by two men's hands to move it.

### 2. Storage

- (1) The machine must use duster cover to cover it when it did not work.
- (2) Do not storage the machine over 45 °C .

### 3. Working

The machine doesn't work over 40 °C .

### 4. Warning

Pay attention to the following warning advices:

- (1) Working area is dangerous.
- (2) Never touch the needle if the machine is still running.
- (3) Be careful if you infeed fabric.
- (4) Do not insert your finger between needle and roller for transportation on fabric.

Pay attention to the warning sticker.

- (1) Movable parts must be enclosed with guard when you operate.
- (2) Turn off the power during adjusting, threading, bobbin-changing and needle-cleaning.



## 安裝

## INSTALLATION



## 注意CAUTION



請讓受過培訓的技術人員來安裝縫紉機。  
Machine installation should only be carried out by qualified technician.



請委託購買商店電器專業人員進行電器配線。  
Contact your dealer or a qualified electrician for any electrical work that may need to be done.



縫紉機重45公斤，安裝工作必須由兩人以上來完成。  
The sewing machine weighs 45kg. The installation should be carried out by two or more people.



在安裝完成前，請不要連接電源，如果誤按啓動開關，縫紉機動作會導致受傷。  
Do not connect the power cord until installation is complete. The machine may operate if the treadle is depressed by mistake, which could result in injury.



縫紉機頭倒下豎起時，請用雙手進行操作，單手操作時可能會因縫紉機的重量過重而滑落，而導致受傷。  
Use both hands to hold the machine head when tilting it back or returning it to its original position. If only using one hand, the weight of the machine head may be too heavy to hold, and may cause human physical injuries.

1. 依本機所附桌板製圖及零件組合圖所列之配件，依序安裝防震機座、線架。
2. 馬達之轉向為順時鐘方向，皮帶之鬆緊度以用手指向內壓下 2 公分為宜，同時為了安全起見，請皮帶蓋必須鎖上。(圖 17、18)

1. Before installing machine, please refer to table cut-out drawing, and the necessary attachment as enclosed, to fix cushion base, thread stand.
2. Be sure that the motor turning direction is clockwise, and the motor belt tension can be pressed with finger inward about 2cm. For safety reason, please fasten the belt cover. (Fig.17, 18)

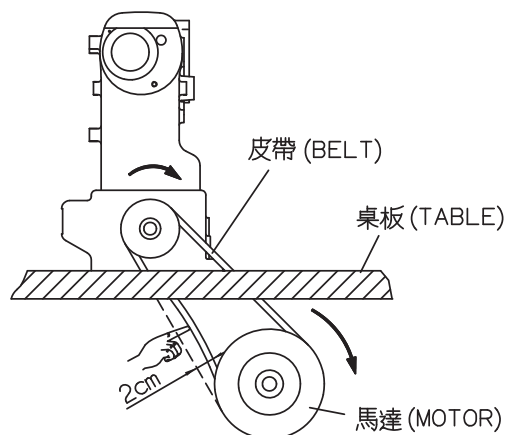


圖17/Fig.17

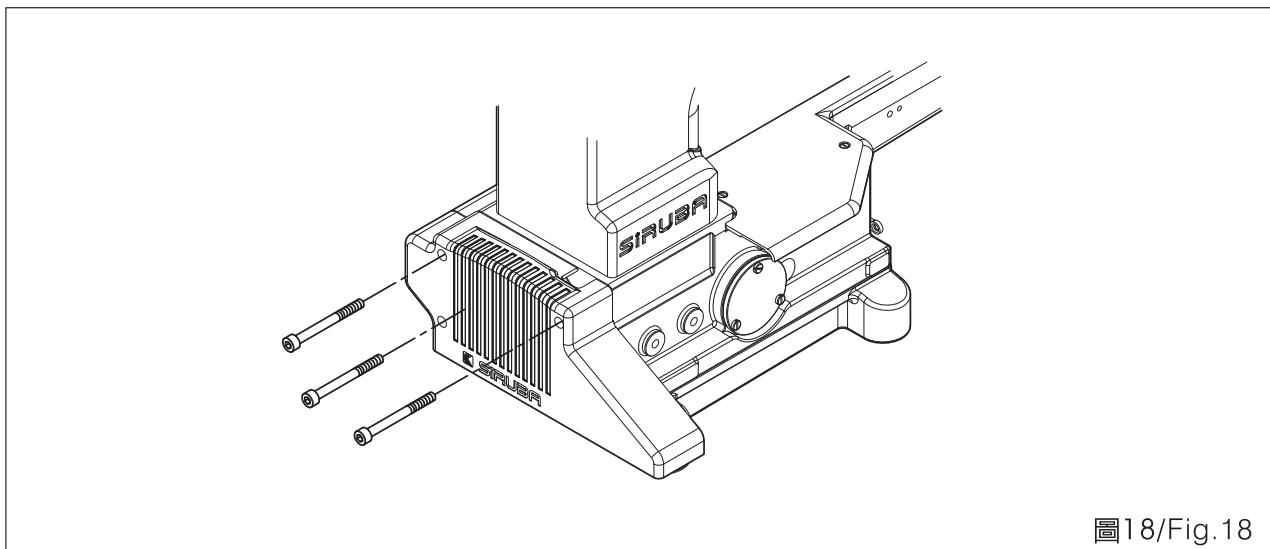


圖18/Fig.18

3. 皮帶輪與縫紉轉度請參照表 3 。

3. Regarding machine speed and motor pulley diameter, please refer to Table 3.

注意：

Remarks:

1. 使用新機器最初一個月運轉速度約為最高轉速之 80% ，並請選擇正確的馬達帶輪尺寸 ( 如表 3) 。

1. During the first month of using the machine, the maximum rotational speed shouldn't exceed 80% of the speed listed in Table 3. Make sure to choose the correct size of motor pulley.

2. 桌板厚度約 45mm 。

2. The standard thickness of Table is about 45mm.

註：皮帶尺寸會因選用馬達的形式，廠家不同而有所差異。

Note: Belt size depend on motor type.

| 轉速<br>R.P.M | 皮帶輪尺寸<br>MOTOR PULLEY SIZE |      | 皮帶尺寸<br>BELT SIZE           |
|-------------|----------------------------|------|-----------------------------|
|             | 60HZ                       | 50HZ |                             |
| 6000        | 105                        | 125  | 36"<br>↑<br>35"<br>↓<br>34" |
| 5500        | 95                         | 115  |                             |
| 5000        | 85                         | 105  |                             |
| 4500        | 80                         | 95   |                             |
| 4000        | 70                         | 85   |                             |

表3/Table 3

## 馬達之安裝方式

安裝步驟：

1. 首先將連軸器(A)依順時針方向的第一顆螺絲(1)，固鎖於大心軸(B)上之長槽孔(3)，接著再鎖緊螺絲(2)。
2. 將橡膠緩衝墊(C)，以單面有2凸台記號(4)那端，對準連軸器(A)上之圓槽(5)後壓緊。
3. 將馬達(D)上之內槽扣孔與橡膠緩衝墊(C)上之凸台(7)互相扣接壓緊結合。
4. 將馬達(D)以螺絲(8)與墊片(9)鎖固於機體上。

注意事項：

若馬達與連軸器未依上述位置正確組裝，將會導致針棒停針的位置點不對；馬達組裝正確情形下，當針棒置於上死點時，針棒的左針與針板面距離約7.8mm。

## INSTALL THE MOTOR

INSTALLATION PROCEDURE:

1. Attach coupling (A) to lower main shaft (B) by fitting the first setscrew (1) to the long groove (3) of shaft, then tighten it and the other setscrew (2).
2. Attach rubber cushion (C) with the side of two projections (4) to coupling (A) by fitting projections to notches (5).
3. Attach motor (D) to rubber cushion (C) by fitting the inside projections to notches (7) on rubber cushion.
4. Use screws (8) and washers (9) to tighten motor (D) on machine body.

CAUTION:

Check to be sure that the “motor and coupling are installed correctly” as so to prevent needle bar from stopping on wrong position. If motor is installed correctly, the distance between the left needle on needle bar and needle plate will be 7.8mm when needle bar is in its highest dead point.

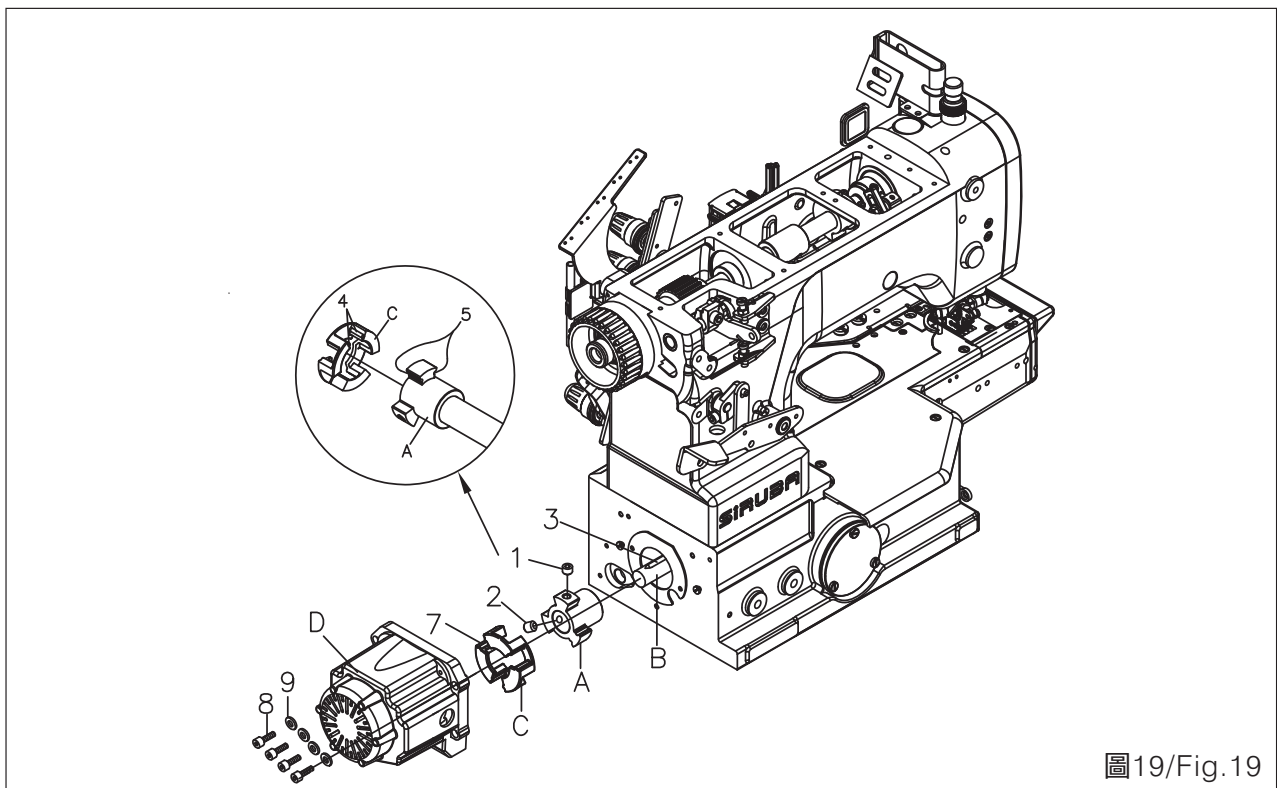


圖19/Fig.19

## 馬達與皮帶

1. 離合器馬達 1/2 馬力 ( 或 400 瓦 )  
， 3 相 2 極 M 番 V 型皮帶。
2. 馬達位置之安裝必須是機器皮帶輪與馬  
達皮帶輪的中心線必須為一直線。

## MOTOR AND BELT

1. Clutch Motor, 1/2 HP (400W), 3 phase, 2  
pole M type V belt.
2. When installing the motor, the center line  
of both motor's and machine's pulley must  
be aligned with each other.

## 穿線方法

請確實按照圖示各種不同縫合情況穿線，  
錯誤之穿線將引起斷線、跳針及車縫不平  
坦等現象，請參照穿線圖。(圖 24)

## THREADING

Follow the procedures shown in Fig.24 for  
threading. Wrong threading may cause  
thread breaking, stitch skipping, puckering  
or unexpected sewing. Please refer to  
THREADING drawing for more details.

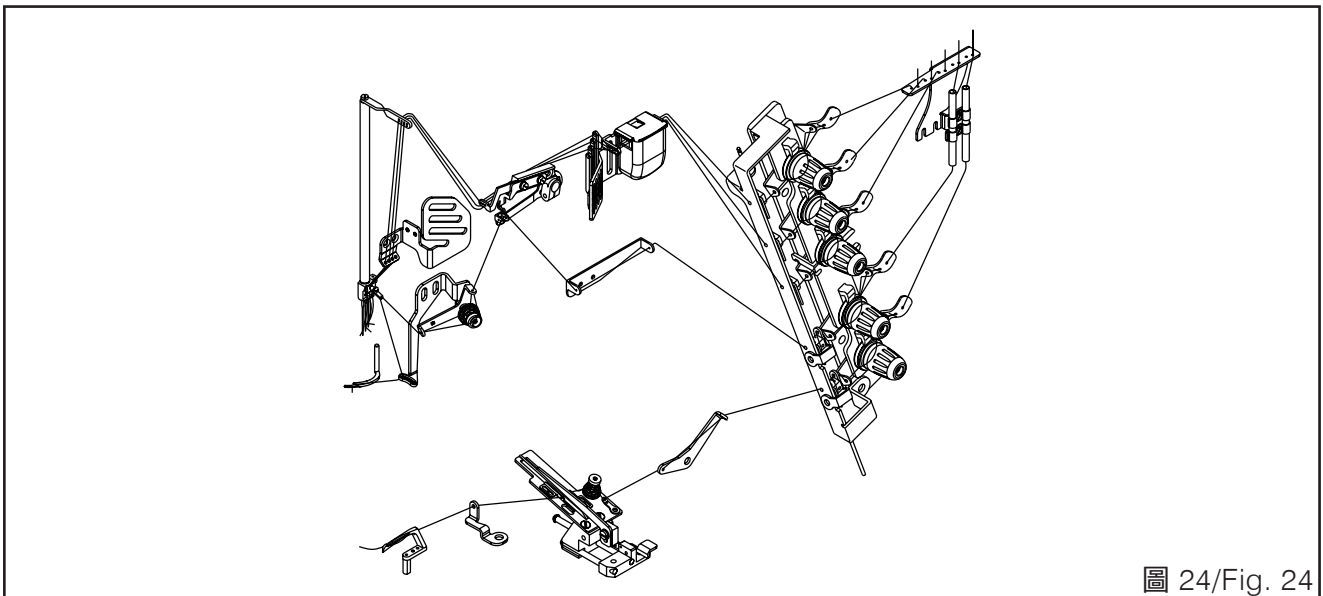


圖 24/ Fig. 24

## 拉線鬆緊度調整

拉線強弱必須根據：

1. 車縫布料種類
2. 料質厚薄
3. 線
4. 縫距

等不同而做調整，將控制鈕順時鐘方向旋轉  
時，線越緊，反之則越鬆。(圖24)

## ADJUST THREAD TENSION

The tension of the thread should be adjusted  
according to:

1. The material type
2. The thickness of the fabric being sewed;
3. The thread;
4. The stitch length.

If you turn the thread tension knob clockwise,  
thread will be tighter. If you turn it counter-  
clockwise, will be looser. (Fig.24)

## 針線挑線桿之調整

## ADJUSTING NEEDLE THREAD TAKE-UP

1. 轉動手輪使針棒位於最低位置時，針線控桿搖臂①的上邊必須成水平，必要時放鬆螺絲④調整之。（圖 25）

1. When turning the pulley and make the needle bar in the lowest position, the top edge of the needle thread take-up ① should remain horizontal. To adjust the position of the take-up if necessary, loosen the screw ④. (Fig.25)

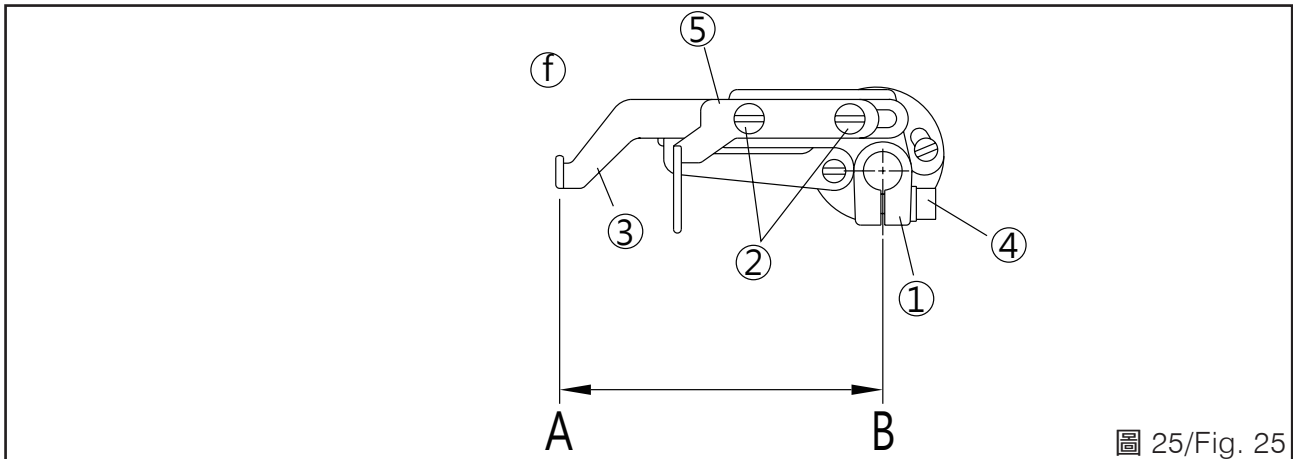


圖 25/Fig. 25

2. 將螺絲②鬆開，調整 A ， B 兩點的距離約 75 mm 再鎖緊。

2. Loosen screw ② to adjust the length between point A and B to be about 75 mm, then fasten it tightly.

註：

欲將針線調鬆時，將挑線桿③向左方向移動。  
欲將針線調緊時，將挑線桿③向右方向移動。

Note:

To loosen the needle thread, turn the needle thread take up ③ toward the left. To tighten the needle thread, turn the needle thread take up ③ toward the right.

3. 上叉挑線桿⑤不要調動。

3. Do not move the spreader thread take-up ⑤ when making above adjustments.

## 上叉挑線桿之調整

## ADJUSTING SPREADER THREAD TAKE-UP

1. 當上叉挑線桿①擺至最高點時，另一張線桿②上的小孔 A 必須與張線桿①上的長溝底同高。（圖 26）

1. When the spreader thread take-up ① is adjusted to the top, the small hole A of the other spreader thread take-up must be at the same level with the long groove of the Spreader Thread Take-up ①. (Fig.26)

2. 必要調整時，先鬆開螺絲③及④，上下擺動上叉挑線桿②，調整後鎖緊之。

2. For necessary adjustment, loosen screw ③ and ④ first, move the Spreader Take-up ② up and down, and then fasten the screws again.

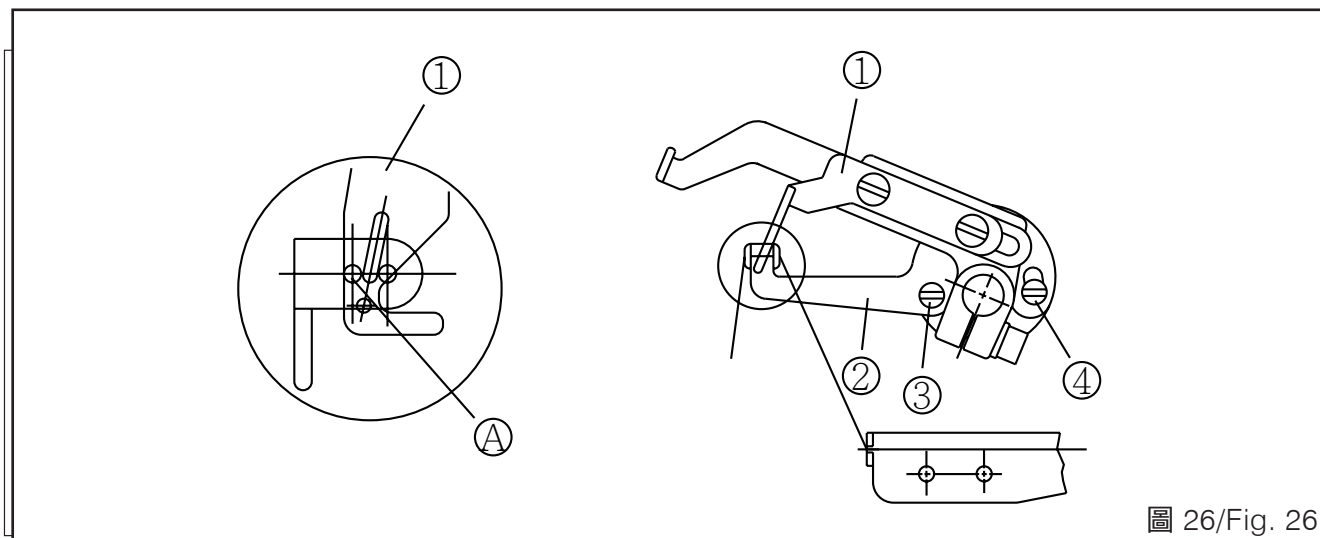


圖 26/ Fig. 26

## 壓具之調整

鬆開螺絲①，左右搖擺，調整壓具②，使針尖端剛好位於如圖示之中心點，調整後，再鎖緊螺絲①。（圖 27）

## ADJUSTING PRESSER FOOT

Loosen screw ① and adjust presser foot ② left and right to a proper position to let the needle may get into the center of presser foot's eyelet. After adjusting, tighten screw ①. (Fig.27)

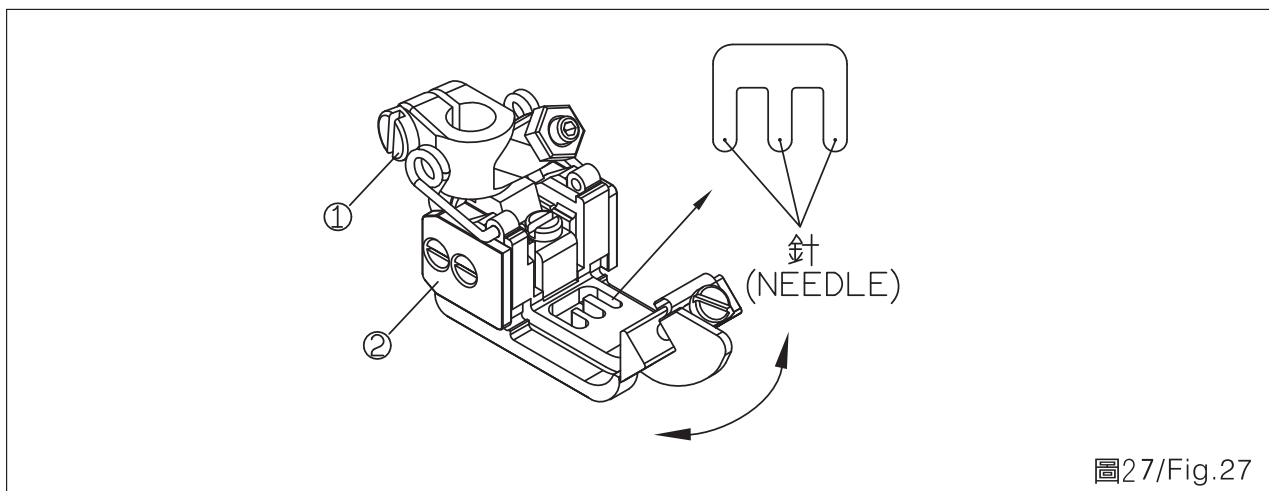


圖27/ Fig.27

## 縫目長度之調整

縫目長度由 1.4~3.6mm 或 7~18 針 / 英寸無階段性調整。（圖 28）

1. 用手調整旋轉旋鈕①即可調整縫目長，調整範圍 1.4~3.6mm，相當於最大行程為 7 針 / 英寸，最小行程為 18 針 / 英寸。

## ADJUSTING STITCH LENGTH

Stitch length can be adjusted variably in range from 1.4~3.6mm or 7~18 stitches per Inch. (Fig.28)

1. Adjust the rotary knob ① by hand to adjust stitch length. The adjustable range is 1.4~3.6mm which is equal to the maximum stroke 7 stitches per inch. The minimum stroke is 18 stitches per inch.

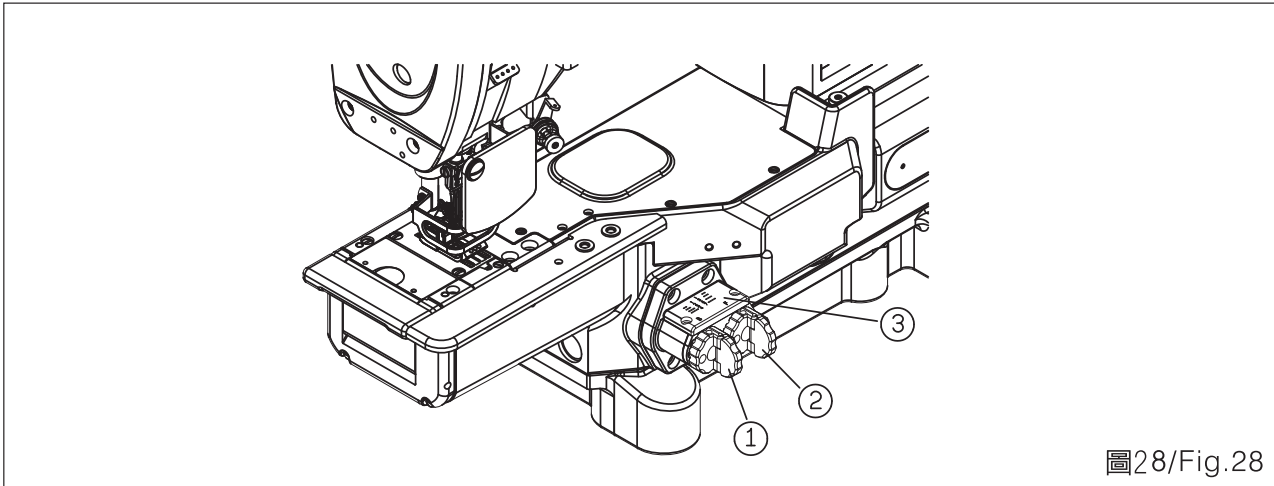


圖28/Fig.28

2. 用手調整旋轉旋鈕①，可立即由刻度板③內之指針對應左側刻痕及數字觀看得知目前的送具齒移動距離。
3. 欲調整長縫目時，將旋鈕①以順時針方向旋轉，反之則小。
4. 針距之調整會使差動比改變，故針距調整後，需接著調整差動比。
2. After manual adjusting the rotary knob ①, the moving distance of current feed teen can be known by the indicated number on the scale plate ③ .
3. Turning knob ① clockwise can lengthen the stitch length, turning it counterclockwise can shorten the stitch length.
4. The adjusted stitch length can affect the differential ratio, so the differential ration should be adjusted after adjusting the stitch length.

### 差動比調整

### ADJUSTING DIFFERENTIAL RATIO

差動比 = 後送齒送具行程 : 前送齒送具行程

The differential ratio = rear feed dog stroke : front feed dog stroke

1. 本機之差動比可從 1:0.9 調整至 1:1.4。
2. 用手調整旋轉旋鈕②即可調整前送齒送具行程。(圖 28)
3. 用手調整旋轉旋鈕②，可立即由刻度板③內之指針對應右側刻痕及數字觀看得知目前的前送齒送具行程。
4. 伸縮布料車縫時，將旋鈕②以順時針方向旋轉。
5. 皺縮布料車縫時，將旋鈕②以逆時針方向旋轉。

1. The differential ratio can be adjusted from 1:0.9 to 1:1.4.
2. Adjust the rotary knob ② by hand to adjust the front feed dog stroke. (Fig.28)
3. After manual adjusting the rotary knob ②, the feed dog stroke can be known by the indicated number on the scale plate ③ .
4. Turning the knob ② clockwise when sewing the elastic fabric.
5. Turning the knob ② counterclockwise when sewing the shrink fabric.

## 壓具壓力強度之調整

## ADJUSTING PRESSURE OF THE PRESSER FOOT

在布料推送順暢且縫合完美之情況下，壓具壓力盡量輕些。（圖 29）

Pressure of the presser foot should be as light as possible, so that cloth can be feed and sewed smoothly. (Fig.29)

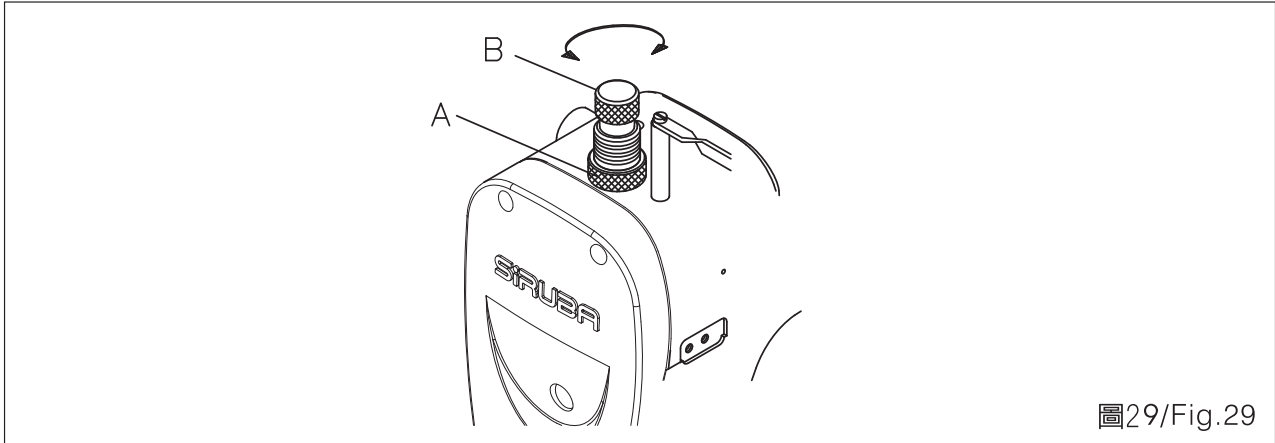


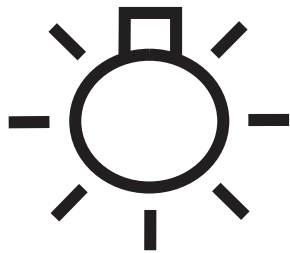
圖29/Fig.29

## 操作環境照明

## LIGHTENING OF THE OPERATION ENVIRONMENT

工業用縫紉品或是縫紉系統必須在該縫紉區域未啓動照明裝置前，禁止插電或通電；照明裝置的最大輸入功率應該能夠輕易辨識，當照明裝置設置或移動的時候，警示標誌也應該設置在照明裝置插座上或是附近。警示標示型式如圖 30 所示。

An industrial sewing unit or sewing system must always be unplugged from the local lighting of the sewing area before relamping, the marking of maximum rated input of a lamp shall be easily discernible while the lamp is being installed on or near the lamp socket as shown on Fig. 30.



額定功率.....100W  
Lamp Max.....100W

圖30/Fig.30



## 操作者條件

1. 熟讀並了解使用說明書內容。
2. 認識機器各部功能及注意事項。
3. 了解警告標籤之意義。
4. 了解熟悉機器之操作方式。
5. 操作者必須保持精神狀態良好。
6. 操作者須穿著合宜適當之工作服。
7. 視需要培養操作者使用機器之熟練度。

## CONDITIONS OF ALL OPERATORS

1. Read and understand well the content of this instruction book.
2. Know the functions of major parts and understand the notices.
3. Truly realize the meanings of all warning tags.
4. Realize and be familiar with how to operate this machine.
5. Operators have to keep well mental status.
6. Operators shall wear appropriate and proper working suits.
7. Develop the familiarity of how to operate the machine if needed.

## 保養

## MAINTENANCE



### 注意CAUTION



清潔作業前，請切斷電源。當誤觸啓動開關時，縫紉機動作易導致人員受傷。  
Turn off the power switch before carrying out cleaning. The machine may operate if the treadle is pressed incautiously, which could result in injury.



加潤滑油和黃油時，務必戴好保護眼鏡和手套，以防潤滑油進入眼中或沾在皮膚上，易引起發炎。

Be sure to wear protective goggles and gloves when handling the lubricating oil and grease so that they do not get into your eyes or onto your skin, otherwise inflammation can be resulted.



潤滑油或黃油不能飲用，否則將會引起嘔吐和腹瀉，將油放在小孩拿不到的地方。  
Furthermore, do not drink or eat the oil nor the grease for they can cause vomiting and diarrhea. Keep the oil away of the reach of children.



縫紉機頭倒下或豎起時，請以雙手進行操作。  
Use both hands to hold the machine head when tilting or returning it to its original position..

單手操作時，因縫紉機的重量較重，萬一滑落易導致受傷。

If only using one hand to move the machine, the weight of the machine head may cause slipping and you may get hurt.

為了保持縫紉機的機能，且能長久的使用，請每日加以保養。另外，縫紉機如果長時間未使用，請依定期保養項目(表4)內各項進行保養後再使用。

For keeping the machine quality and lengthening the usage term of this sewing machine, please maintain it everyday. In addition, before first use after a long idling time, please follow the following the periodical maintenance items (Table 4) to maintain.

## 《清潔送料具保養方式》

1. 抬起押具
2. 將兩個螺絲①拆下，然後拆下針板②。

## 《Maintain the feed dog》

1. Raise the presser foot.
2. Remove two screws①, and then remove the needle plate②.

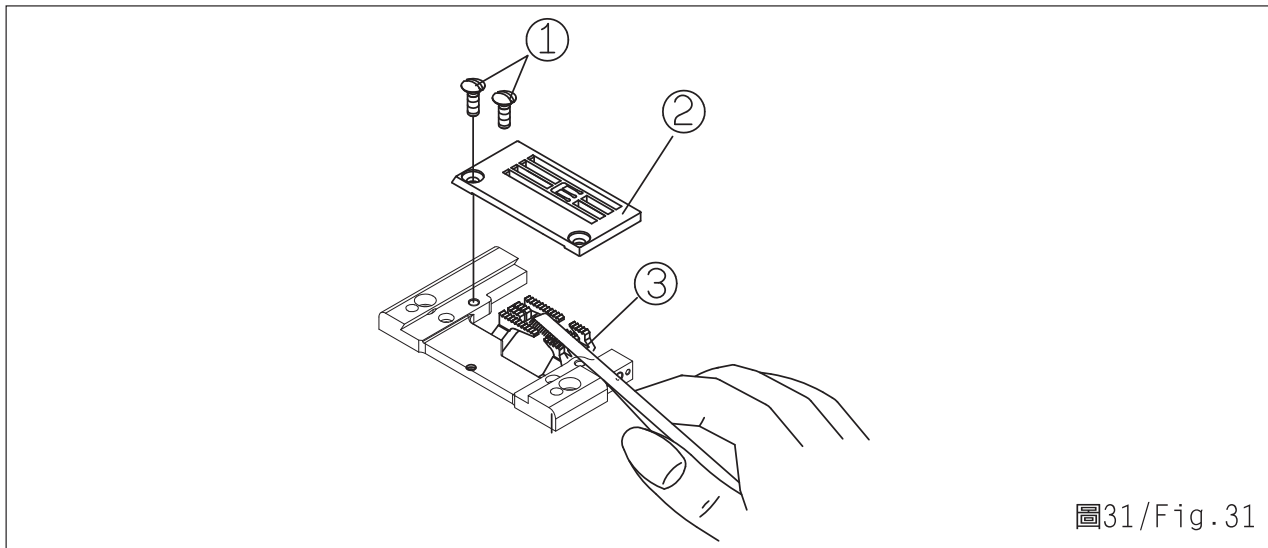


圖31/ Fig. 31

3. 以軟毛刷清除送布牙③上的布屑。(圖31)

3. Use a soft brush to clean dust and lints on the feed dog teeth③. (Fig.31)

4. 清潔後將針板②裝上。

4. Install the needle plate② after doing the above cleaning.

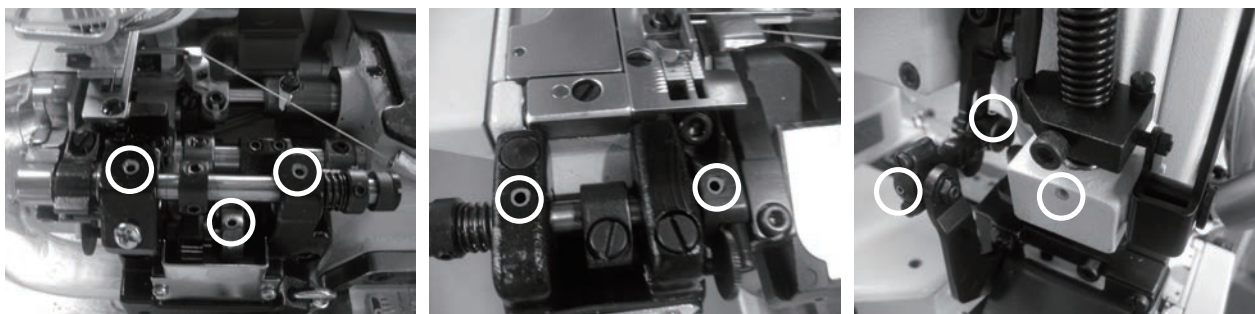
## 《加油孔潤滑的保養》

1. 將布屑和灰塵清掃乾淨；
2. 每週定期在加油孔的位置加注潤滑油，需加注潤滑油的位置如下圖：

## 《Maintenance of lubrication in the fueling holes》

1. Cleanse the fiber and dirt.
2. Weekly add the lubrication in the fueling holes.

The positions needed to be added lubrication as below :



| 保養循環<br>Maintenance Cycle | 保養項目<br>Maintenance Items   |
|---------------------------|---|
| 每天<br>Daily               | 1. 清潔送料具上之棉絮。<br>1. Clean the lint on the feed dog.   |
|                           | 2. 檢查油盤是否有足夠之液態油。(油量在油鏡之上、下兩紅漆記號間)<br>2. Check if there has enough liquid oil inside the oil pan. (The amount should be between the red up and down paint mark of the oil level gauge.) |
|                           | 3. 保持機器及操作台清潔。<br>3. Keep the machine and the operation table clean.  |
| 每週<br>Weekly              | 1. 保持電源外觀乾淨。<br>1. Keep the power cords looking clean and neat.   |
|                           | 2. 保持操作面板乾淨。<br>2. Keep the operational panel clean.  |
|                           | 3. 檢查電源零件是否鬆脫或在正確位置。<br>3. Check if the power parts is loosening or still at the right position.  |
| 每三個月<br>Quarterly         | 1. 更換油盤內之液態油。<br>1. Replace the liquid oil inside the oil pan.  |
| 每年<br>Annually            | 1. 檢查傳動皮帶是否疲乏或毀損。<br>1. Check the transmission belt to see if it is weariful or damaged.  |

表4 / Table 4

## 潤滑

## LUBRICATION

- 請選用 MOBIL#10 或 ESSO#32 或同級之潤滑油。
- 由於新機器在裝運前已將油倒盡，因此新機器在使用前必須注入新油，轉開螺絲 A 將油注入機器中，待油量滿至油標指示上下線之間即可。(圖 32、33)

- Please use Mobil#10 or ESSO#32 or its Equivalent oil.
- The lubricating oil has been drained from the machine before delivery. Therefore, before using the new machine, remove screw (A), and fill the oil until the oil level is between the high/low indicate lines of oil level gauge. (Fig.32,33)

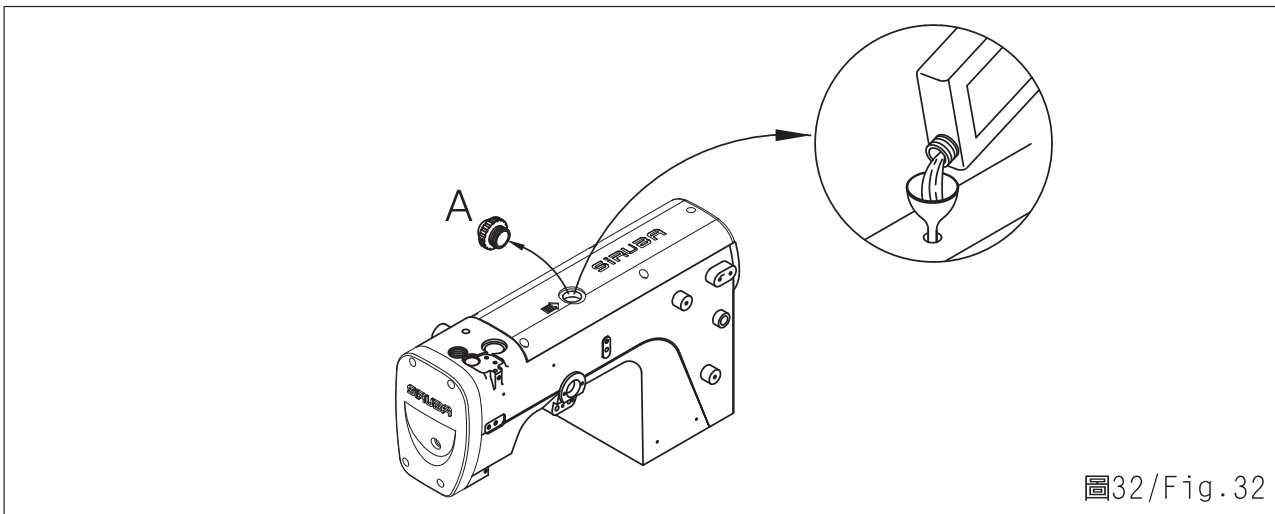


圖32 / Fig.32

3. 每天必須檢視，如果油已低於游標指示窗之下限，必須加注新油，當機器開始運轉，操作前，檢示必須整個潤滑系統使否順暢。

\* 開箱之新機器或許久未使用而重新要使用時，請在針棒上下部份加油潤滑。

3. Be sure to check every day and refill the oil, if oil level is lower than line L of oil level gauge.

\* Before starting a brand new machine or a machine which has not been used for more than a couple of week, oiling the needle bar.

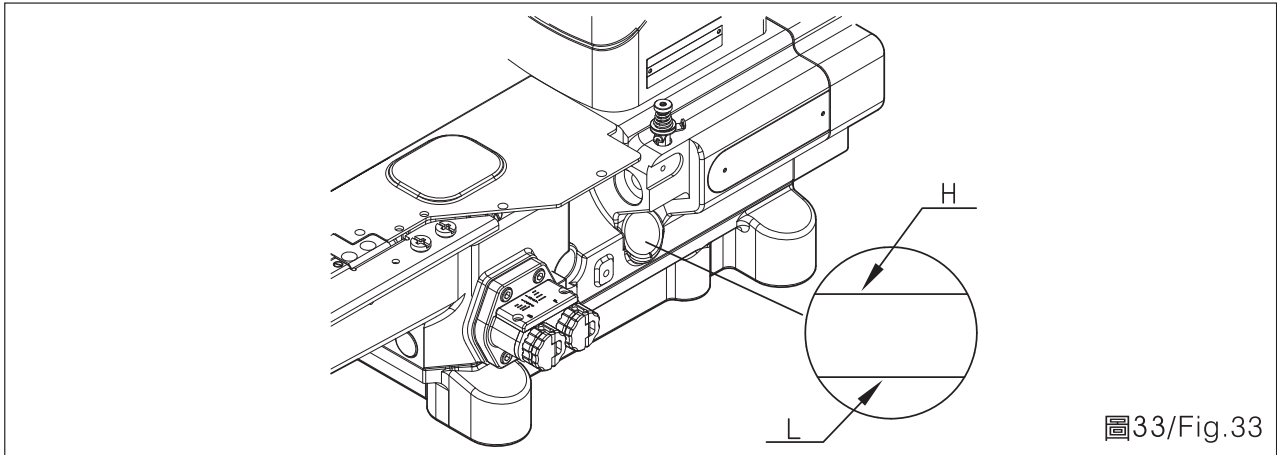


圖33/Fig.33

## 針與線之冷卻與潤滑

## LUBRICATE AND THE COOLING OF NEEDLES AND THREADS

將矽油注入①及②油槽以防止斷線。(圖34)

Fill reservoir ① and ② with silicon oil to prevent the thread from breaking. (Fig.34)

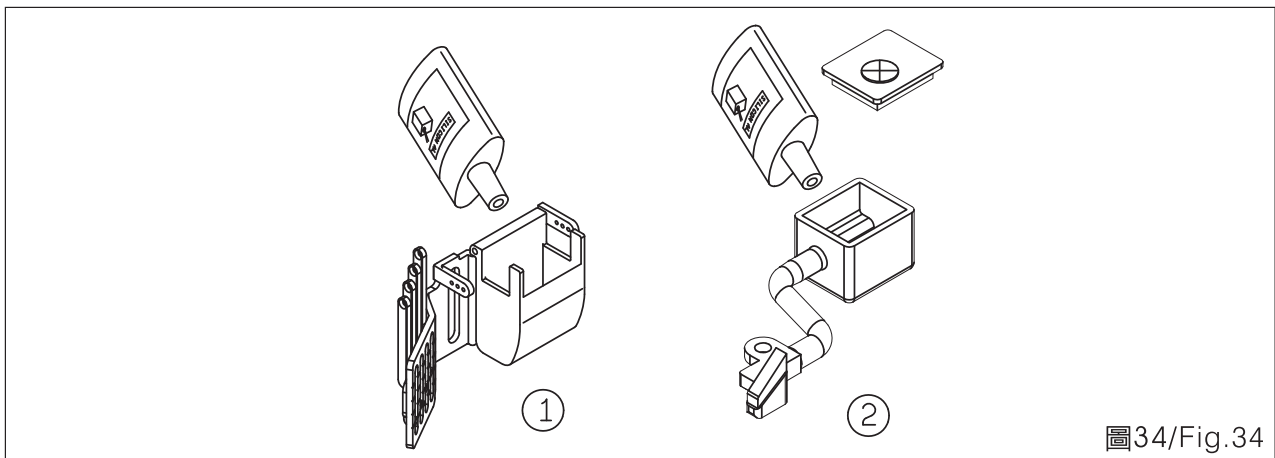


圖34/Fig.34

## 潤滑油之更換

## CHANGE THE LUBRICATION OIL

1. 將螺絲 D 鬆開，使油槽之油完全排出後再鎖緊。(圖 35)

2. 為延長本機器壽命，請於開始使用一個月後更換新油，爾後約每四個月更換一次。

1. Loosen screw D and fasten it after drain all the oil from the tank. (Fig.35)

2. For extending the life of the machine, change oil after the first month operation. After that, change oil every four months.

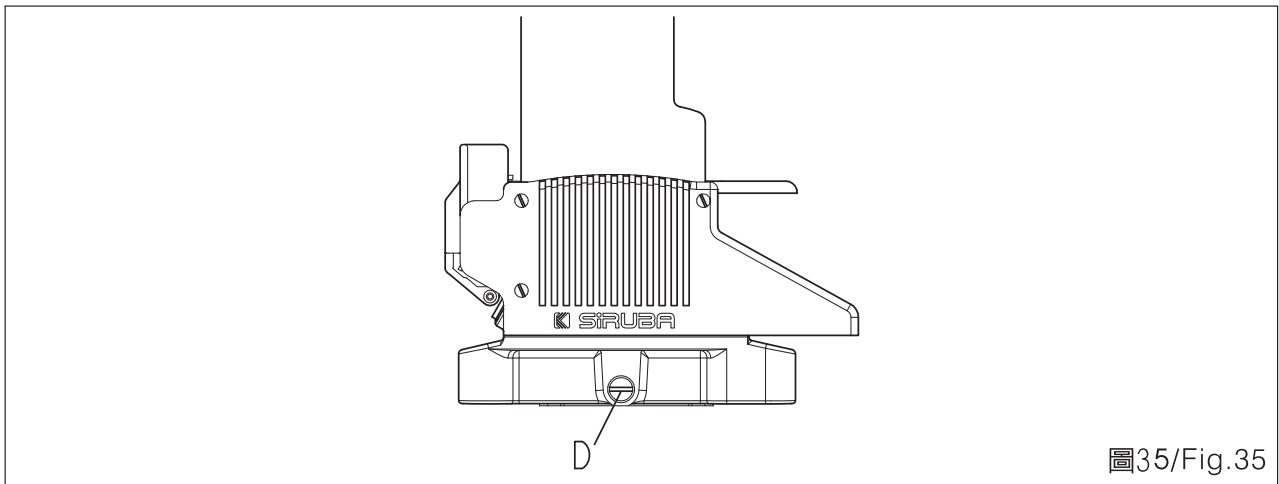


圖35/Fig.35

## 濾油器之更換

## CHANGE THE OIL FILTER

本機器特別裝有濾油器，約每使用一個月後應卸下清洗，必要時得換新品。（圖 36）

This machine is equipped with an oil filter, and the filter must be cleaned every month. Replace the filter if necessary. (Fig.36)

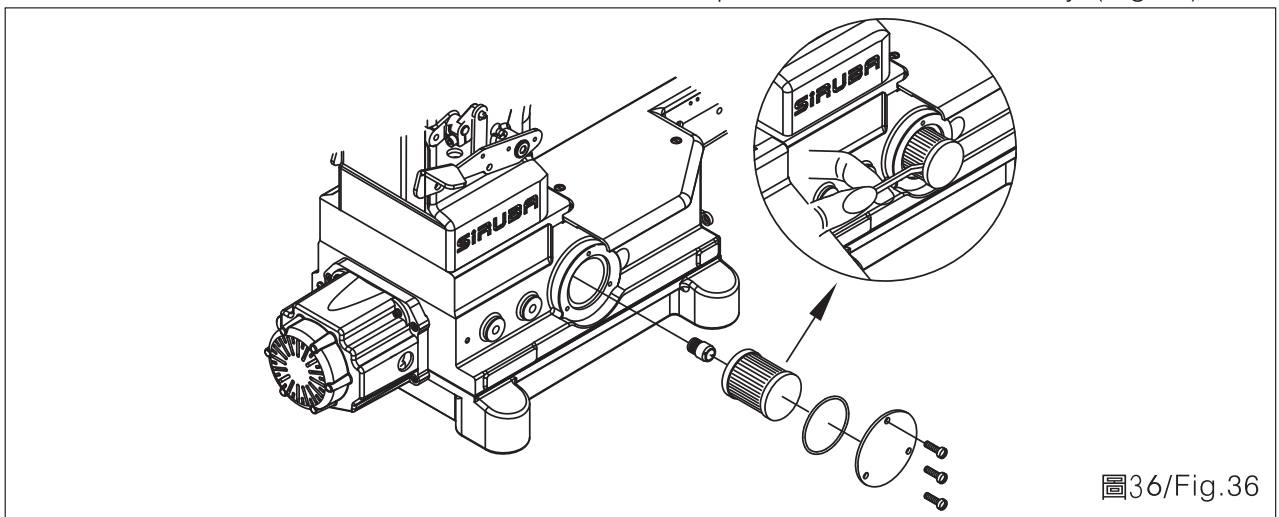


圖36/Fig.36

## 針之更換

## REPLACE THE NEEDLE

1. 選用針之規格與尺寸請參照 ( 表 5 )
2. 旋開螺絲①並取下針，將新針插至針座最底端，並使針之長溝面向自己。( 圖 37 )
3. 重新鎖緊螺絲①。

\*特殊機種針之代號請參考規格件表。

1. See Table 5 for the sizes and the specifications of the needles.
2. Loosen screw ① , then pull out the used needles. Insert the new needles into the holder holes as far as they can go, and let the long groove of the needle face you. (Fig.37)

3. Fasten screw ① .

\* Needle size of special model, please refer to conversion chart.

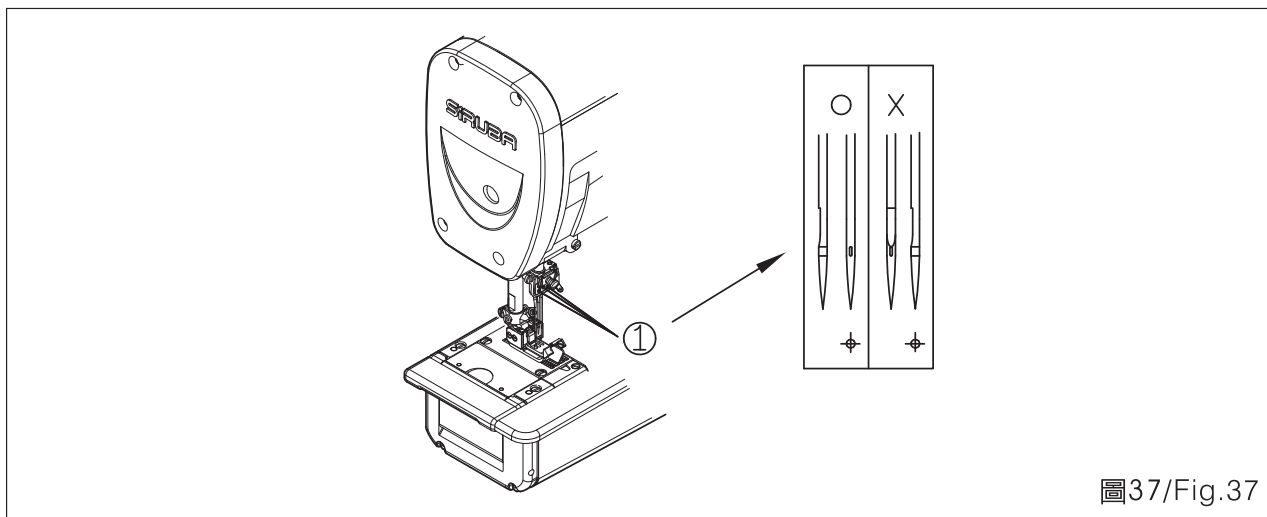


圖37/Fig.37

| 針代號 Needle System | 針尺寸 Needle Size |              |              |
|-------------------|-----------------|--------------|--------------|
|                   | 2針 2 Needles    | 3針 3 Needles | 4針 4 Needles |
| ORGAN UY128GAS    | #10             |              |              |
| ORGAN SM1014B     |                 |              | #10          |

表5/Table 5



## 注意CAUTION



在進行故障檢修查詢之前，請先關閉電源並拔出電源，否則如果誤觸啓動開關，縫紉機會動作，易導致人身受傷。

Before processing the troubleshooting, please turn off the power switch and unplug the electronic cord. Otherwise, if touching the start switch incautiously, the sewing machine will function and will probably cause injuries happened on operators.

| No. | 現象<br>Problem                                   | 檢查及調整<br>Exam and Adjustment   |
|-----|---|--|
| 1.  | 針線太過緊密/疏鬆<br>Needle thread too tight/ loose     | <ul style="list-style-type: none"> <li>●針線張力是否過大或過小？<br/>The tension of the needle thread is too loose or too tight?</li> <li>◎調整針線張力。<br/>Adjust the needle thread tension.</li> </ul>  |
| 2.  | 針線的跳線現象<br>The skipping stitch of needle thread | <ul style="list-style-type: none"> <li>1.車針的選擇不對？<br/>Choose the wrong needle?</li> <li>◎選擇配合布料的車針與縫線號碼。<br/>Select the needle and thread number match the fabrics.</li> <li>2.車針不良？<br/>Bad needle?</li> <li>◎換新車針。<br/>Change a new needle.</li> <li>3.穿線方式不正確。<br/>Incorrect threading.</li> <li>◎按照穿線圖。<br/>Follow the threading diagram.</li> <li>4.車針安裝不正確。<br/>Incorrect needle installation.</li> <li>◎重新安裝車針，使車針長槽朝向操作者。<br/>Reinstall the needle to make the long slot of needle face the operator.</li> <li>5.車針針尖斷或彎曲。<br/>The needle tip is broken or bent.</li> <li>◎換新車針。<br/>Change a new needle.</li> <li>6.勾針針尖變鈍。<br/>The looper tip is blunt.</li> <li>◎使用油石或細砂紙修磨，或換新勾針。<br/>Polish by the oilstone or fine emerypaper. Or replace with new looper.</li> <li>7.勾針線張力太大或太小。<br/>The looper tension is too loose or too tight.</li> <li>◎適當調整縫線張力。<br/>Adjust the thread tension properly.</li> </ul> |


| No. | 現象<br>Problem                                    | 檢查及調整<br>Exam and Adjustment   |
|-----|--|--|
| 2.  | 針線的跳線現象。<br>The skipping stitch of needle thread | <p>8. 勾針不能套住右邊車針的線環，造成勾針線的右邊線跡跳針。<br/>           The looper can't hook the right needle thread loop and cause the right stitch of looper thread skipped.<br/>           ◎主因為車針線環太小，增加挑線量。<br/>           Because the needle thread loop is too small which increase the thread take-up amount.</p> <p>9. 勾針不能套住左邊車針的線環，造成勾針線的左邊線跡跳針。<br/>           The looper can't hook the left needle thread loop and cause the left stitch of looper thread skipped.<br/>           ◎主因為車針線環太大，減少挑線量。<br/>           Because the needle thread loop is too big which decrease the thread take-up amount.</p> <p>10. 勾針無法勾住中間與左邊直針線環，勾針線的中針線與左針線跳針。<br/>           The looper can't hook the middle and left straight needle thread loop which cause the middle and left stitch of looper thread skipped.<br/>           ◎依標準調整車針與勾針的勾線關係，使車針線環大小適當。<br/>           According to the standard to adjust the looper thread connection between needle and looper and make proper needle thread loop size.</p> <p>11. 勾針無法勾住中間與右邊直針線環，勾針線的中針線與右針線跳針。<br/>           The looper can't hook the middle and right straight needle thread loop and cause the middle and right stitch skipped.<br/>           ◎檢查縫線是否有穿過夾線器，控線凸輪的同步關係，有問題依標準進行調整。<br/>           Check if the thread pass through the thread gripper and the synchronization relationship of thread controlling cam. If there is any problem, adjust it according to the standard.</p> <p>12. 勾針與車針配合不當。<br/>           The looper and needle didn't cooperate well.<br/>           ◎檢查針桿高度，車針與勾針之間的同步。<br/>           Check the needle lever height and the synchronization between needle and looper.</p> <p>13. 車針與護針片配合不當。<br/>           The needle and the needle guard plate didn't cooperate well.</p> |



| No. | 現象<br>Problem  | 檢查及調整<br>Exam and Adjustment  |
|-----|--|---|
| 2.  | 針線的跳線現象。<br>The skipping stitch of needle thread                     | <p>◎檢查車針與護針片位置，如有問題，按標準進行調整。<br/>Check the position of needle and needle guard plate. If there is any problem, adjust it according to the standard.</p> <p>14.車針與上勾針配合不當，或上勾針位置不對，造成上勾針跳針。<br/>The needle and up looper didn't cooperate well or the incorrect up looper position cause the up looper skipped.</p> <p>◎檢查車針與上勾針的配合尺寸及上勾針出線量，如有問題，按標準進行調整。<br/>Check the size of needle and up looper and the thread output amount of up looper. If there is any problem, adjust it according to the standard.</p>   |
| 3.  | 縫紉開始時出現跳針或脫線<br>Skipped stitches or unraveled thread at sewing start | <p>1.機針過粗。<br/>The needle is too thick.</p> <p>◎使用比現有機針小一號的機針。<br/>Try using a needle with a count that is one lower than the current needle.</p> <p>2.縫紉開始時，縫紉速度過快。<br/>The sewing speed is too fast at the sewing start.</p> <p>◎使用慢速起縫。<br/>Use the slow start feature.</p>  |
| 4.  | 斷線<br>Thread broken  | <p>1.穿線方法不正確。<br/>Incorrect threading.</p> <p>◎按穿線圖重新穿線。<br/>According to the threading diagram to re-threading.</p> <p>2.車針安裝不正確。<br/>Incorrect needle installation.</p> <p>◎重新安裝車針，使車針溝朝向操作者。<br/>Reinstall the needle to make the needle slot face the operator.</p> <p>3.縫線張力過大。<br/>The thread tension is too strong.</p> <p>◎適當調整縫線張力。<br/>Adjust the thread tension properly.</p> <p>4.縫線質量太差。<br/>Bad thread quality.</p> <p>◎改用適當縫線。<br/>Change to use the proper thread.</p> <p>5.縫線比針孔粗。<br/>The thread is wider than the needle hole.</p> <p>◎改換適中的縫線或針。<br/>Change to use the proper thread or needle.</p> |

| No. | 現象<br>Problem       | 檢查及調整<br>Exam and Adjustment  |
|-----|---------------------|---|
| 4.  | 斷線<br>Thread broken | <p>6.車針、勾針、針板、壓具舌、過線孔等過線處有毛次或有刮傷現象。<br/>The needle, looper, needle plate, presser foot tongue and thread crossing hole is blunt or scratching.</p> <p>◎用油石或細砂紙重新修磨，或更換新零件。<br/>Use oilstone or fine emerypaper to polish or replace the parts.</p> <p>7.縫線車縫厚布料產生繞線現象。<br/>Sewing the heavy material cause the thread winding.</p> <p>◎降低車縫轉度，添加矽油降低針及線摩擦溫度。<br/>Decelerate the sewing rotational speed and applying silicon oil to lower the friction temperature between needle and thread.</p>   |
| 5.  | 斷針<br>Needle broken | <p>1.車針的選擇不對。<br/>Choose the wrong needle.</p> <p>◎在布料不發生針孔的範圍內，使用粗一點的車針。<br/>Use thick needle within the range that there will be no pinhole occurred on the fabric.</p> <p>2.壓具安裝不良。<br/>Improper assembling of the presser foot.</p> <p>◎安裝時必須使用車針會插進壓具落針處中央。<br/>During assembly, make sure the needle can insert to the central point of the presser foot.</p> <p>3.送具安裝高低位置不對。<br/>The assembling height of feed dog is wrong.</p> <p>◎調整送具的高度，送齒高於針板0.8~1 mm，同時保持適當壓具壓力。<br/>Adjust the feed dog height to make the feed teeth in 0.8~1 mm higher that the needle plate and keep the appropriate presser foot pressure.</p> <p>4.縫線不良。<br/>Bad threading.</p> <p>◎縫線有結頭要事先加以處理後，重新穿線。<br/>If there is any connecting part of the thread, it needs to be dealt first. Then, threading.</p> <p>5.車針安裝不正確。<br/>Improper needle installing.</p> <p>◎依說明書正確安裝方式，進行安裝。<br/>Install the needle correctly by following the instruction book.</p> <p>6.車針彎曲或針尖斷裂起毛或針孔被堵住。<br/>The needle is bent, the needle tip broken, or the needle hole is blocked.</p> <p>◎更換機針。<br/>Replace the needle.</p> |

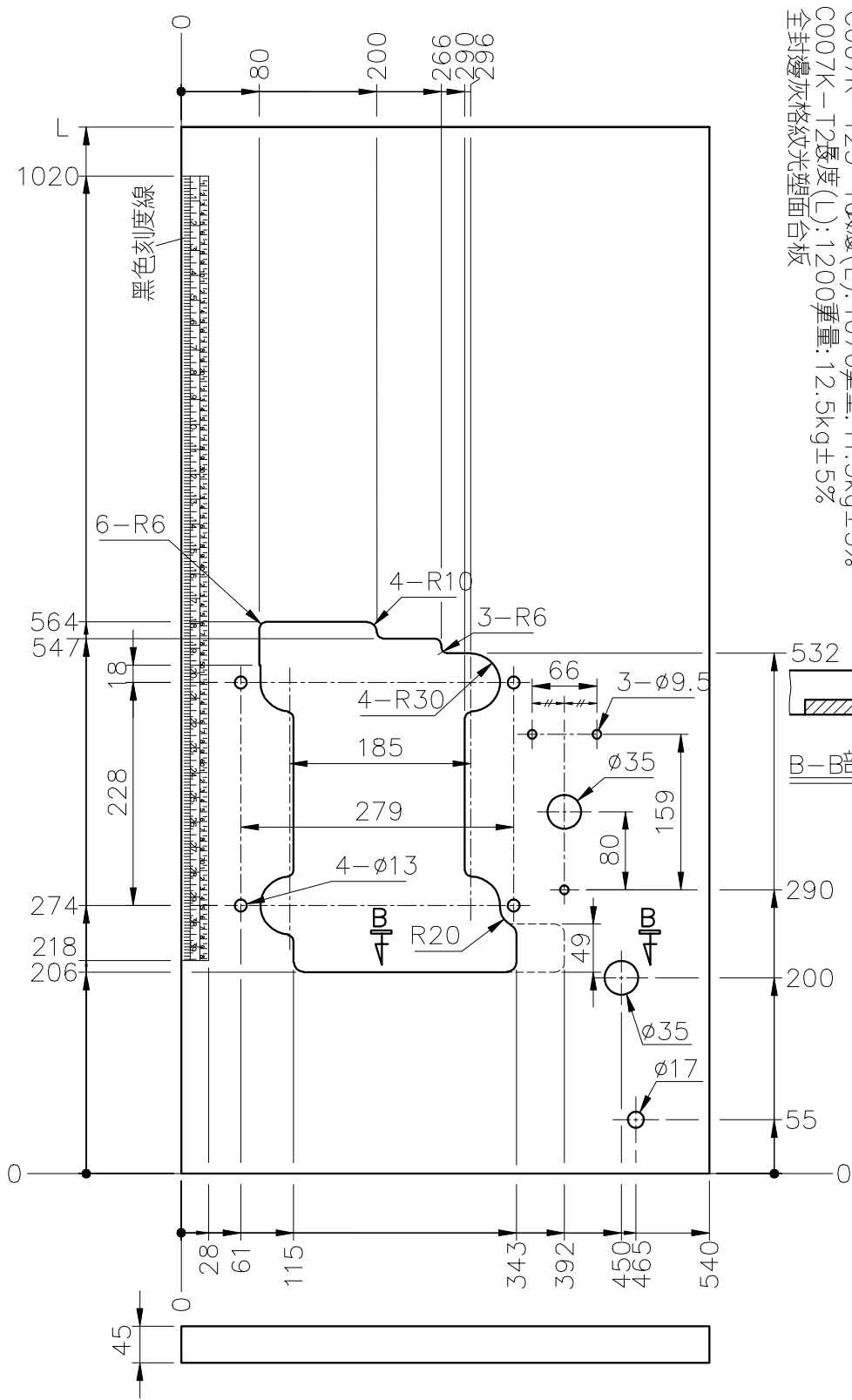
| No. | 現象<br>Problem       | 檢查及調整<br>Exam and Adjustment  |
|-----|---------------------|---|
| 5.  | 斷針<br>Needle broken | <p>7. 壓具壓力過小、送布不良。<br/>The presser foot pressure is small or the fabric feeding is improper.<br/>◎增加壓腳壓力，使送布正常。<br/>Increase the presser foot pressure to adjust the fabric feeding properly.</p> <p>8. 勾針與車針相碰。<br/>The looper contact the needle.<br/>◎按標準調整勾針與車針位置。<br/>Adjust the position of needle and looper according to the standard.</p> <p>9. 上勾針與車針相碰。<br/>The up looper contact the needle.<br/>◎按標準調整上勾針與車針位置。<br/>Adjust the position of the upper looper and needle according to the standard.</p> <p>10. 車針與護針片配合不當。<br/>The needle and needle guard plate didn't cooperate well.<br/>◎按標準調整車針與護針片位置。<br/>Adjust the position of the needle and needle guard plate according to the standard.</p> <p>11. 勾針尖鈍。<br/>The looper tip is blunt.<br/>◎更換勾針。<br/>Replace the looper.</p> <p>12. 針桿與針桿套筒磨損過大，使車針與針桿套配合鬆動。<br/>The needle lever and needle lever sleeve is worn out so the needle and needle sleeve become loose.<br/>◎更換針桿或針桿套筒。<br/>Replace the needle rod or needle rod sleeve.</p> <p>13. 針板上容針孔太小。<br/>The needle hole on the needle plate is too small.<br/>◎更換小號車針或更換容針孔較大針板。<br/>Replace the smaller needle or the needle plate with bigger needle hole.</p> <p>14. 零件鬆動過大。<br/>The parts is over-loosing.<br/>◎檢查各機構之間配合與磨損狀況，按標準調整配合尺寸，對於磨損嚴重機件進行更換。<br/>Check cooperation and wear condition among the mechanism and adjust the size according to the standard. Replace the part which is worn out seriously.</p> |

| No. | 現象<br>Problem                    | 檢查及調整<br>Exam and Adjustment  |
|-----|----------------------------------|---|
| 5.  | 斷針<br>Needle broken              |  <b>注意CAUTION</b><br>請儘可能找出斷掉的機針，避免斷針掉入縫製物造成刺傷人的危險。<br>In order to prevent the broken needle sticking in the material and stab people so please search for broken needle until the whole of the needle is found.   |
| 6.  | 線跡不規則<br>Uneven stitch           | 1.車針太低使車針線環形成太大，使線圈之間相互交織在一起。<br>The lower needle cause the big thread loop and make the thread loop intertwist together.<br>◎按標準重新定位車針高度。<br>Reset the needle height by following the standard.<br>2.針板舌頭部太窄，使車針圈容易產生併攏而線跡產生不規則。<br>The needle plate tongue is too narrow which make the needle come close easily and have uneven stitch.<br>◎更換新針板。<br>Replace with the new needle plate.<br>3.車針與勾針配合不良。<br>The needle and looper didn't cooperate well.<br>◎按標準調整車針與勾針配合位置。<br>Adjust the needle and looper position by following the standard. |
| 7.  | 縫線不平整<br>Uneven Seam             | 1.壓具壓力過小？<br>The presser foot pressure is too weak?<br>◎調整壓具壓力。<br>Adjust the presser foot pressure.<br>2.送具送齒過低。<br>The feed dog teeth is too low.<br>◎調整送具送齒高度。<br>Adjust the feed dog teeth height.  |
| 8.  | 縫布料皺起<br>The fabric is puckering | 1.差動送布比率不當。<br>The improper differential fabric feeding ratio.<br>◎適當調整差動送布比率。<br>Adjust the differential fabric feeding ratio properly.<br>2.送具送齒高低前後位置不當。<br>The improper position of feed dog teeth.<br>◎按標準調整送具送齒高低。<br>According to the standard to adjust the feed dog teeth height.<br>3.縫線張力過大。<br>The stitch tension is too strong.<br>◎適當調整縫線張力。<br>Adjust the stitch tension properly.   |

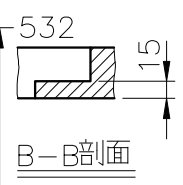
| No. | 現象<br>Problem                                 | 檢查及調整<br>Exam and Adjustment  |
|-----|---|---|
| 8.  | 縫布料皺起<br>The fabric is puckering              | 4. 壓具壓力太大或太小。<br>The presser foot pressure is too strong or too weak.<br>◎適當調整壓具壓力。<br>Adjust the presser foot pressure properly.<br>5. 縫紉速度過快。<br>The sewing speed is too fast.<br>◎降低車縫速度。<br>Decelerate the sewing speed.  |
| 9.  | 縫跡不良<br>Improper stitch                       | 1. 線的粗細不一致。<br>The thread thickness is different.<br>◎改用較好的縫線。<br>Change to use the better thread.<br>2. 夾線器工作不正常。<br>The thread gripper is abnormal.<br>◎清除夾線器雜物，使過線平順。<br>Clean the thread waste on the thread gripper to make the thread crossing smoothly.<br>3. 過線器定位不正確。<br>The locating of thread crossing is incorrect.<br>◎調整針線、勾針線及上勾針線的張力。<br>Adjust the tension of needle thread, looper thread and up looper thread.<br>4. 過線孔不光滑。<br>The thread crossing hole is not smooth.<br>◎用砂紙或挫刀工具拋光過線孔。<br>Use emerypaper or file to polish the thread crossing hole. |
| 10. | 縫布料出現針孔<br>There is needle hole on the fabric | 1. 車針針尖變鈍或起毛。<br>The needle tip is blunt.<br>◎更換車針。<br>Replace the needle.<br>2. 與縫布料比較，車針太粗。<br>The needle which compares with fabric is too thick.<br>◎換用較細車針。<br>Replace with the fine needle.<br>3. 針板上容針孔太小或磨損。<br>The needle hole on the needle plate is too small or worn out.<br>◎把針板孔修圓滑。<br>Rounding and smooth the needle plate hole.  |

| No. | 現象<br>Problem  | 檢查及調整<br>Exam and Adjustment  |
|-----|--|---|
| 11. | 不能噴油<br>The oil does not splash  | 1. 泵浦不出油。<br>The oil does not come out from the pump.<br>◎更換泵浦不良零件<br>Change the improper parts of pump.<br>2. 上機構不噴油。<br>The Upper mechanism does not splash the oil.<br>◎更換濾油器，用鐵絲疏通油路。<br>Change a new filter and use the iron wire to clean through the oil path. |
| 12. | 大聲、異聲<br>Loud noise, strange noise   | 1. 針棒鬆動。<br>The needle bar is loosening.<br>◎更換新品或磨合其接觸面使之間隙變小。<br>Change a new one or to polish the contacting surface so that clearance is smaller.<br>2. 皮帶輸出聲。<br>The pulley has noise.<br>◎按基準調整之。<br>Adjust it based on the standard.                           |
| 13. | 打開電源並踩下腳踏板時，縫紉機不動作。<br>Machine does not operate when power is turned on and treadle is pressed.            | 1. 電源插頭從控制箱上鬆開。<br>The power supply connector disconnected from the control box.<br>◎將插頭插牢。<br>Insert the connector securely.   |
| 14. | 縫紉機不能以高速運轉。<br>Machine does not operate at high speed.   | 1. 縫紉機速度設定過低。<br>The sewing speed is setting too slow.<br>◎請重新設定縫紉機轉速。<br>Please reset the sewing rotational speed.   |
| 15. | 加裝CL如遇抬壓腳力道不足時。<br>If the strength or the presser foot lifter is insufficient with being equipped with CL. | 請依下列實施：<br>A. 參數64項，出廠值：40 改為100<br>B. 參數65項，出廠值：10 改為28<br>Please implement the procedure as below:<br>A. Parameter No.64, default: 40 change to 100.<br>B. Parameter No.65, default: 10 change to 28.   |

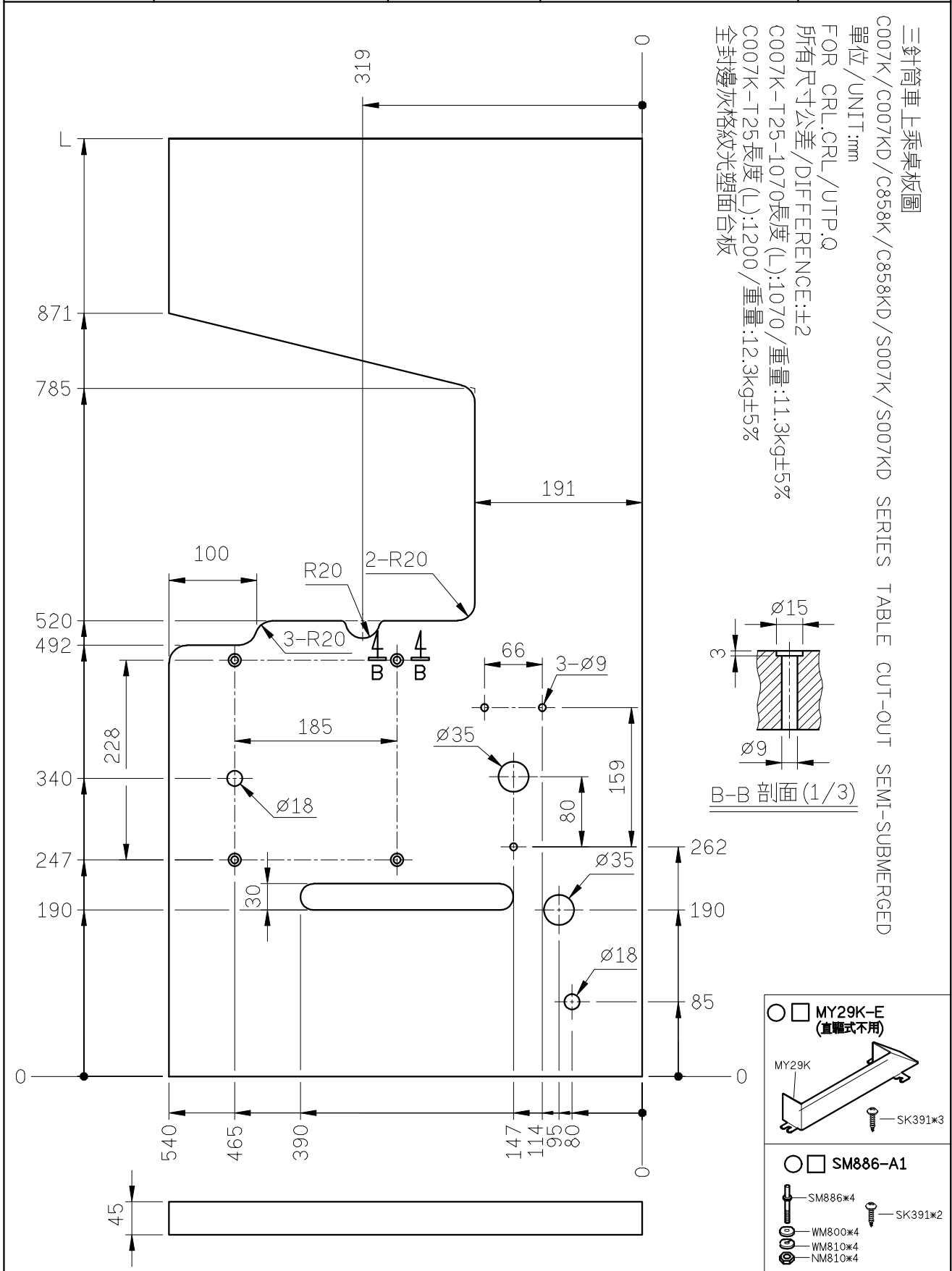
|                                     |  |                  |                          |                    |
|-------------------------------------|--|------------------|--------------------------|--------------------|
| <b>SIRUBA</b><br>TABLE<br>CUT - OUT | <b>Series</b>                                | <b>Item Code</b> | <b>Subclass / Remark</b> | <b>Mounting</b>    |
|                                     | C007K/C007KD<br>C858K/C858KD<br>S007K/S007KD | C007K-T23        | For All Series           | Semi-submerged     |
|                                     |  |                  |                          | Date<br>2013/01/26 |



三針筒車半沉桌板圖  
C007K/C007KD/C858K/C858KD/S007K/S007KD SERIES TABLE CUT-OUT SEMI-SUBMERGED  
單位/UNIT:mm  
FOR一般車及自動切線  
所有尺寸公差/DIFFERENCE:±2  
C007K-T23-1(長度(L):1070)重量:11.5kg±5%  
C007K-T2(長度(L):1200)重量:12.5kg±5%  
全封邊灰格紋光塑面台板



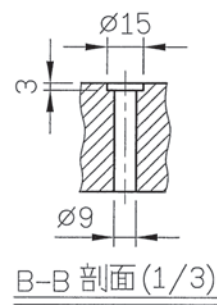
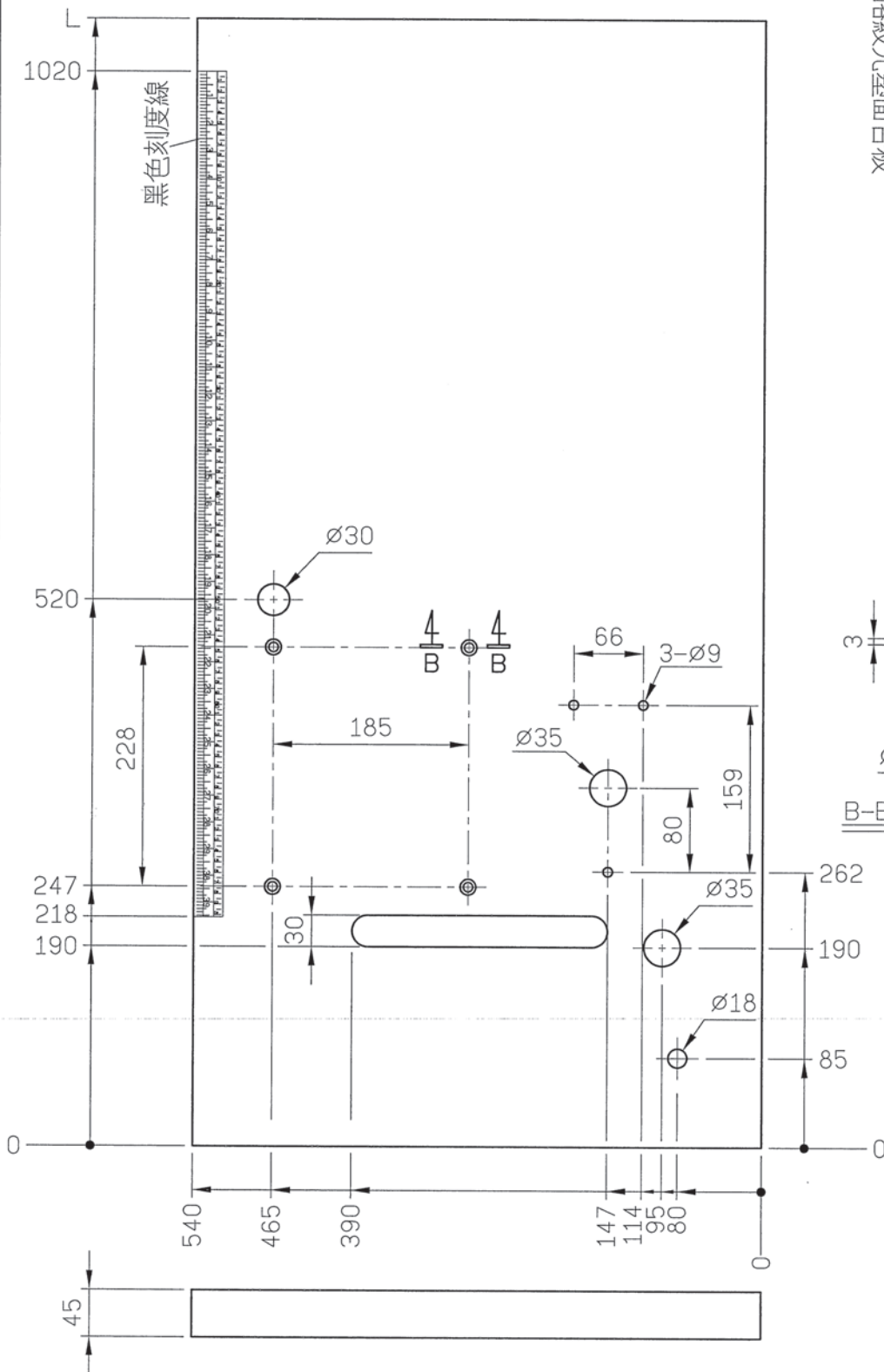
| SIRUBA<br>TABLE<br>CUT - OUT | Series                                       | Item Code | Subclass / Remark   | Mounting      |
|------------------------------|--|-----------|---|---------------|
|                              | C007K/C007KD<br>C858K/C858KD<br>S007K/S007KD | C007K-T25 | For All Series excluding<br>① RLP,RLQ Elastic tape attaching<br>② CRL Models<br>③ Condensed stitch(CAR,CMR,SAR,SER--) | Non-submerged |
|                              | Date   |           |   |               |
|                              |  |           |   | 2013/01/26    |





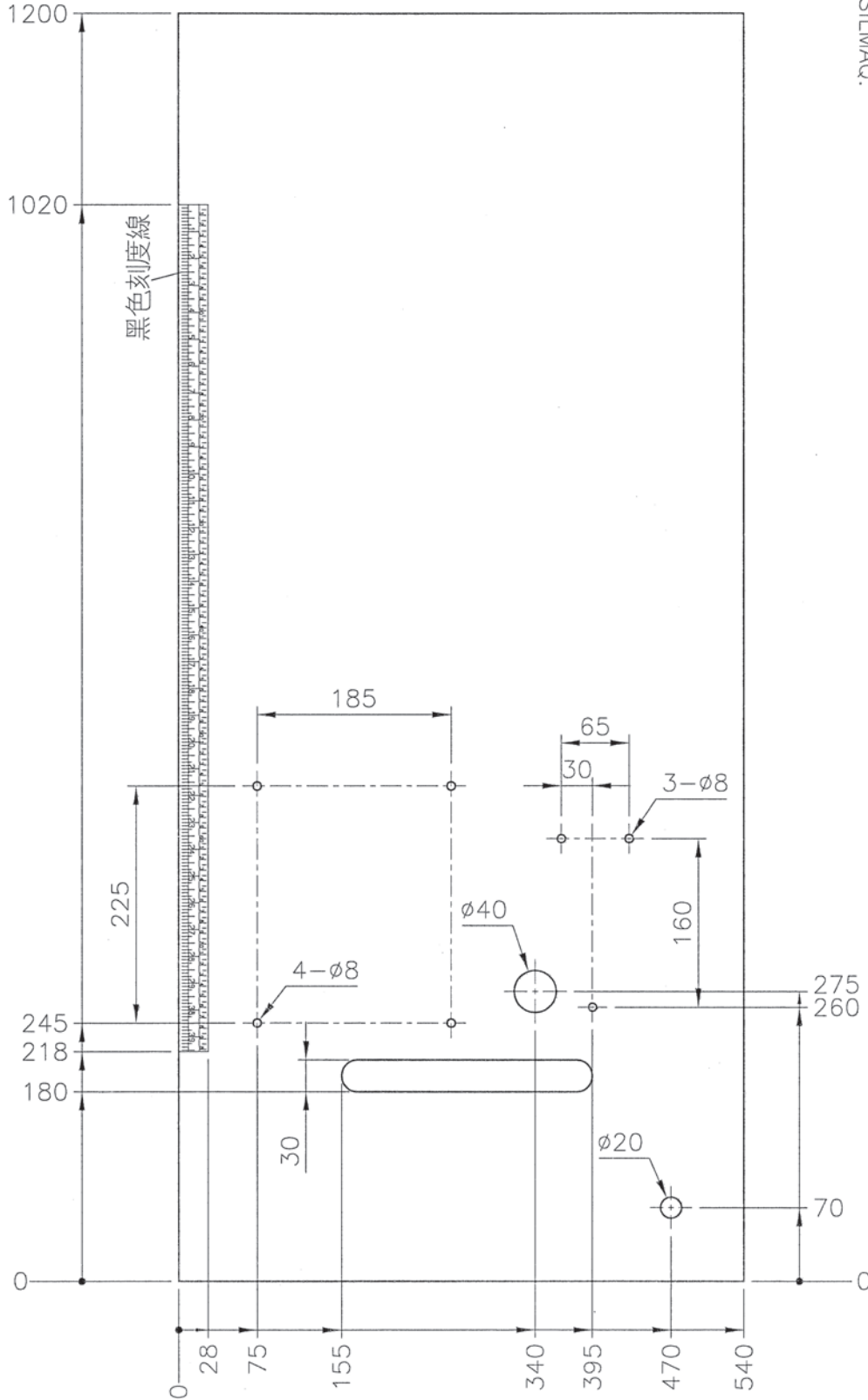
|                                     |             |           |                   |               |
|-------------------------------------|-------------|-----------|-------------------|---------------|
| <b>SIRUBA</b><br>TABLE<br>CUT - OUT | Series      | Item Code | Subclass / Remark | Mounting      |
|                                     | C007J/C007K | C007-T30  |                   | Non-submerged |
|                                     |             |           |                   | Date          |
|                                     |             |           |                   | 2016/10/03    |

三針筒車上乘桌板圖  
 C007J/C007K SERIES TABLE CUT-OUT SEMI-SUBMERGED  
 單位/UNIT:mm  
 FOR 印度客戶使用  
 所有尺寸公差/DIFFERENCE:±2  
 C007-T30-1070長度(L):1070/重量:11.3kg±5%  
 C007-T30長度(L):1200/重量:12.3kg±5%  
 全封邊 灰格紋光塑面台板



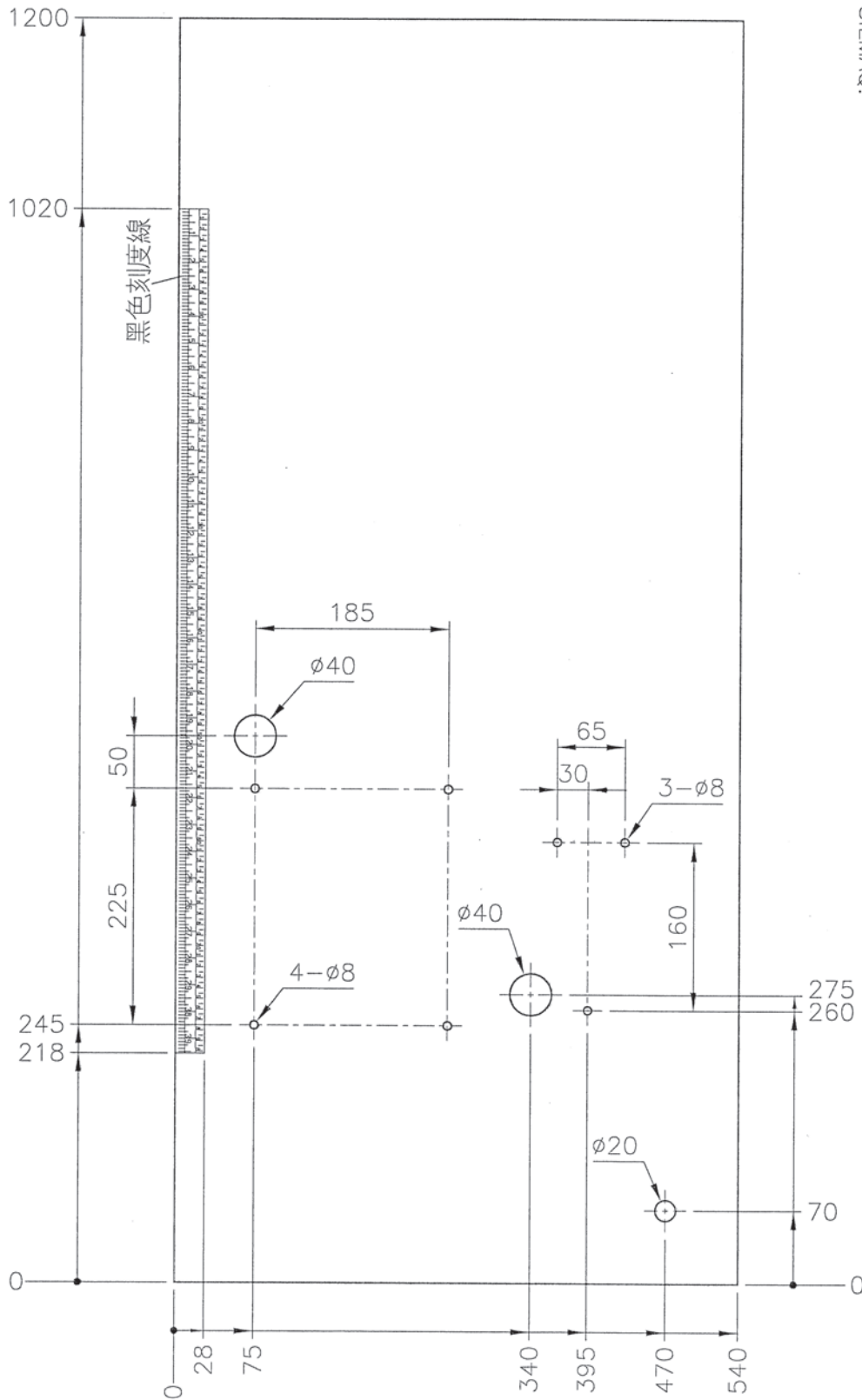
|                                     |        |           |                   |                |
|-------------------------------------|--------|-----------|-------------------|----------------|
| <b>SIRUBA</b><br>TABLE<br>CUT - OUT | Series | Item Code | Subclass / Remark | Mounting       |
|                                     | C007K  | C007K-T32 |                   | Semi-submerged |
|                                     |        |           |                   | Date           |
|                                     |        |           |                   | 2017/08/22     |

三針筒車上乘式桌板  
 C007K SERIES TABLE CUT-OUT SEMI-SUBMERGED  
 單位/UNIT:MM  
 FOR一般車及自動切線  
 所有尺寸公差/DIFFERENCE:±2  
 全封邊灰格紋光塑面台板  
 for SILMAQ.

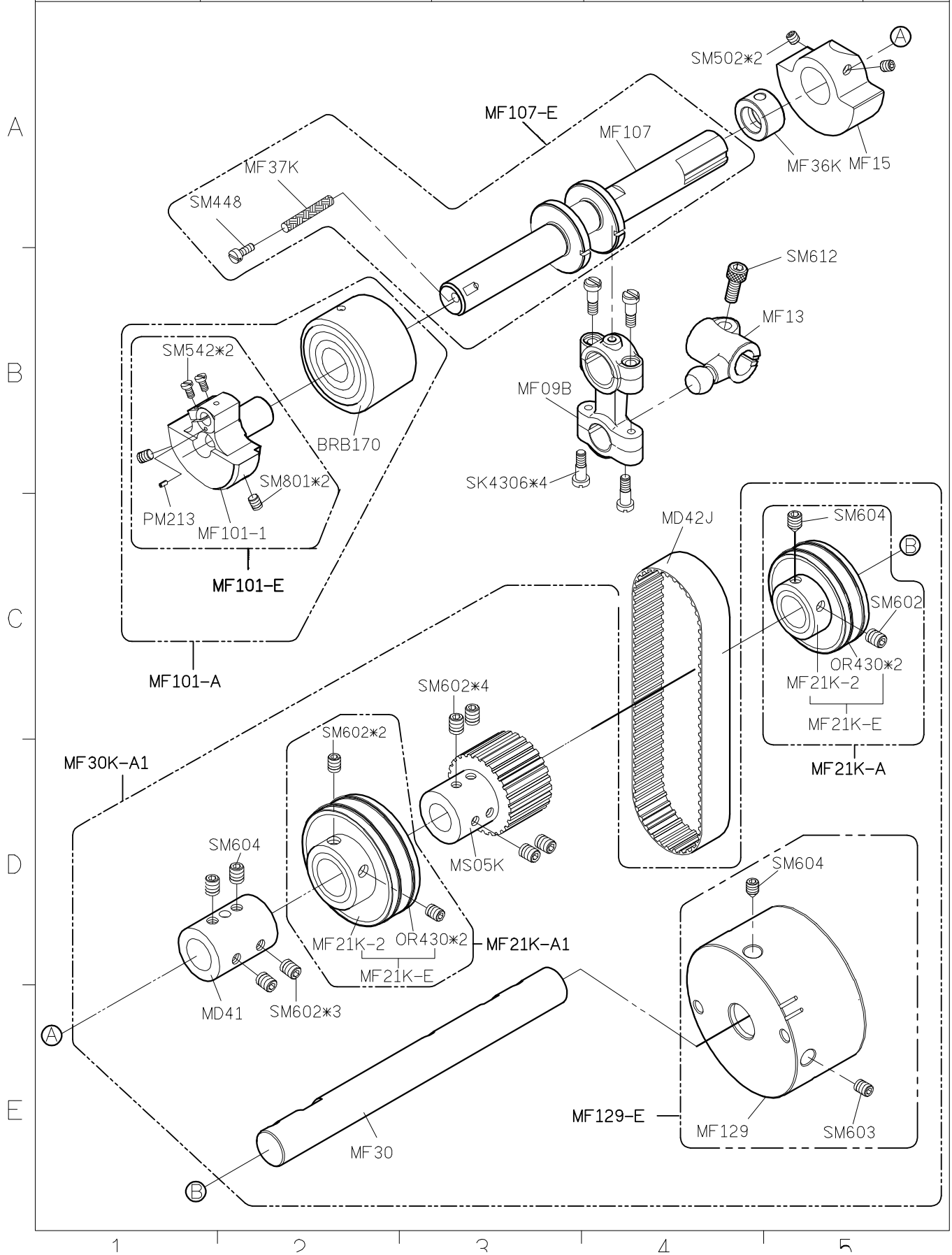


|                                     |        |           |                   |                |
|-------------------------------------|--------|-----------|-------------------|----------------|
| <b>SIRUBA</b><br>TABLE<br>CUT - OUT | Series | Item Code | Subclass / Remark | Mounting       |
|                                     | C007KD | C007K-T33 |                   | Semi-submerged |
|                                     |        |           |                   | Date           |
|                                     |        |           |                   | 2017/08/22     |

三針筒車上乘式桌板  
 C007KD SERIES TABLE CUT-OUT SEMI-SUBMERGED  
 單位/UNIT:MM  
 FOR一般車及自動切線  
 所有尺寸公差/DIFFERENCE:±2  
 全封邊灰格紋光塑面台板  
 for SILMAQ.



| SIRUBA<br>PARTS LIST | Series                        | Parts Group | Subclass / Remark | Page               |
|----------------------|-------------------------------|-------------|-------------------|--------------------|
|                      | C007K/C007JP<br>/C007KP/C858K | MF-K        |                   | 1/1                |
|                      |                               |             |                   | Date<br>2020/12/03 |



| <b>SIRUBA</b><br><b>PARTS LIST</b> | <b>Series</b> | <b>Parts Group</b> | <b>Subclass / Remark</b> | <b>Page</b> |
|------------------------------------|---------------|--------------------|--------------------------|-------------|
|                                    | C007K/C007KD  | <b>MG-K</b>        |                          | 1/1         |
|                                    | C007KP/C858K  |                    |                          | Date        |
|                                    |               |                    |                          | 2020/4/23   |
|                                    |               |                    |                          |             |

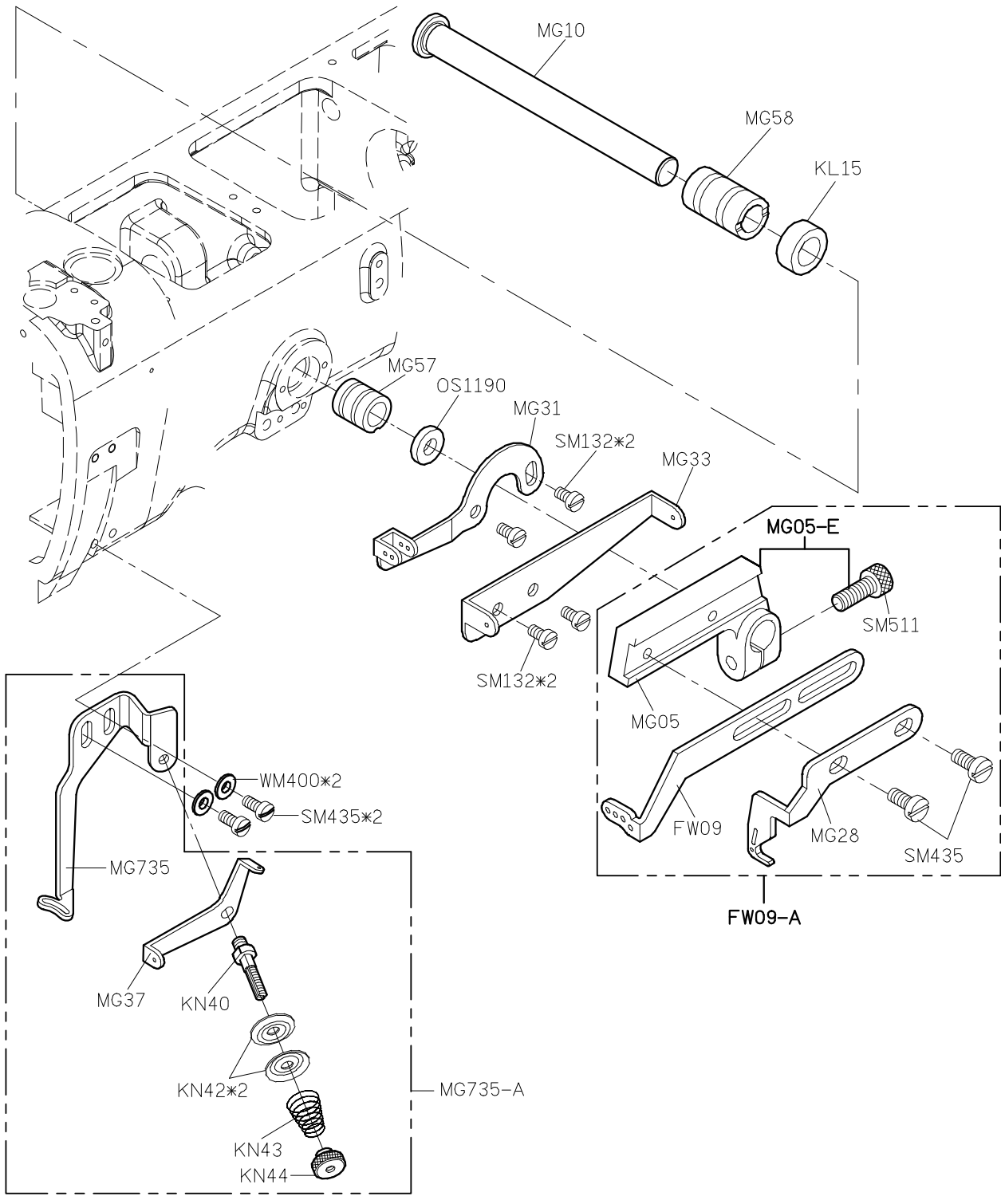
A

B

C

D

E



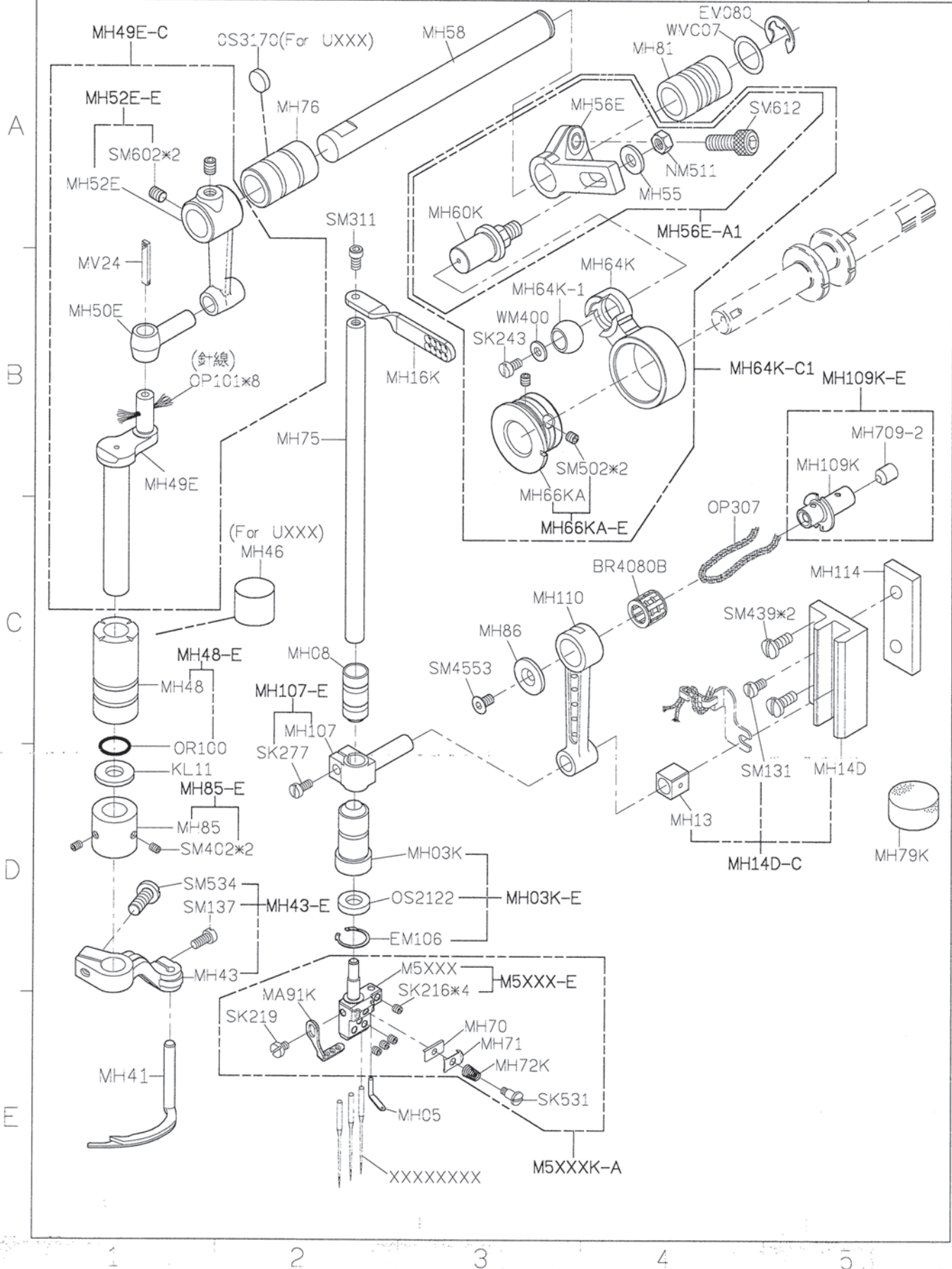
1

2

3

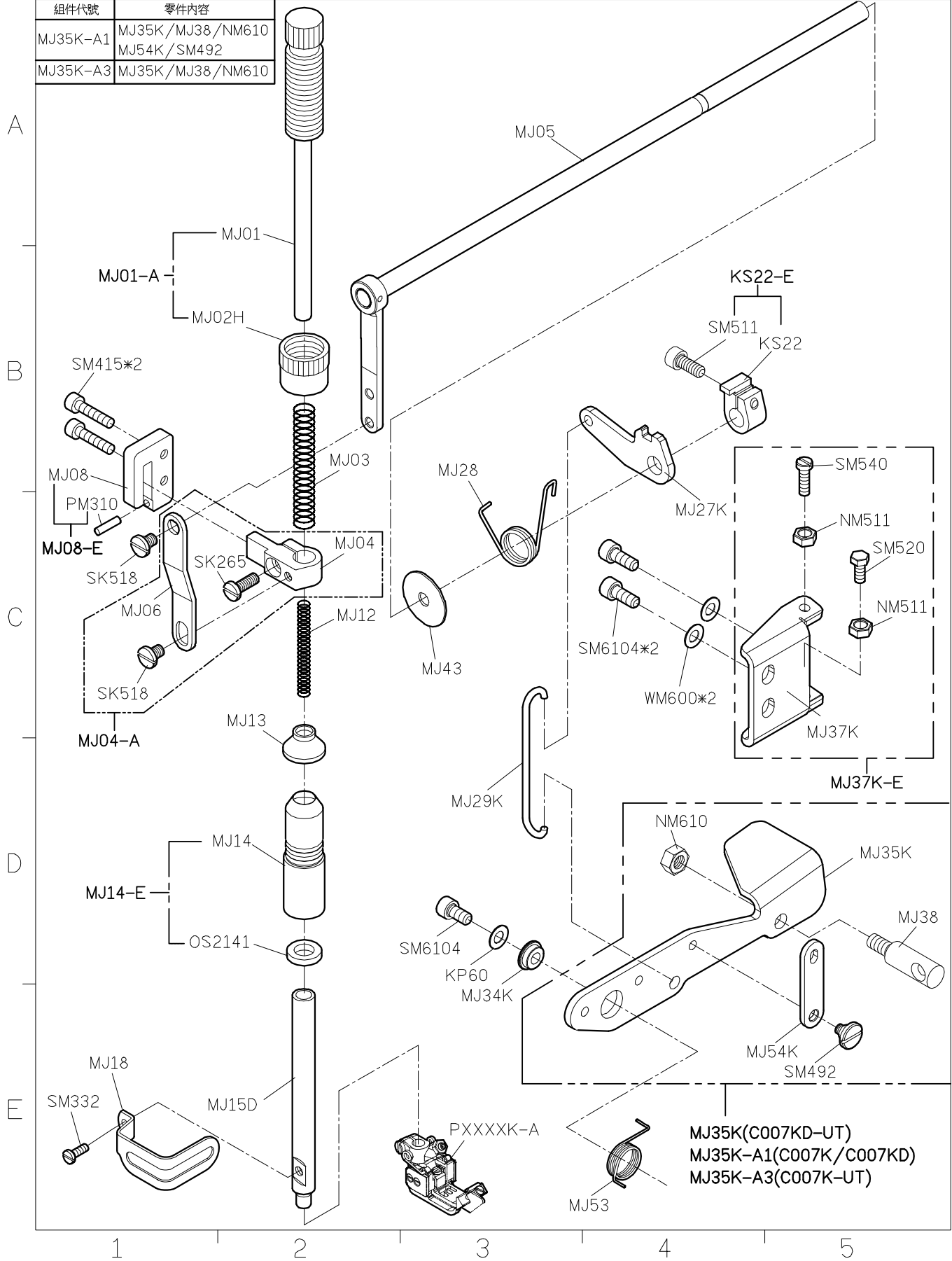
4

5

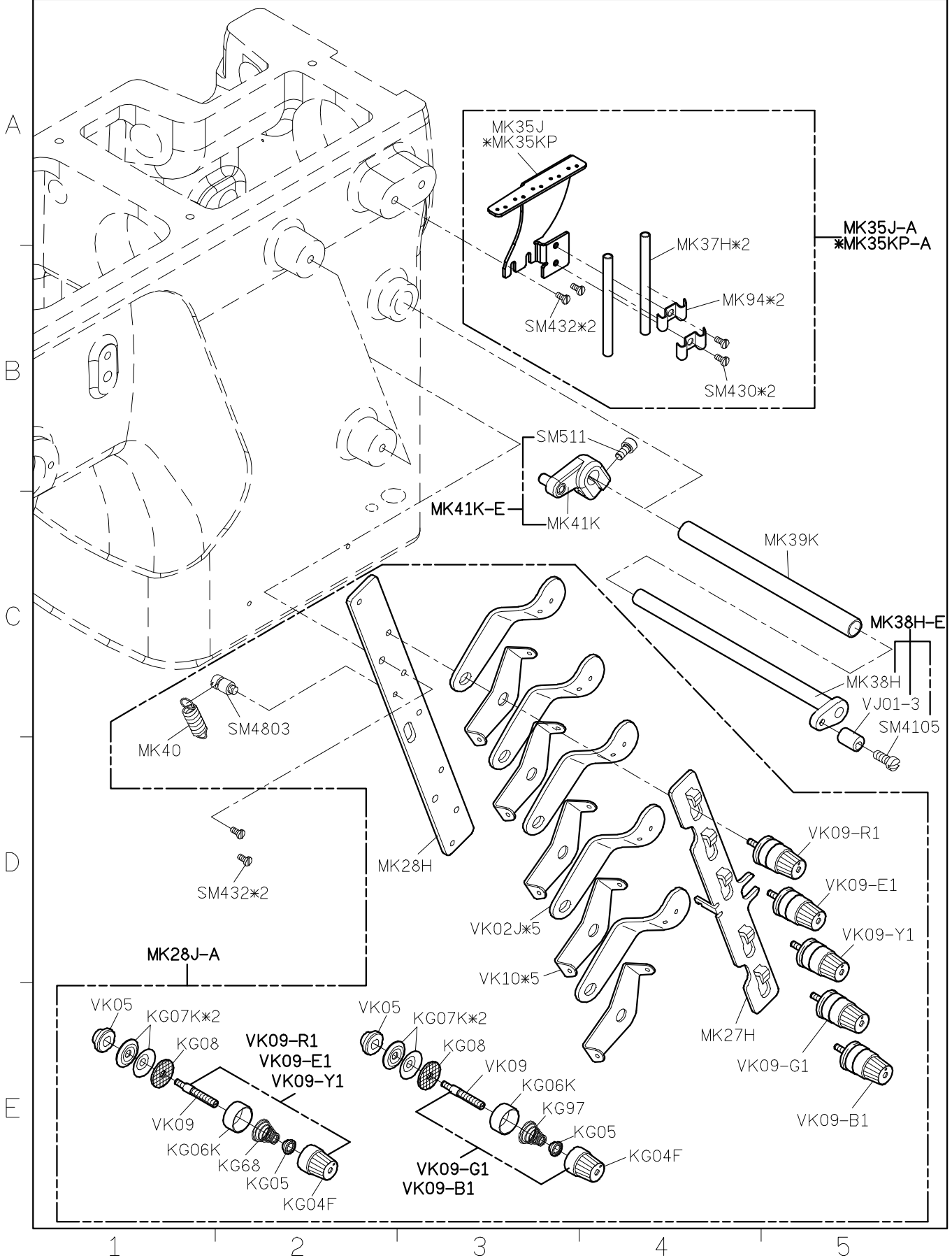


|                                    |  |             |                   |            |
|------------------------------------|--|-------------|-------------------|------------|
| <b>SIRUBA</b><br><b>PARTS LIST</b> | Series                                 | Parts Group | Subclass / Remark | Page       |
|                                    | C007K/C007KD<br>C007JP/C007KP<br>C858K | <b>MJ-K</b> |                   | 1/1        |
|                                    |  |             |                   | Date       |
|                                    |  |             |                   | 2020/11/24 |

| 組件代號     | 零件內容                            |
|----------|---------------------------------|
| MJ35K-A1 | MJ35K/MJ38/NM610<br>MJ54K/SM492 |
| MJ35K-A3 | MJ35K/MJ38/NM610                |

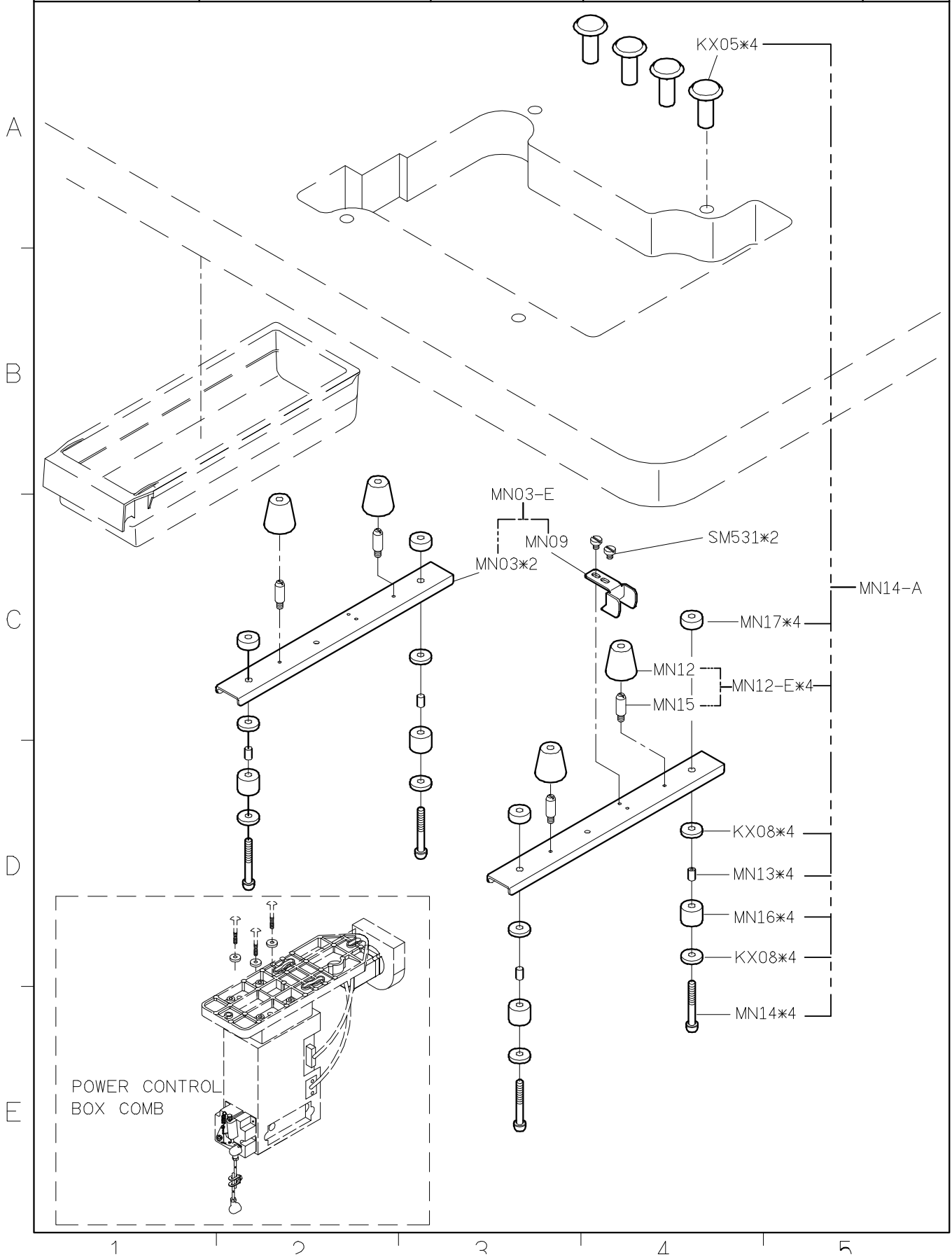


| SIRUBA<br>PARTS LIST | Series        | Parts Group | Subclass / Remark | Page      |
|----------------------|---------------|-------------|-------------------|-----------|
|                      | C007K/C007KD  | MK-K        | *:Use for C007KP  | 1/1       |
|                      | C007JP/C007KP |             |                   | Date      |
|                      | C858K         |             |                   | 2020/3/20 |

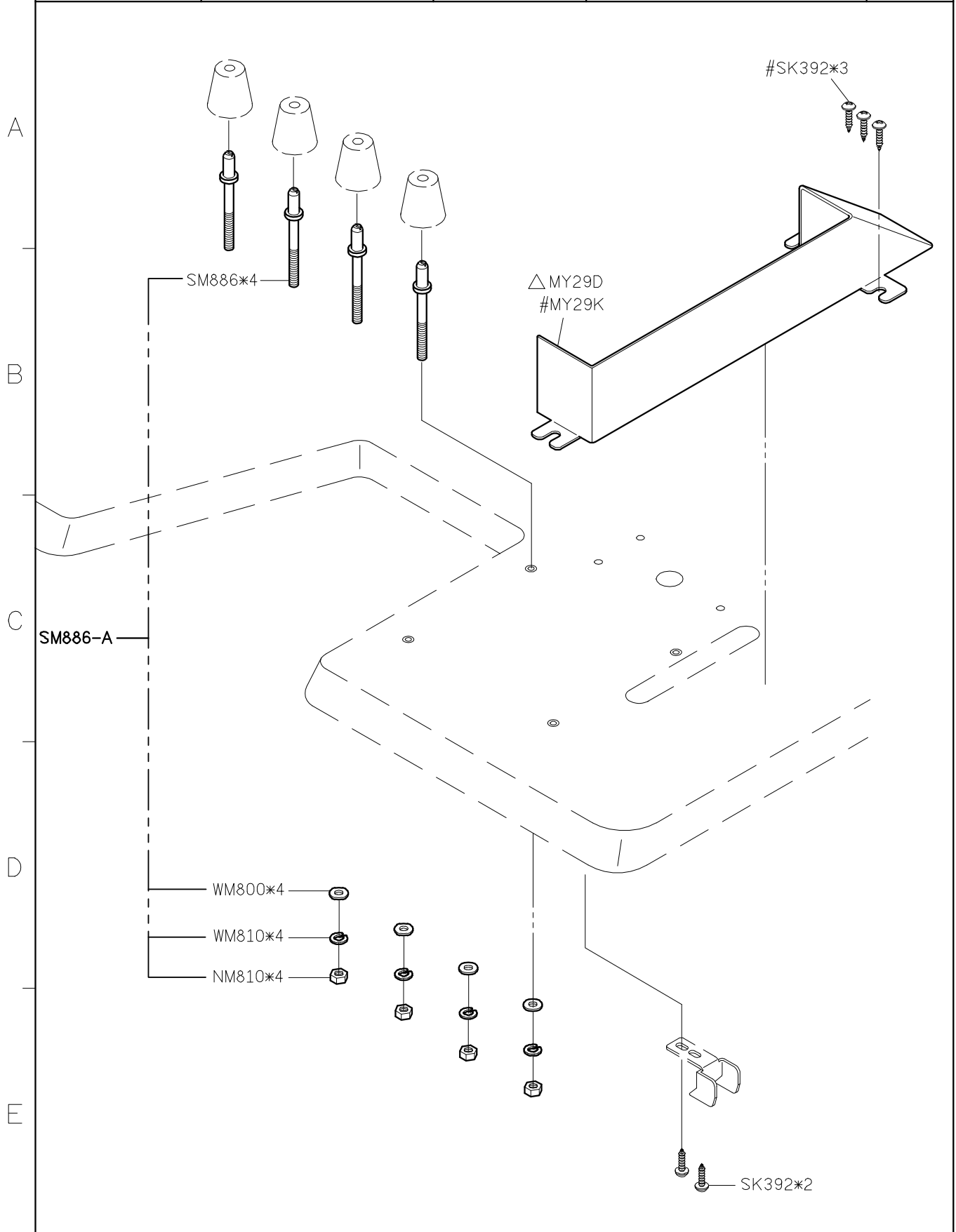




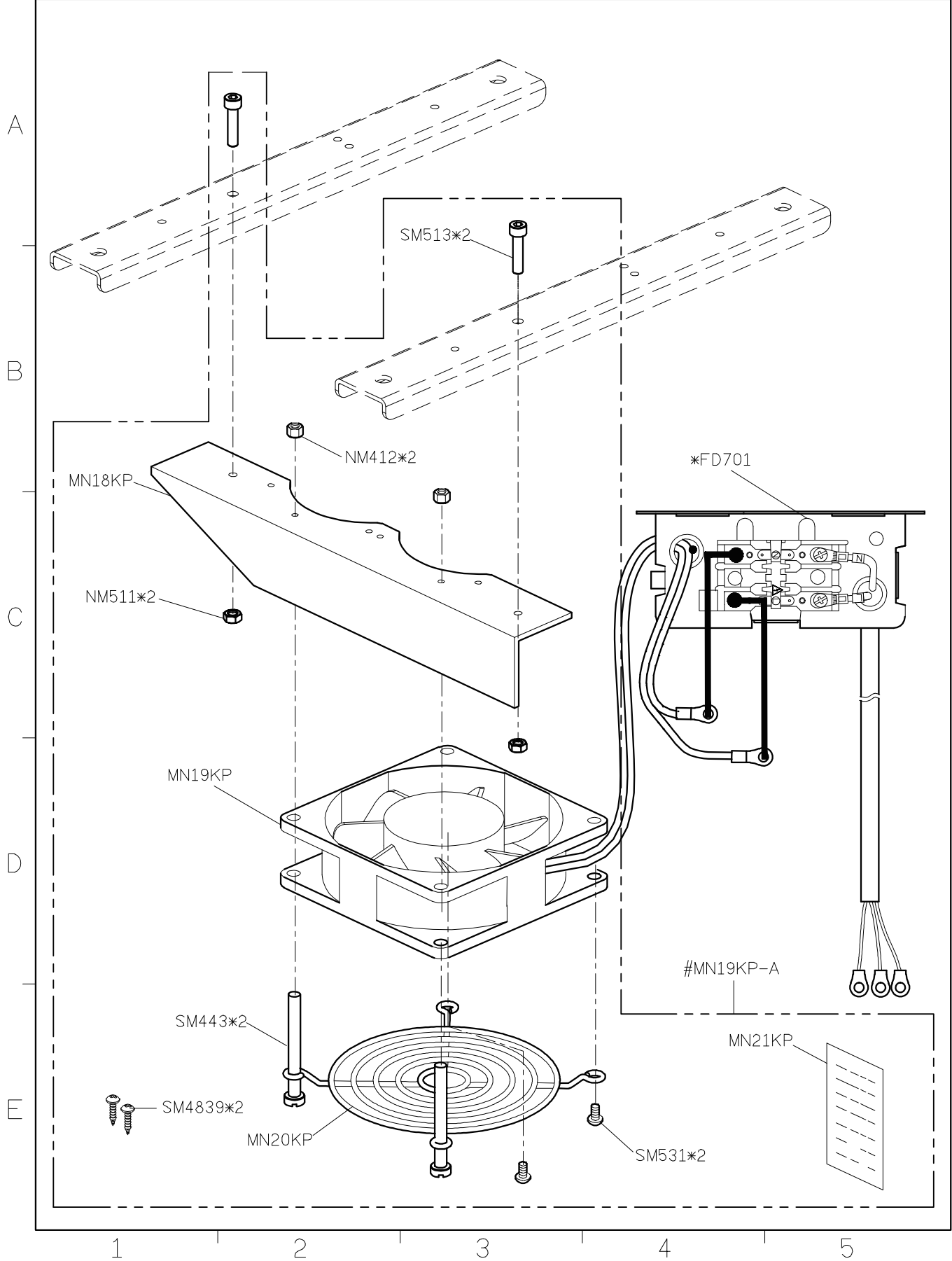
| SIRUBA<br>PARTS LIST | Series        | Parts Group | Subclass / Remark | Page |
|----------------------|---------------|-------------|-------------------|------|
|                      | C007K/C007KD  | MN-K        |                   | 1/3  |
|                      | C007JP/C007KP |             |                   | Date |
| C858K                |               |             | 2019/08/08        |      |



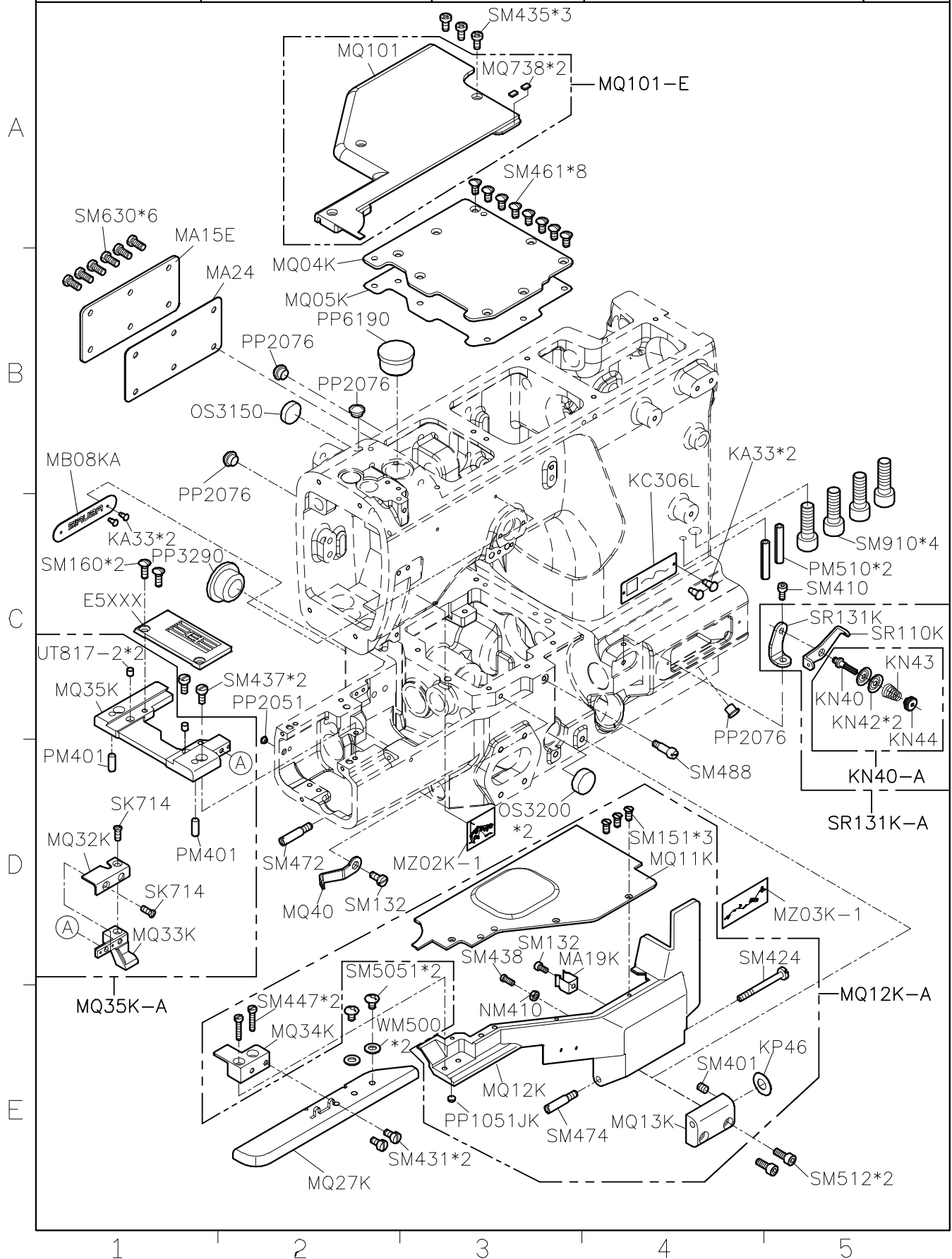
| SIRUBA<br>PARTS LIST | Series        | Parts Group | Subclass / Remark | Page       |
|----------------------|---------------|-------------|-------------------|------------|
|                      | C007K/C007KD  | MN-K        | △ Use for C007JP  | 2/3        |
|                      | C007JP/C007KP |             |                   | Date       |
|                      | C858K         |             |                   | 2019/08/08 |



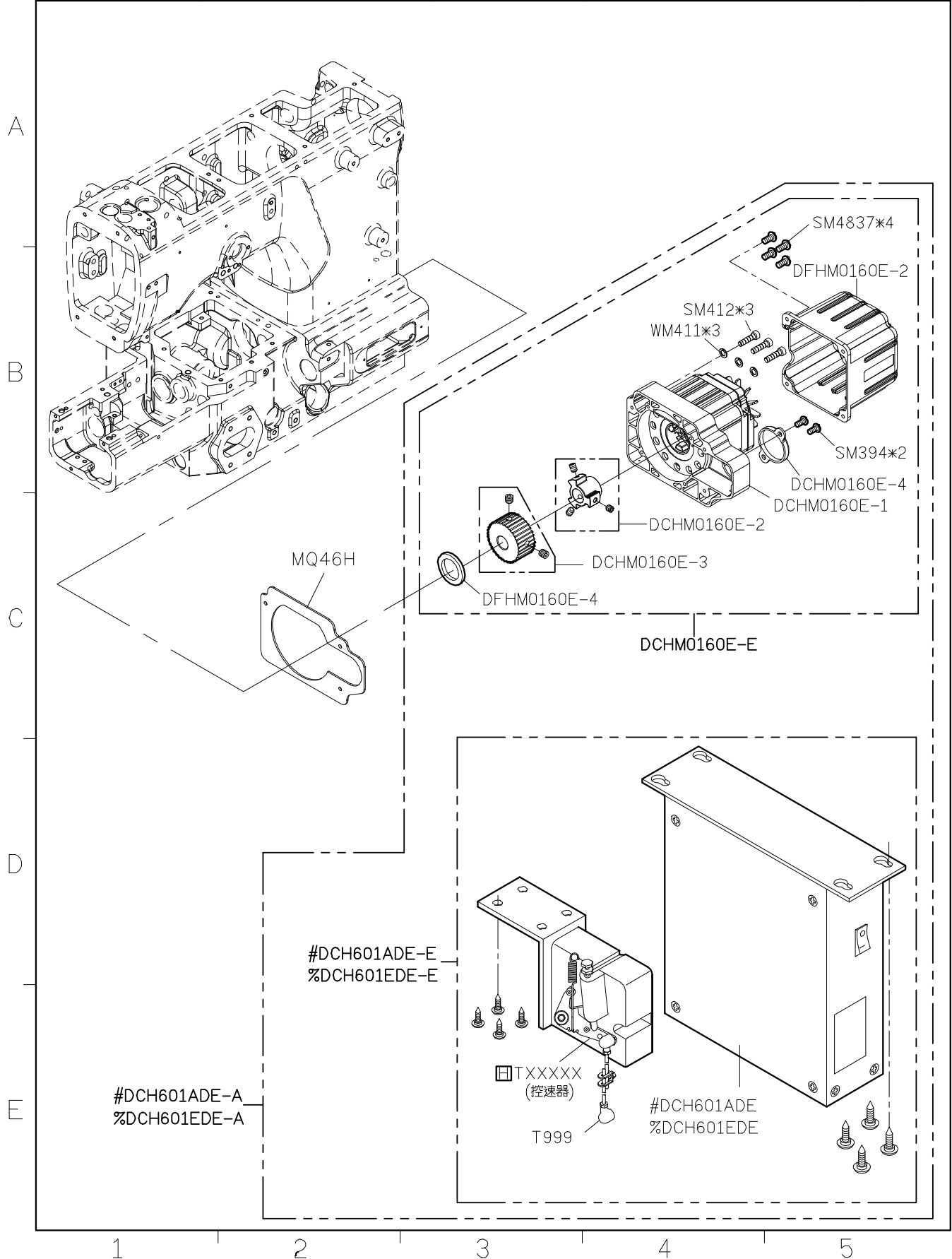
| SIRUBA<br>PARTS LIST | Series | Parts Group | Subclass / Remark                                  | Page      |
|----------------------|--------|-------------|--|-----------|
|                      | C007KP | MN-K        | *Use For Direct-Drive Motor (P牌/U牌)<br>#For Option | 3/3       |
|                      |        |             |  | Date      |
|                      |        |             |  | 2020/4/28 |



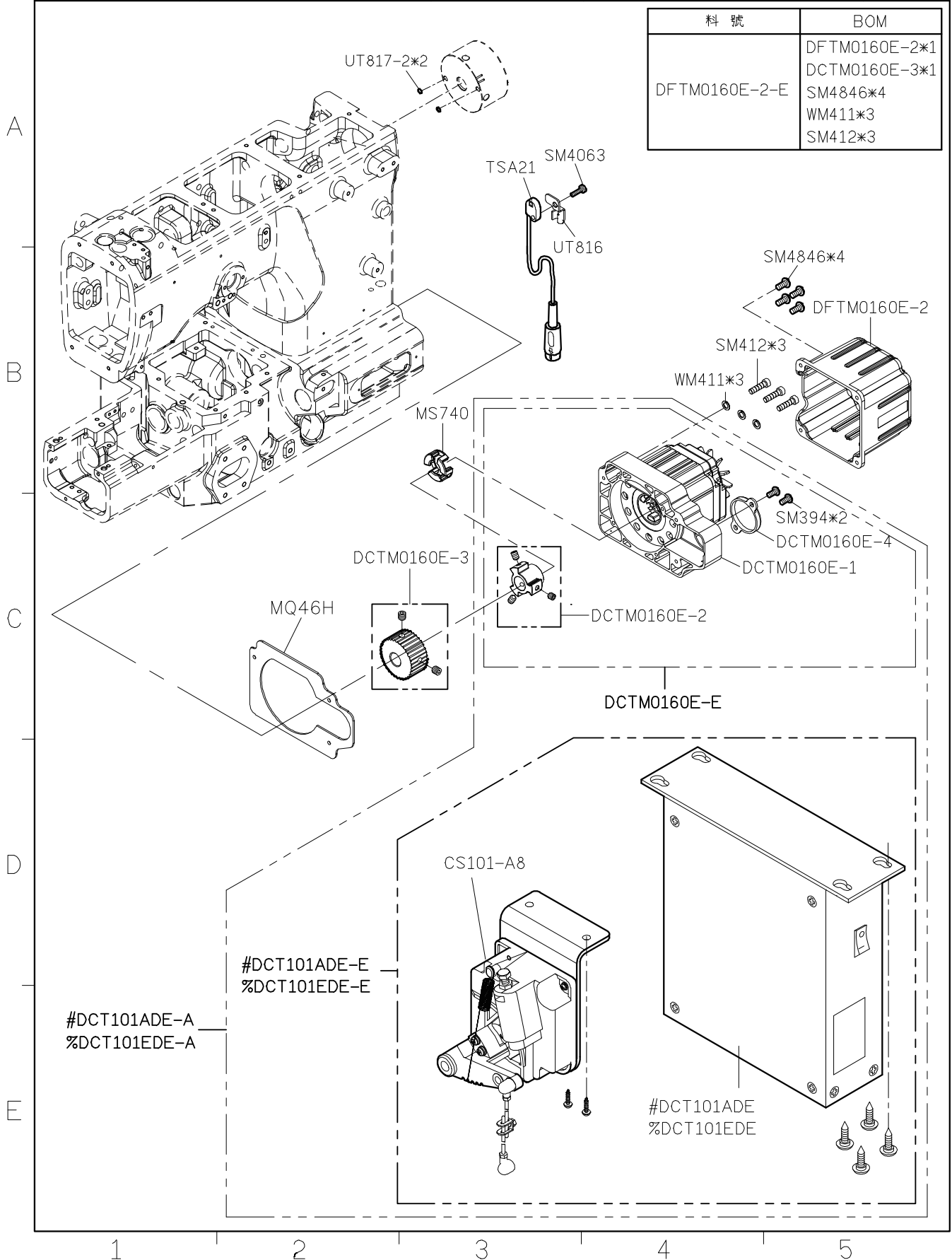
| SIRUBA<br>PARTS LIST | Series       | Parts Group | Subclass / Remark | Page       |
|----------------------|--------------|-------------|-------------------|------------|
|                      | C007K/C007KD | MQ-K        |                   | 1/5        |
|                      | C007KP/C858K |             |                   | Date       |
|                      |              |             |                   | 2018/10/16 |



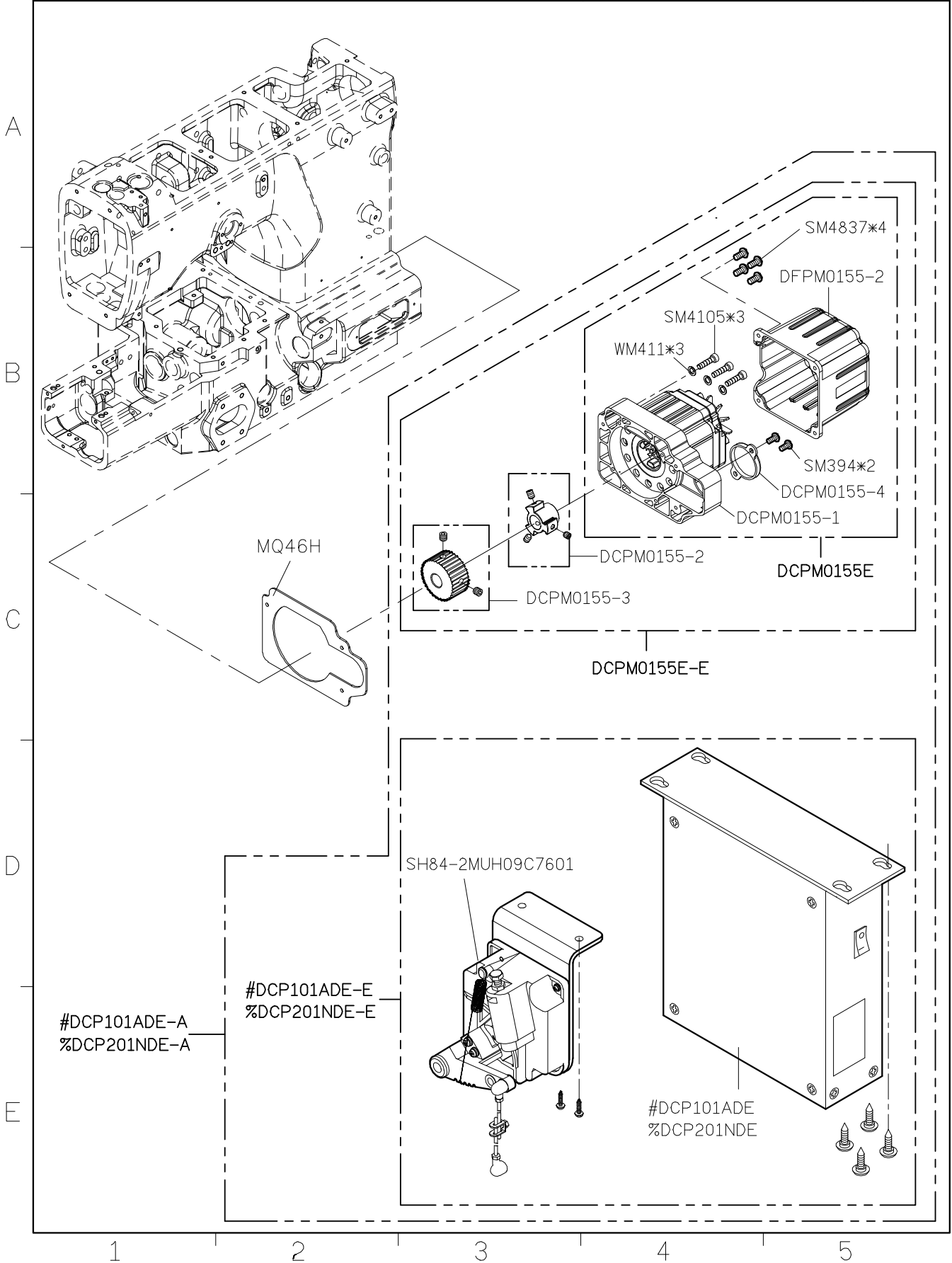
| SIRUBA<br>PARTS LIST | Series        | Parts Group | Subclass / Remark  | Page     |
|----------------------|---------------|-------------|--|----------|
|                      | C007KD/C007KP | MQ-K        | For Direct-Drive Motor (H牌)<br>#For Pneumatic Automatic<br>%For Electric Automatic | 2/5      |
|                      |               |             |  | Date     |
|                      |               |             |  | 2020/9/4 |



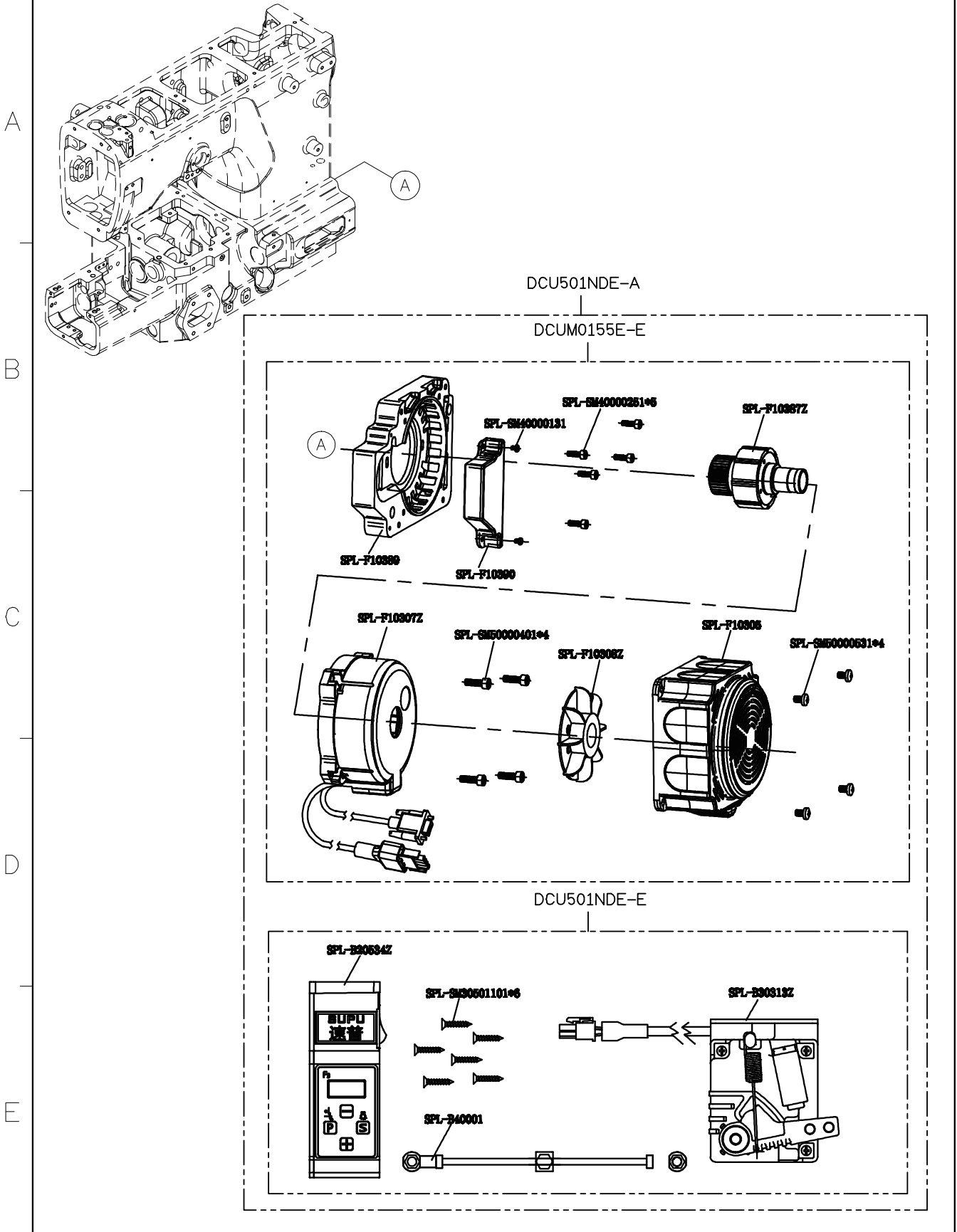
|                                    |               |                    |  |             |
|------------------------------------|---------------|--------------------|--|-------------|
| <b>SIRUBA</b><br><b>PARTS LIST</b> | <b>Series</b> | <b>Parts Group</b> | <b>Subclass / Remark</b>   | <b>Page</b> |
|                                    | C007KD/C007KP | <b>MQ-K</b>        | For Direct-Drive Motor (T牌)<br>#For Pneumatic Automatic<br>%For Electric Automatic | 3/5         |
|                                    |               |                    |  | Date        |
|                                    |               |                    |  | 2020/9/4    |



| SIRUBA<br>PARTS LIST | Series        | Parts Group | Subclass / Remark  | Page     |
|----------------------|---------------|-------------|--|----------|
|                      | C007KD/C007KP | MQ-K        | For Direct-Drive Motor (P牌)<br>#For Pneumatic Automatic<br>%For Electric Automatic | 4/5      |
|                      |               |             |  | Date     |
|                      |               |             |  | 2020/9/4 |



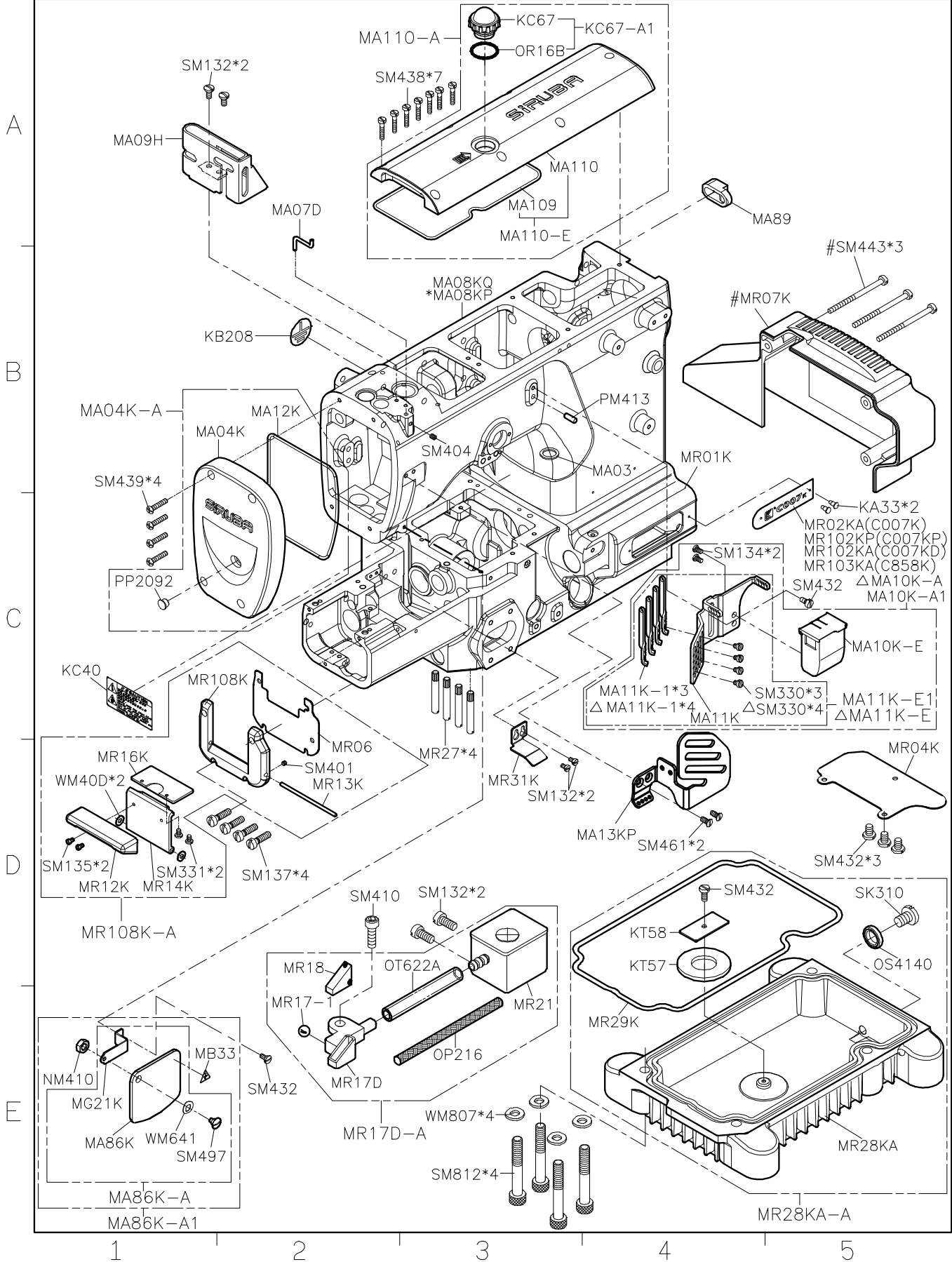
| SIRUBA<br>PARTS LIST | Series        | Parts Group | Subclass / Remark          | Page     |
|----------------------|---------------|-------------|----------------------------|----------|
|                      | C007KD/C007KP | MQ-K        | For Direct-Drive Motor(U牌) | 5/5      |
|                      |               |             |                            | Date     |
|                      |               |             |                            | 2020/9/4 |



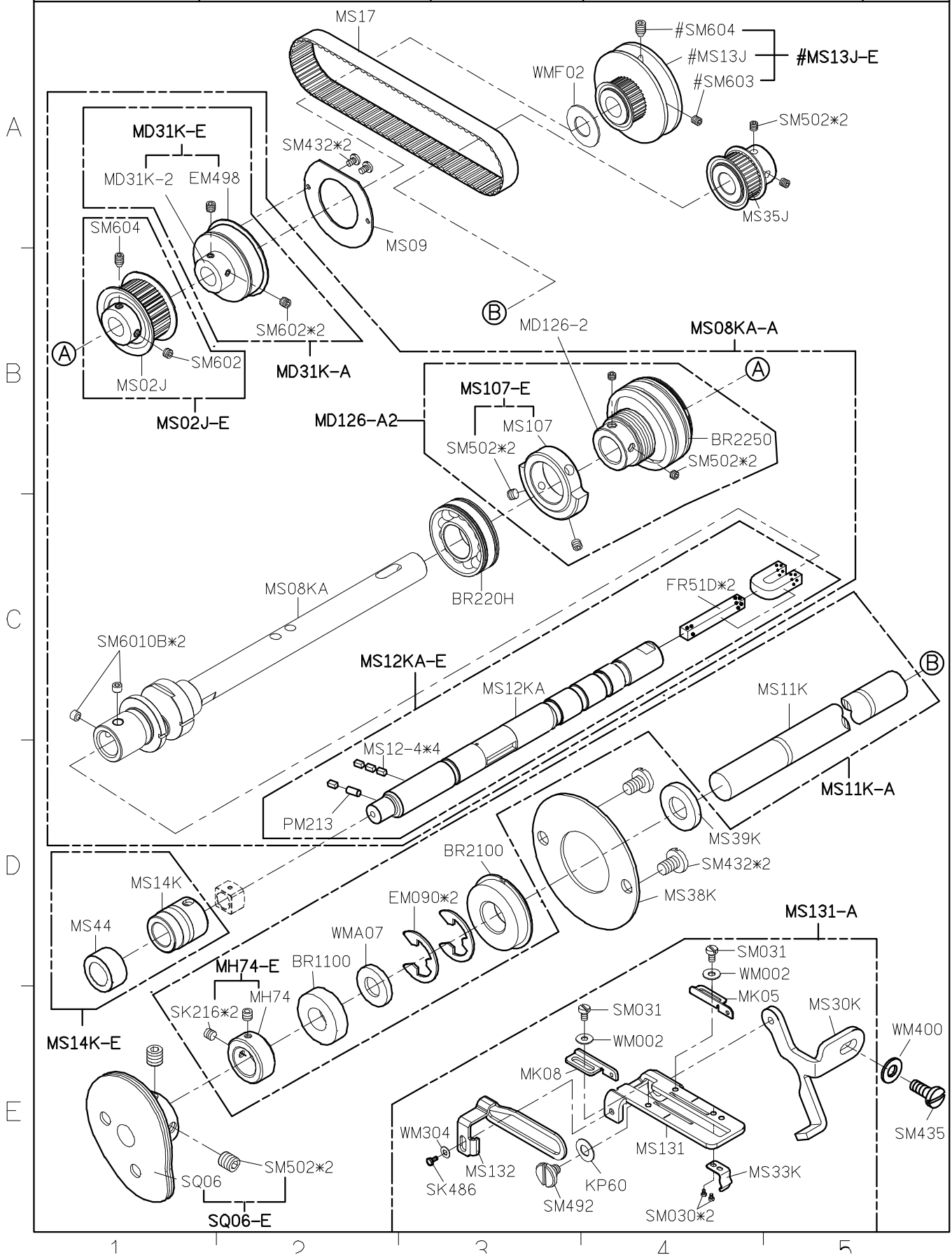
1 2 3 4 5



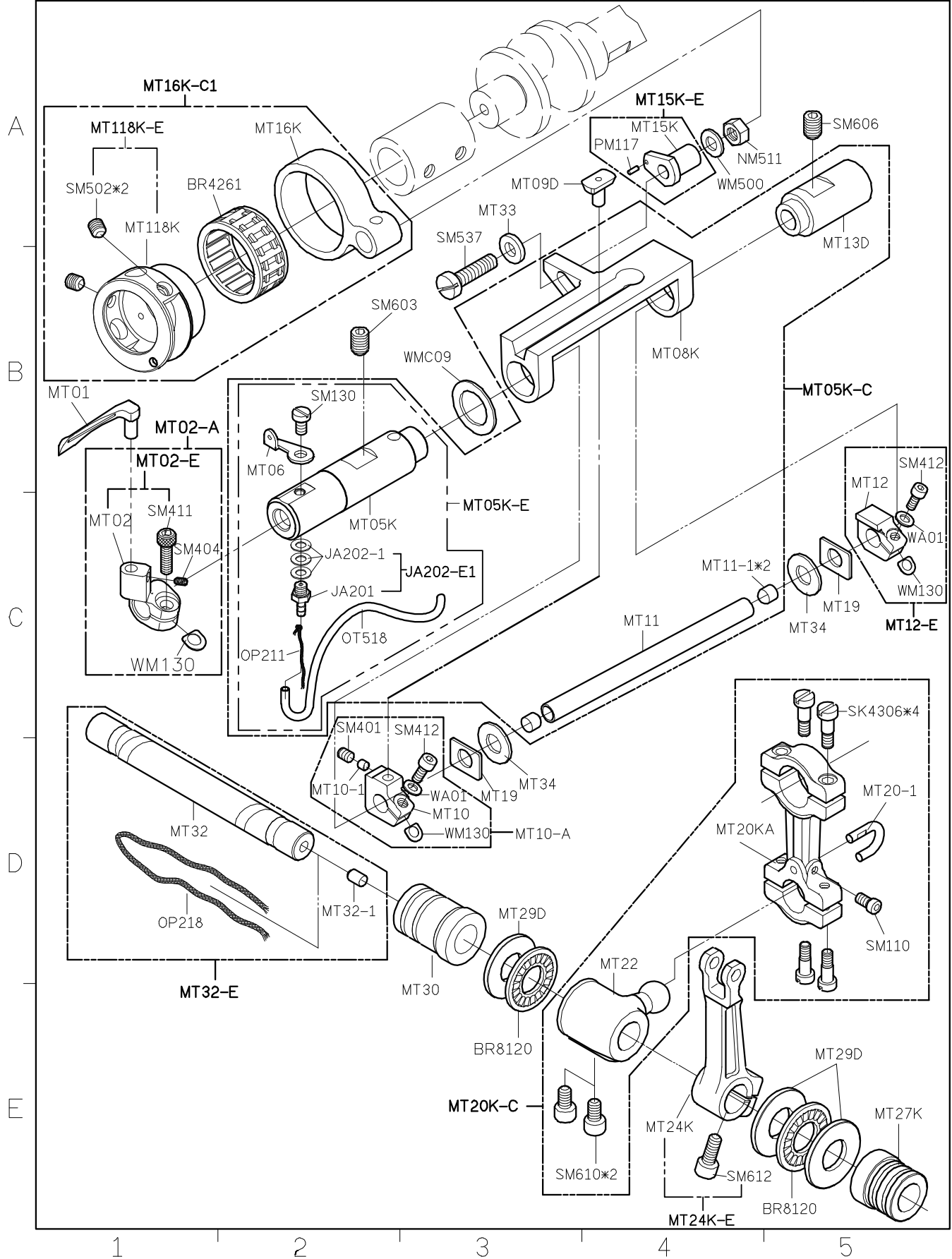
| SIRUBA<br>PARTS LIST | Series       | Parts Group | Subclass / Remark   | Page      |
|----------------------|--------------|-------------|---|-----------|
|                      | C007K/C007KP | MR          | △ : Use for CW<br># : Use for C007K/C858K<br>* : Use for C007KP | 1/1       |
|                      | C007KD/C858K |             |   | Date      |
|                      |              |             |   | 2020/11/5 |



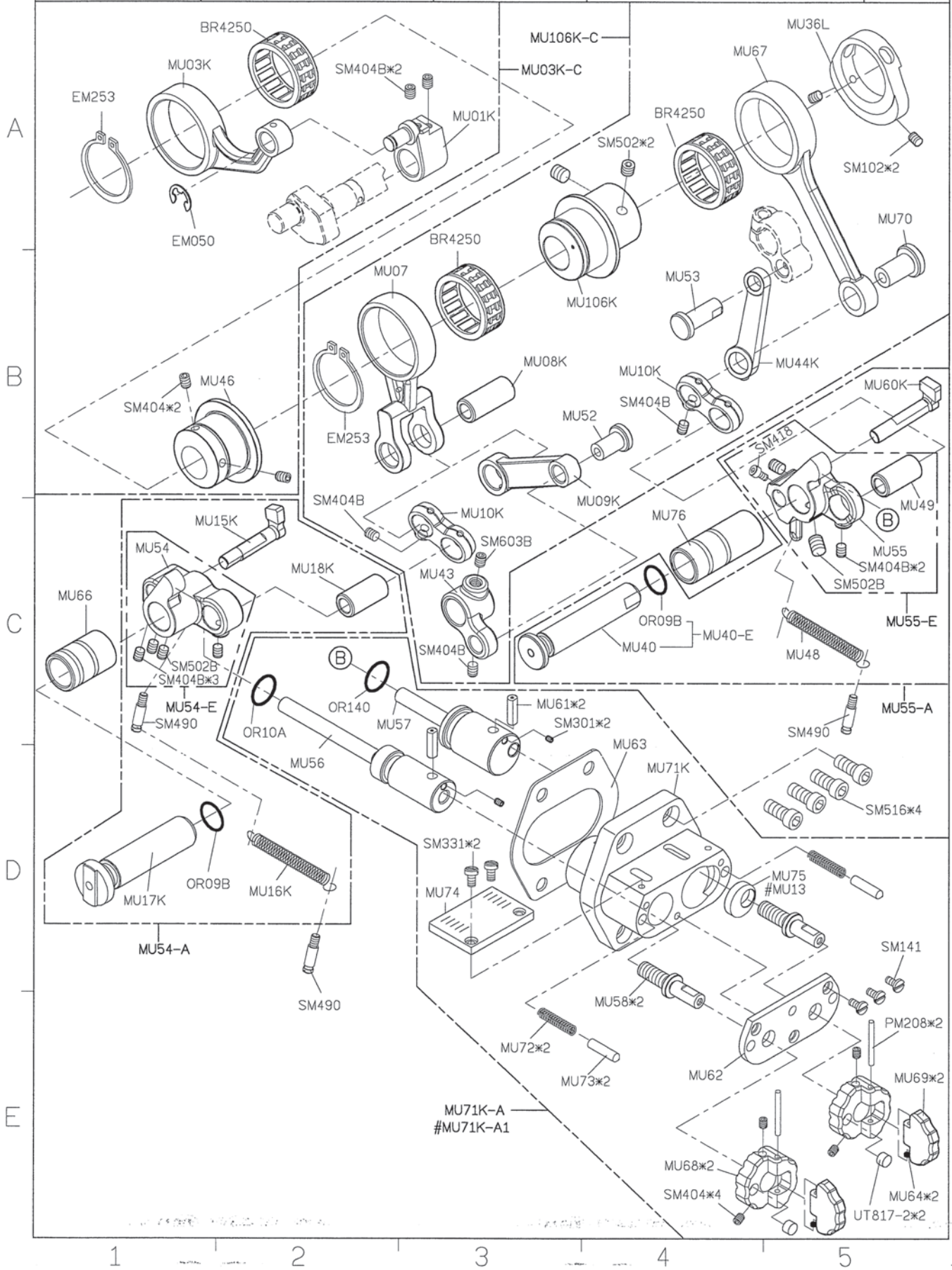
| SIRUBA<br>PARTS LIST | Series                | Parts Group | Subclass / Remark       | Page               |
|----------------------|-----------------------|-------------|-------------------------|--------------------|
|                      | C007K/C007KD<br>C858K | MS          | # : Use for C007K/C858K | 1/1                |
|                      |                       |             |                         | Date<br>2019/11/12 |



| SIRUBA<br>PARTS LIST | Series       | Parts Group | Subclass / Remark | Page     |
|----------------------|--------------|-------------|-------------------|----------|
|                      | C007K/C007KD | MT-K        |                   | 1/1      |
|                      | C858K        |             |                   | Date     |
|                      |              |             |                   | 2020/9/7 |



| SIRUBA<br>PARTS LIST | Series                | Parts Group | Subclass / Remark  | Page      |
|----------------------|-----------------------|-------------|--------------------|-----------|
|                      | C007K/C007KD<br>C858K | MU-K        | # : Use for CR/CRL | 1/1       |
|                      |                       |             |                    | Date      |
|                      |                       |             |                    | 2018/8/01 |



**SIRUBA**

PARTS LIST

Series

C007K/C007KD  
C007KP/C858K

Parts Group

**MV-K**

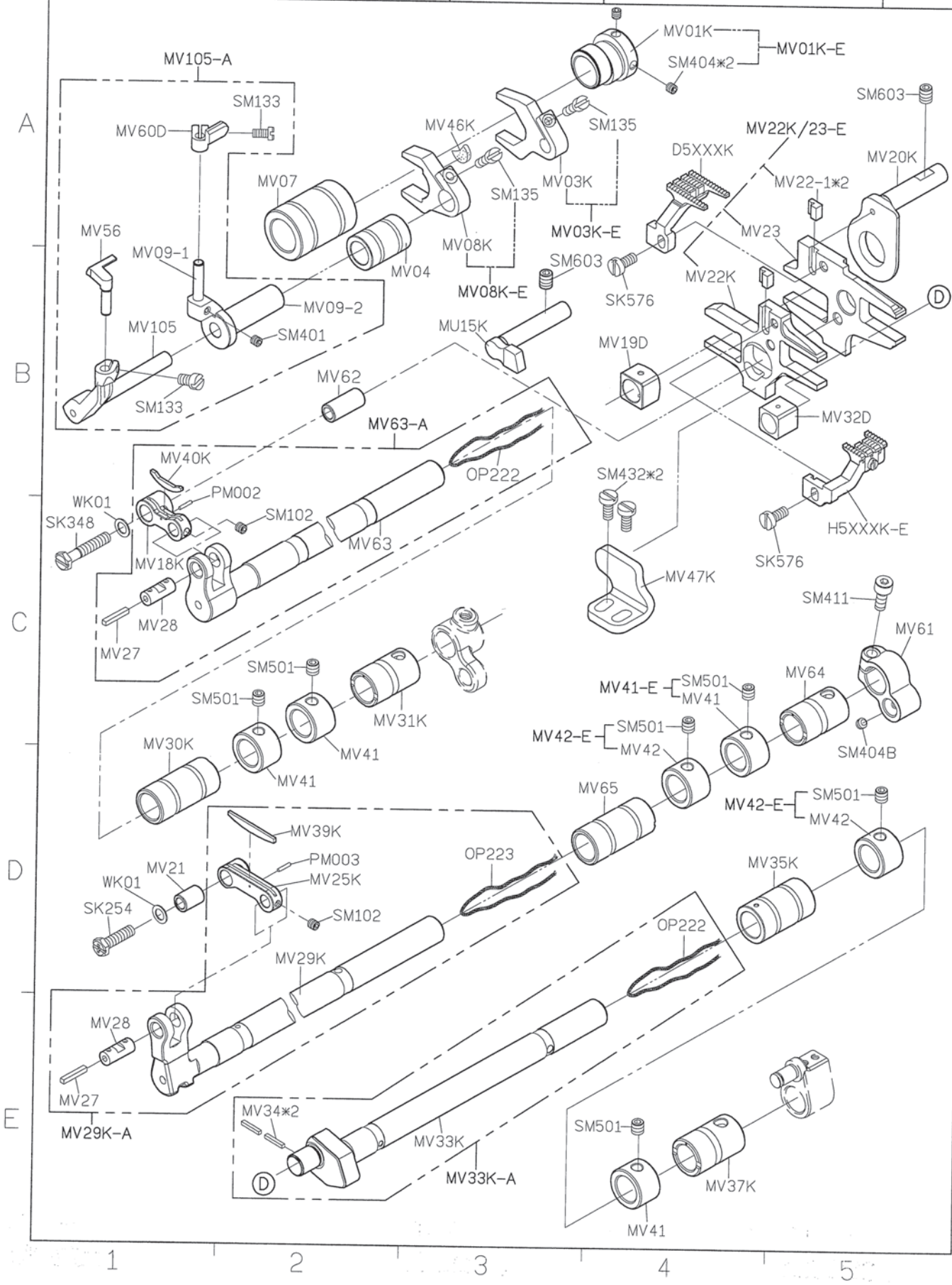
Subclass / Remark

Page

1/1

Date

2019/01/04



1

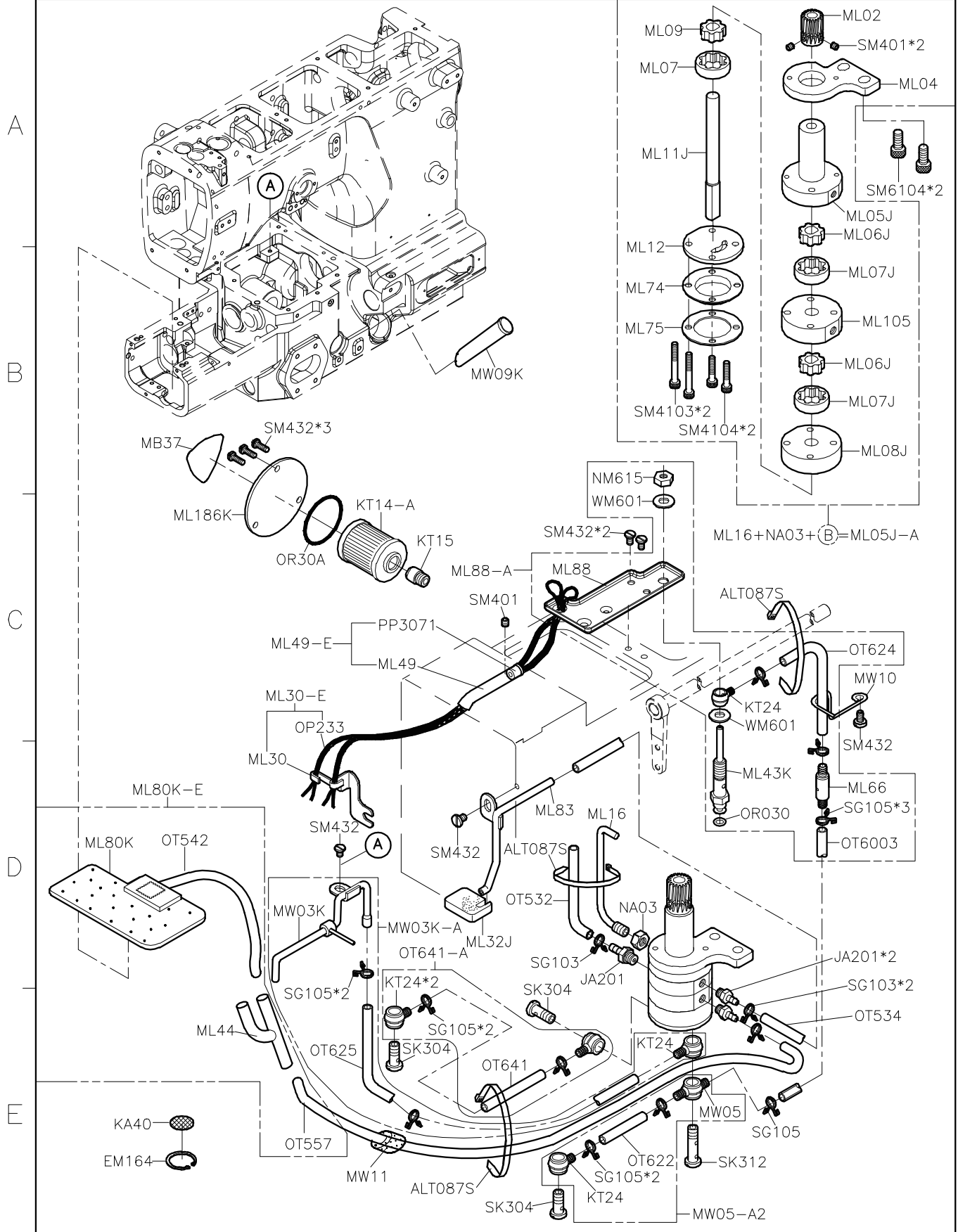
2

3

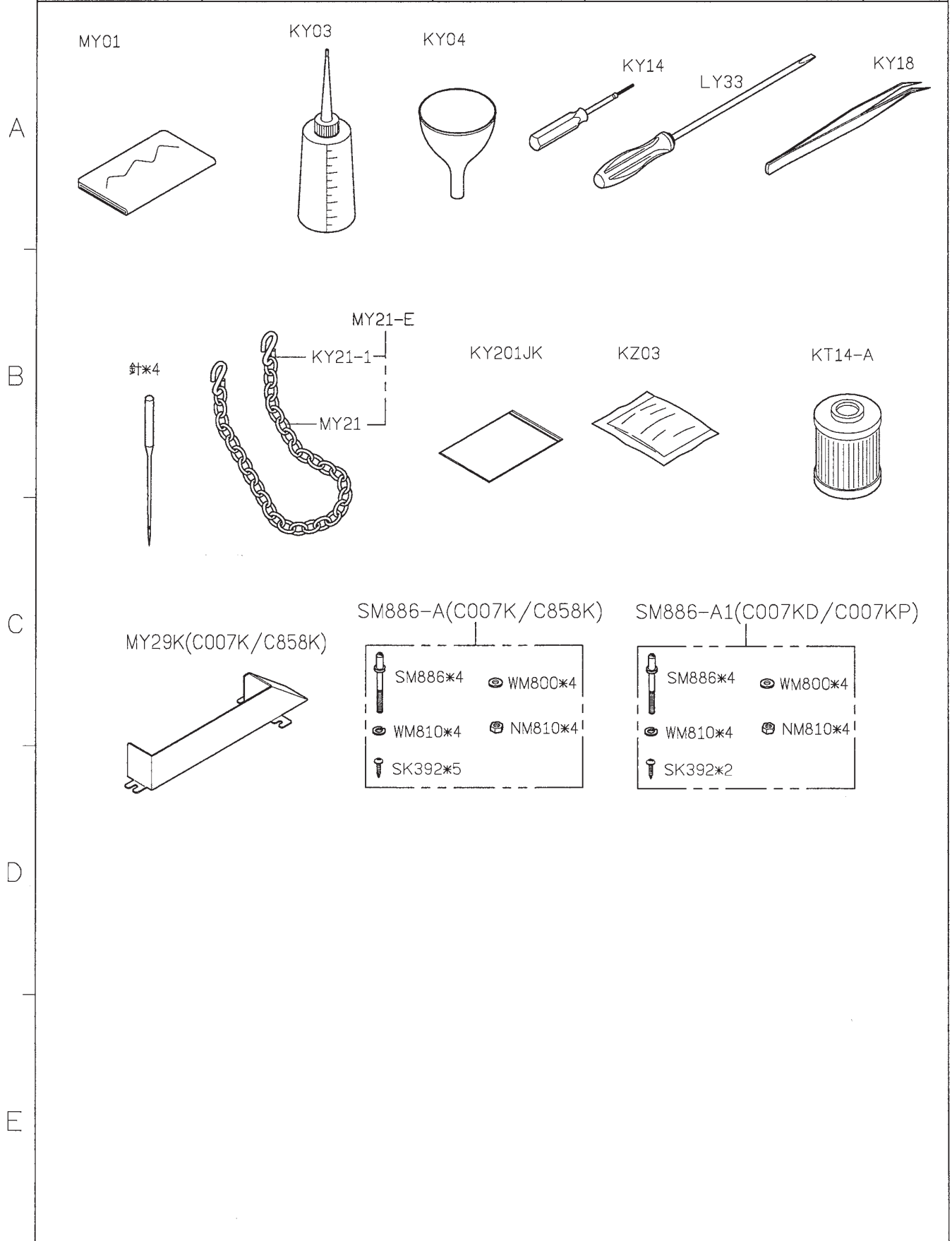
4

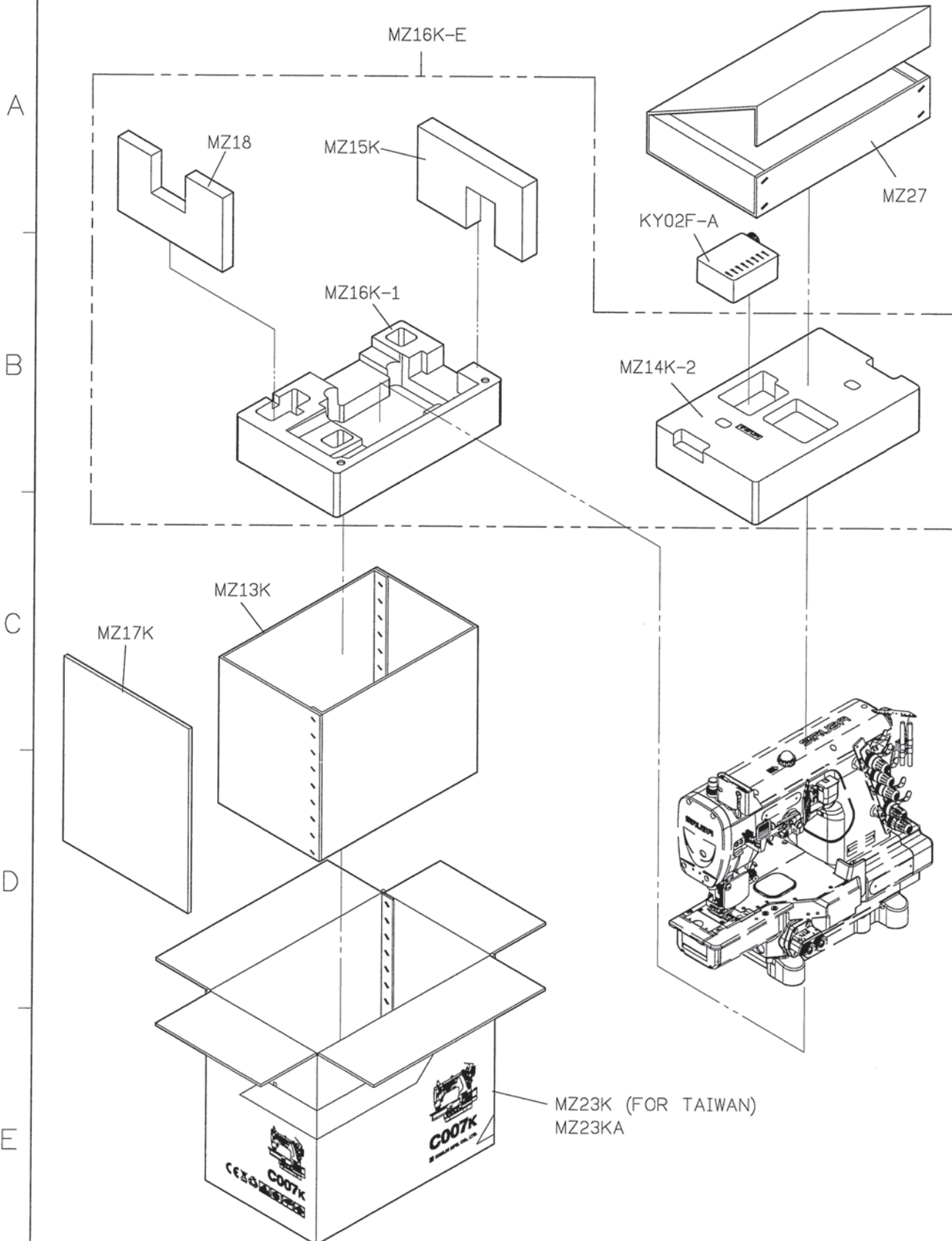
5

| SIRUBA<br>PARTS LIST | Series       | Parts Group | Subclass / Remark | Page       |
|----------------------|--------------|-------------|-------------------|------------|
|                      | C007K/C007KD | MW-K        |                   | 1/1        |
|                      | C858K        |             |                   | Date       |
|                      |              |             |                   | 2020/10/29 |



|                             |                              |             |                   |            |
|-----------------------------|------------------------------|-------------|-------------------|------------|
| <b>SIRUBA</b><br>PARTS LIST | Series                       | Parts Group | Subclass / Remark | Page       |
|                             | C007K/C007KD<br>C007KP/C858K | <b>MY-K</b> |                   | 1/1        |
|                             |                              |             |                   | Date       |
|                             |                              |             |                   | 2021/01/12 |







**SIRUBA**

PARTS LIST

Series

C007KD

Parts Group

MZ-K

Subclass / Remark

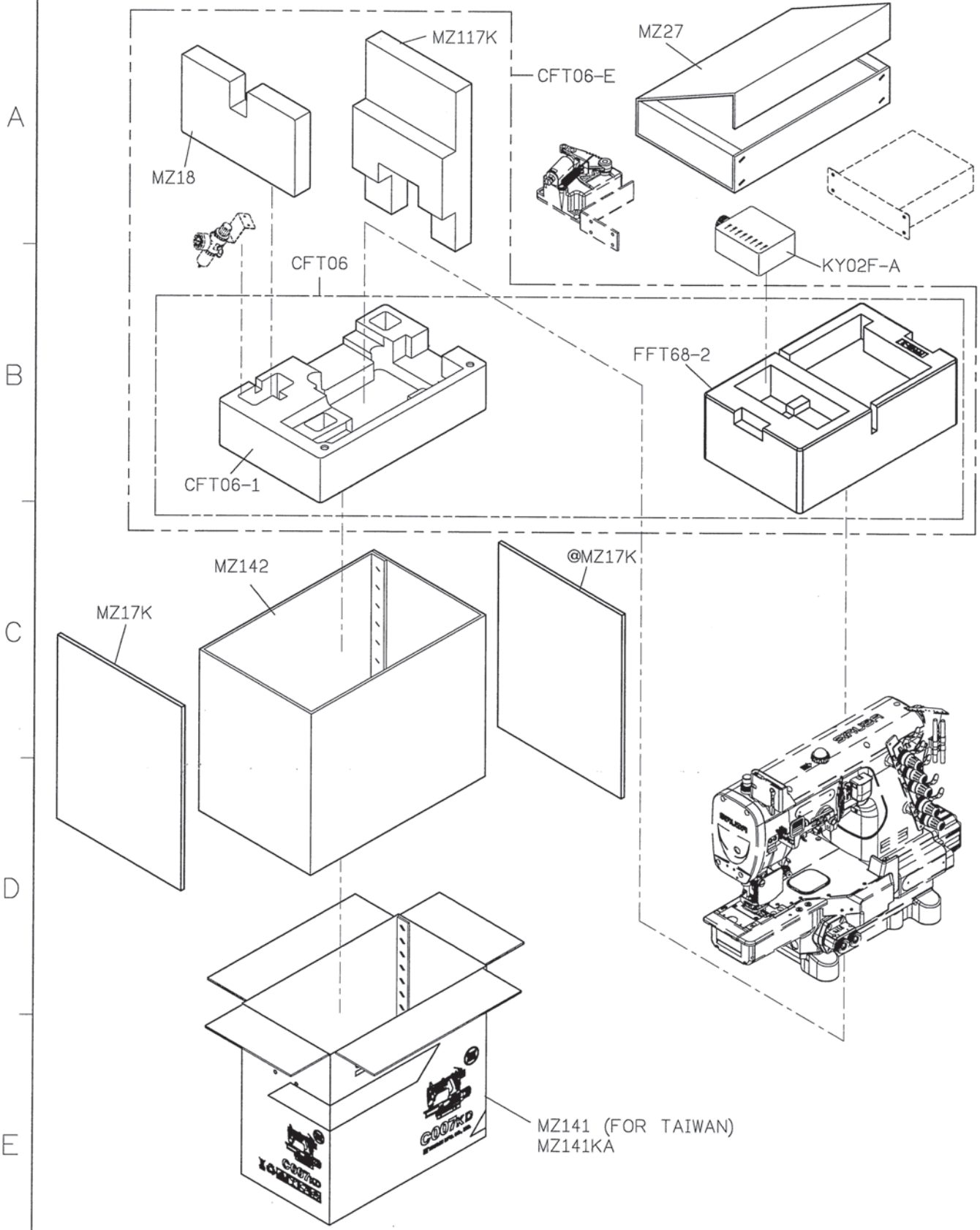
@: Use for Drive Motor+UT

Page

2/2

Date

2018/07/23

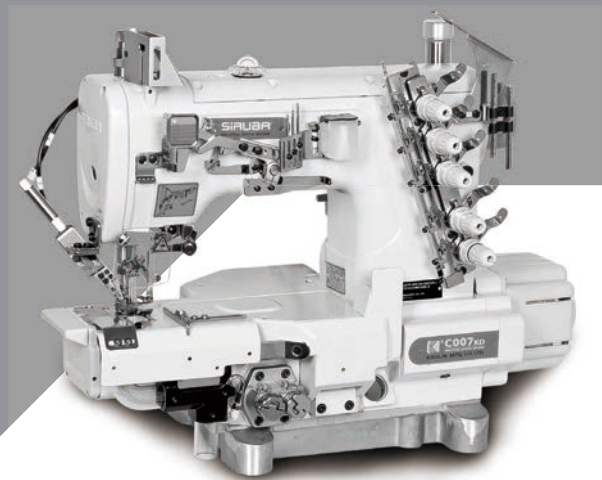


1 2 3 4 5

## 報廢流程

## DEMOLITION PROCEDURE

1. 當機器需要被淘汰與報廢時，有一些基本規則必須採納、遵守以保護環境及公眾健康。
  2. 所有的機器零件必須依照下列分類來區分開：
    - (1) 所有護套、可伸縮軟管及塑膠或非金屬零件。
    - (2) 電器零件：開關、照明器具等。
    - (3) 絕緣材料：石棉、彈性 / 可伸縮橡膠片。
    - (4) 金屬：含鐵金屬、銅、青銅與黃銅、其他各種金屬。
  3. 以此方法，所有材質可以正確的淘汰，回收再利用或熔解為可再使用或再處理而不至於危害環境。
1. When the machine needs to be eliminated and demolished, certain basic rules must be observed to protect the environment and public health.
  2. ALL machine components must be divided according to categories as the followings:
    - (1) All sheathes, flexible hosing and plastic or non-metal components.
    - (2) Electricity components: switches, or lighting components.
    - (3) Insulation materials: rock wool, and Flexible rubber strips.
    - (4) Metals: ferrous metals, copper, bronze and brass, various.
  3. In this way, all materials can be eliminated correctly, recycled, or melted down for reuse or disposed of so that they do not harm the environment.



 高林股份有限公司  
KAULIN MFG. CO., LTD.

由於對產品的改良及更新，本產品使用說明書中與零件圖之產品及外觀的修改恕不事先通知！  
The specification and/or appearances of the equipment described in this instruction book & parts list are subject to change because of modification which will without previous notice.  
MY127K.APR.2021